

# ELM-LED-818

## LED Emergency Light with Battery Back-Up & Remote Capable

Architectural

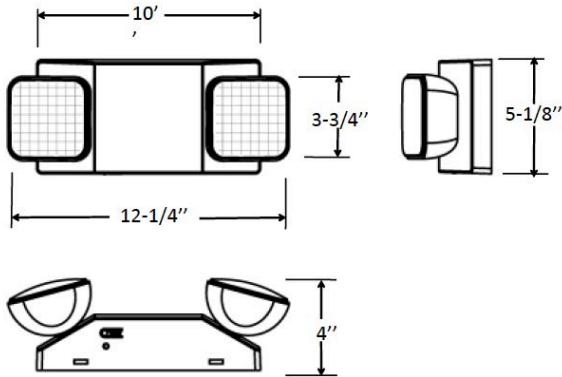
Catalog Number:

Project Name:

Type:

Note:

**MAXILUME**  
ARCHITECTURAL LIGHTING



### Housing

- Injection-molded thermoplastic ABS housing.
- Plastic enclosure with 5VA flame retardant.
- Quick connector design for easy installation.
- Two fully adjustable glare-free square shape light heads for emergency light.

### Electrical

- AC 120-277V 60Hz dual voltage operation.
- Test switch and charge rate indicator.
- 3.6V long-life, maintenance-free, rechargeable Ni-Cad battery.
- 24 hours recharge after 90 minutes discharge.

### Illumination

- SMD 2835 LED, CCT 6000K, L70 35,000 hours.
- 1 watts (6 LEDs) per head for standard model, fixture provide 200lm on initial discharge.
- 1.5 watts (9 LEDs) per head for high lumen model, fixture provide 300lm on initial discharge.

### Mounting

- Suitable for wall mount and ceiling mount.
- Top and side knockout for conduit applications.

### Options

- CT option with self-testing and self-diagnostics.
- RC option with 3.6V3W max. remote capability.
- Multi voltage option with 220-240VAC 50Hz input.

### Listing

- Suitable for use in 10°C-40°C ambient temperature, suitable for damp location.
- UL and cUL listed and meets or exceed all requirement in NFPA 70, NFPA 101 life safety code, suitable for U.S.A and Canada market.
- Meet CALIFORNIA ENERGY COMMISSION TITLE 20 APPLIANCE EFFICIENCY REGULATIONS.

ELM-LED-818 - ITEM SELECTOR: (Please check the boxes below for the option desired)

| HOUSING COLOR                      | CANOPY                             |
|------------------------------------|------------------------------------|
| <input type="checkbox"/> W - White | UNIVERSAL MOUNT TO WALL OR CEILING |
| <input type="checkbox"/> B - Black |                                    |



Specified:

ELM-LED-818

HOUSING COLOR

**MAXILUME**  
ARCHITECTURAL LIGHTING

A division of  
**Elite Lighting**

Submittal form is available @ [www.maxilume.com](http://www.maxilume.com)  
Tel: 323-888-1973 • Fax: 323-888-1977

Specifications and Dimensions  
subject to change without notice.

REV: MAXILUME-SPEC-03-07-2022