

# ELM-LED-807

## Outdoor Die-Cast LED Emergency Light with Battery Back-Up

Architectural

Catalog Number:

Project Name:

Type:

Note:

**MAXILUME**  
ARCHITECTURAL LIGHTING

Self Diagnostic Test

**NEW**



### FEATURES

This luminaire is an excellent choice when an attractive emergency light is required. In case of AC power loss, it provides a minimum of 120 minutes of illumination. A trouble-free lead-calcium battery and integral photocell is provided with the luminaire, with a mirror-bright reflector and prismatic polycarbonate refractor.

### HOUSING

- Decorative, low-profile, architectural design
- Die-cast aluminum housing
- Durable powder coat finishes in white, black and bronze
- Sealed and gasketed

### MOUNTING

- Surface mount via easy connect back plate that fits most standard size junction boxes
- Conduit mount via rigid conduit entry provision on top of the unit.

### ELECTRICAL

- Dual 120V/277V
- Charge rate/power "ON" LED indicator light and push to test switch for mandated code compliance testing
- Can be used in AC mode and EMG mode

### LAMPS

- Long lasting, efficient ultra-bright white LED
- 6W LED per unit

### BATTERY

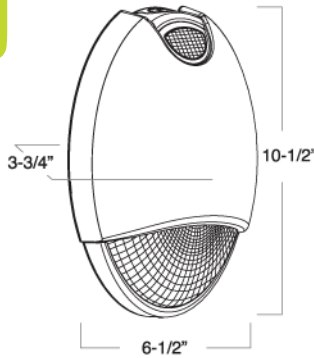
- 4.8V long-life, maintenance-free, rechargeable NiCd battery
- Internal solid-state transfer switch automatically connects the internal battery to LED board for minimum 90-minute emergency illumination.
- Fully automatic solid-state, two-rate charger initiates battery charging to recharge a discharged battery in 24 hours

### TESTING

- Test Button
- Solid state line latched low voltage disconnect to avoid deep discharge
- Safeguarded against short circuits
- Power is automatically interrupted in cases of brown-out

### WARRANTY/LISTING

- 5 year warranty on all electronics and housing (Battery pro-rated for five years)
- Meets UL924 NFPA101 Life Safety Code, NEC, OSHA, Local and State Codes.
- UL for wet locations (0°-50°C)



### OPTIONS

- Internal Heater for cold temperature applications lets the fixture work at the temperatures down to -10°C / 15°F

### LISTING

- UL listed for 10°C - 40°C
- Wet location

ELM-LED-807 - ITEM SELECTOR: (Please check the boxes below for the option desired)

HOUSING COLOR	OPTIONS
<input type="checkbox"/> WH - White	<input type="checkbox"/> HTR - Internal Heater
<input type="checkbox"/> BZ - Bronze	
<input type="checkbox"/> BK - Black	
<input type="checkbox"/> AL Aluminum	

Specified:

ELM-LED-807

HOUSING COLOR

OPTIONS

**5 YEAR**  
Limited Warranty



**MAXILUME**  
ARCHITECTURAL LIGHTING

A division of  
**Elite Lighting**

Submittal form is available @ [www.maxilume.com](http://www.maxilume.com)  
Tel: 323-888-1973 • Fax: 323-888-1977

Specifications and Dimensions  
subject to change without notice.

REV: MAXILUME-SPEC-03-10-2011

# ELM-LED-807

## Outdoor Die-Cast LED Emergency Light with Battery Back-Up

Architectural

Catalog Number:

Project Name:

Type:

Note:

**MAXILUME**  
ARCHITECTURAL LIGHTING

ELM-LED-807

TEST NO.: EL12131939

INPUT WATTS: 3.5

LUMENS: 319

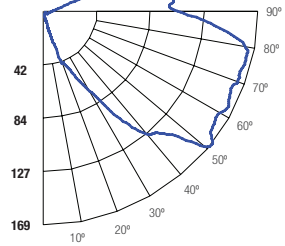
CRI: N/A

EFFICACY: 91

CCT: N/A

SPACING CRITERIA: 3.98

### Candle Power Distribution (Candelas)



### Zonal Lumens Summary

Zone	Lumens	%Lamp	%Fixt
0-20	4.64	1.50	1.50
0-30	13.40	4.20	4.20
0-40	31.18	9.80	9.80
0-60	101.72	31.90	31.90
0-80	200.06	62.80	62.80
0-90	247.48	77.70	77.70

### Luminance (Average candela/M<sup>2</sup>)

Angle in Degrees	Average 0°	Average 45°	Average 90°
45	199	360	905
55	165	332	975
65	183	328	1150
75	382	440	1575
85	1493	1222	3331

### Lumens Per Zone

Zone	Lumens
0-10	0.90
10-20	3.74
20-30	8.76
30-40	17.78
40-50	29.87
50-60	40.67
60-70	47.81
70-80	50.53
80-90	47.42

### Candela Tabulation

Q	
0	8.505
5	6.760
15	4.760
25	3.180
35	2.080
45	1.310
55	0.880
65	0.720
75	0.920
85	1.210
90	1.350

### Coefficients of Utilization - Zonal Cavity Method

Effective Floor Cavity Reflectance 0.20

RC	80%				70%				50%				30%				10%				0%
	RW	70%	50%	30%	10%	70%	50%	30%	10%	50%	30%	10%	50%	30%	10%	50%	30%	10%	0%		
0	114	114	114	114	108	108	108	108	99	99	99	90	90	90	82	82	82	78	78		
1	96	88	81	74	91	83	77	71	75	69	65	67	63	59	59	56	53	49	49		
2	84	72	62	54	79	68	59	52	61	53	47	54	48	42	47	42	38	34	34		
3	75	60	50	41	70	57	47	39	51	42	35	45	38	32	39	33	29	25	25		
4	67	52	41	32	63	49	39	31	43	35	28	38	31	25	33	27	22	19	19		
5	61	45	34	26	57	42	32	25	38	29	22	33	26	20	29	23	18	15	15		
6	55	40	29	21	52	37	28	20	33	25	18	29	22	17	26	19	15	12	12		
7	51	35	25	18	48	33	24	17	30	21	15	26	19	14	23	17	12	10	10		
8	47	32	22	15	44	30	21	15	27	19	13	24	17	12	21	15	10	8	8		
9	44	29	19	13	41	27	18	13	24	17	11	21	15	10	19	13	9	7	7		
10	41	26	17	12	38	25	16	11	22	15	10	20	13	9	17	12	8	6	6		

ROOM CAVITY RATIO

RC - Ceiling Cavity Reflectance

RW - Wall Reflectance

### Cone of Light

2	2.94	2.5	3.5
4	0.78	4.8	6.9
6	0.34	7.3	10.4
8	0.19	9.7	14.0
10	0.12	12.1	17.3
12	0.09	14.5	20.8

BEAM DIA. MEASURED AT 50% OF NADIR F.C.