

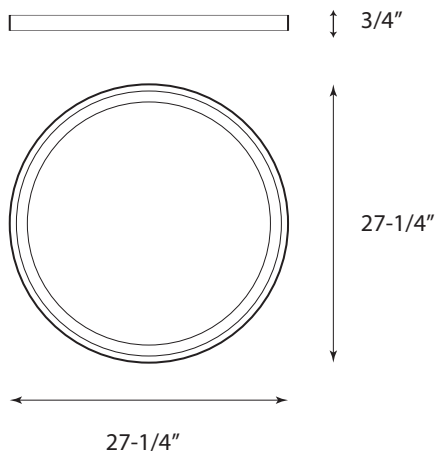
DISC-LED

DISC LED PENDANT SERIES

UP TO
3000
LUMENS



DIMENSIONS:



Catalog Number:

Project Name:

Type:

Note:

ORACLE
LIGHTING

3794
LUMENS
46
WATT

APPLICATION - Disc is a simple, modern pendant luminaire. Its slim profile can add simplicity and beauty in various applications from residential, commercial, educational or hospitality. Disc is an excellent choice when modern simplicity is desired.

CONSTRUCTION - Rigid aluminum design ensures longevity and endurance plus a high quality, high transmission, glare free lens for smooth illumination that is edge lit.

PERFORMANCE - Edge lit light engines found in the Disc are rated at 80+ CRI and are available in multiple CCTs: 3000K, 3500K and 4000K. Rated and tested to LM-79 and LM-80 standards. The LEDs are also binned to a 3-step MacAdam ellipse to achieve consistent color from fixture to fixture.

ELECTRICAL - Powered by high-quality constant-current power LED drivers which are rated for 50 to 60Hz at 120-277V input, produce less than 20% THD, and have a power factor of .90 to 1.00.

DIMMING - The DISC-LED comes standard with 0-10V dimming on either in 120 and 277V. 347V please consult factory. Dimmable down to 1% of initial lumens. Also available in Lutron dimming options. Consult factory for dimmer compatibility.

MOUNTING - Comes standard in suspended mount or adjustable cable suspension system providing fast installation into a variety of interior heights, including sloped ceilings. Consult factory for additional mounting options.

QUALITY CONTROL - Every fixture is rigorously tested by our QC Department before shipping.

WARRANTY - Limited 5 Year Warranty

EXAMPLE: DISC-LED-2-3000L-DIM10-MVOLT-40K-WH-SM

SERIES	SIZE	LUMENS - DIMMING	CCT	EMERGENCY	COLOR	MOUNTING OPTION
DISC-LED	2' (2.2')	<input type="checkbox"/> 3000L-DIM10-MVOLT <input type="checkbox"/> 3000L-LUTH-MVOLT <input type="checkbox"/> 3000L-DIMTR-120	<input type="checkbox"/> 30K <input type="checkbox"/> 35K <input type="checkbox"/> 40K	<input type="checkbox"/> EMG-LED Remote Mounted for Surface Mount	<input type="checkbox"/> WH (Matt White) Custom color available, please consult factory. Must provide RAL#	<input type="checkbox"/> SM-10' Suspended Mount (Consult factory for other sizes)

PHOTOMETRY DATA

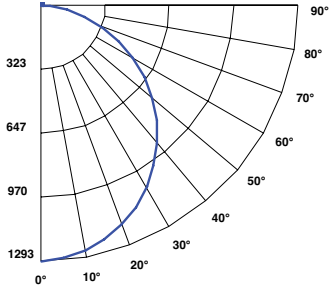
DISC-LED-2-3000L-DIM10-MVOLT-40K-WH

WATTAGE: 46.3

LUMENS: 3794

TOTAL LUMINAIRE EFFICACY: 82

Candle Power Distribution (Candelas)



Spacing Criteria

0-180 : 1.42
 90-270 : 1.42
 Diagonal : 1.56

EFFICACY: 82 LM/W

Zonal Lumens Summary

Zone	Lumens	%Lamp	%Fixt
0-30°	1001.3	26.40	26.40
0-40°	1638.67	43.30	43.20
0-60°	2908.99	76.80	76.70
0-90°	3752.8	99.10	98.90
0-180°	3793.84	100.20	100.00

Luminance Data (cd/sq.m)

Angle In Degrees	Average 0°	Average 45°	Average 90°
45°	12478	12849	13321
55°	11833	12361	12996
65°	10887	11638	12549
75°	9379	10620	12086
85°	5033	8032	11707

Candela Tabulation

	0	45	90
0	1293.304	1293.304	1293.304
5	1281.080	1284.490	1288.990
15	1224.010	1233.710	1246.680
25	1123.430	1139.140	1158.810
35	986.640	1007.400	1033.490
45	820.450	844.900	875.900
55	631.160	659.290	693.170
65	427.840	457.350	493.160
75	225.730	255.610	290.880
85	40.790	65.100	94.880
90	2.730	2.560	13.670

Coefficients of Utilization - Zonal Cavity Method

Effective Floor Cavity Reflectance 20% = PF

ROOM CAVITY RATIO	RC RW	80%				70%				50%				30%				10%				0%			
		70%	50%	30%	10%	70%	50%	30%	10%	50%	30%	10%	50%	30%	10%	50%	30%	10%	50%	30%	10%	0%			
0	119	119	119	119	116	116	116	116	111	111	111	106	106	106	101	101	101	99							
1	108	103	99	95	105	101	97	93	96	93	90	92	90	87	89	86	84	82							
2	98	90	83	77	95	88	81	76	84	79	74	81	76	72	77	74	70	68							
3	89	79	70	64	87	77	69	63	74	67	62	71	65	61	68	63	59	57							
4	82	70	61	54	79	68	60	53	66	58	52	63	57	52	61	55	51	49							
5	75	62	53	46	73	61	52	46	59	51	45	57	50	45	55	49	44	42							
6	69	56	47	40	67	55	46	40	53	45	40	51	44	39	49	43	39	37							
7	64	51	42	36	62	50	41	35	48	41	35	47	40	35	45	39	34	32							
8	60	46	38	32	58	45	37	32	44	37	31	43	36	31	41	35	31	29							
9	56	42	34	28	54	42	34	28	40	33	28	39	33	28	38	32	28	26							
10	52	39	31	26	51	38	31	26	37	30	26	36	30	25	35	29	25	23							

RC - Ceiling Cavity Reflectance

RW - Wall Reflectance

