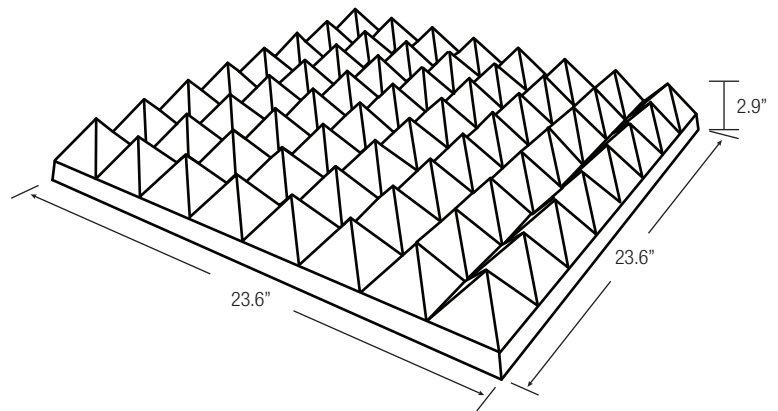
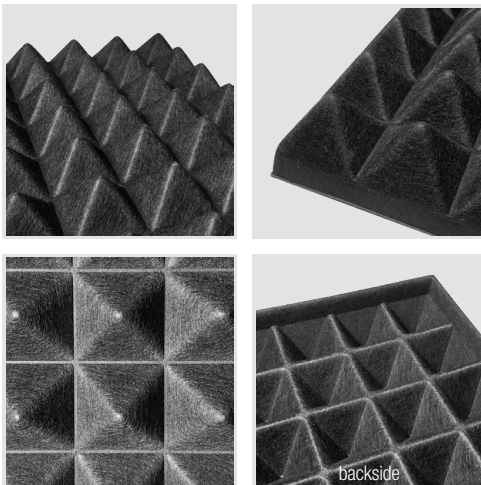


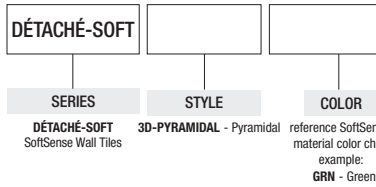


Détaché are acoustic wall tiles. Place them on any surface to reduce the reverberation rate. Perfect for open-concept spaces to minimize distractions, increase focus, and bring a peace for everyone.

"3D-Pyramidal" is visually similar to standard acoustic panels used in music rooms. These 3D tiles are available in a large variety of colors, giving you the freedom to mix and match them in endless variations to create a design that suits your space.



Example: DÉTACHÉ-SOFT-3D-PYRAMIDAL-GRN



SOFTSENSE MATERIAL COLOR CHART

ASTM E84-16 Fire Rated*



custom colors available,
please consult factory.



Declare.
Label Pending

ACOUSTIC MATERIAL

Our material is made from 100% polyethylene terephthalate (PET), with 50% post-consumer recycled material. PET is a moisture resistant green product with no added chemicals, binders, adhesives or dyes.

ACOUSTIC TILE PERFORMANCE

Acoustic performance of specific fixture / product will greatly vary based on mounting, installation, and configuration in a space.

Noise Reduction Coefficient (NRC) - 0.55

NRC is a widely used standard to test sound absorption for 2-dimensional objects. It is the average absorption coefficient obtained from four key 1/3 octave frequencies: 250, 500, 1000, 2000 Hz.

MAINTENANCE / CARE

Acoustic material can be cleaned with a clean, soft, lint-free cloth or a vacuum.

WARRANTY

Limited 5-year Warranty. Please consult factory.

LISTINGS

ASTM E-84 Fire Rated
SCS Recycled Content Certified

PRODUCT SPECIFICS

exact size = 600 mm x 600 mm x 74 mm
weight - 2.43 lbs per tile

MINI GUIDE / ADVICE

Consider the dimensions of your space and the direction in which you would like to place this product.

How would you prefer to mount this product? This product has a hollow back and is built like a shell. You may use any type of adhesive that is appropriate for your space. You may also nail these to the surface that they will be applied to.

We advise ordering a few extras as back-up incase of any accidents and to cover any potentially exposed corners / edges.

*all colors are ASTM E84-16 fire rated, select colors are available as Class A