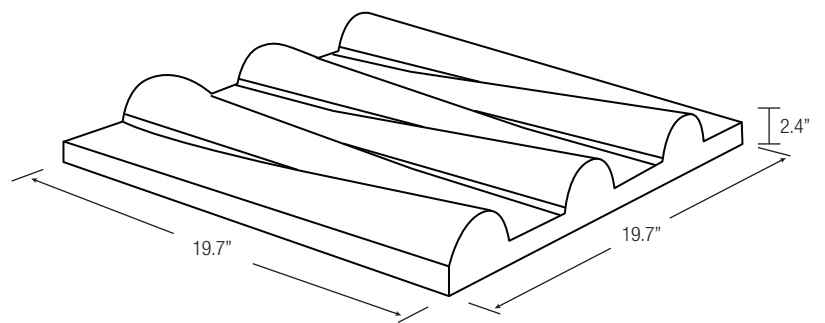


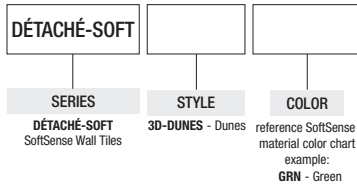


Détaché are acoustic wall tiles which can be placed on any surface to reduce a space's reverberation rate. Perfect for minimizing distractions and increasing focus in open-concept spaces.

"Dunes" 3D-tiles are inspired by ridges and curves of desert sand dunes, and utilize repeated undulation to give a room a sense of minimalist texture. These tiles are available in a variety of mix and matchable colors.



Example: **DÉTACHÉ-SOFT-3D-DUNES-GRN**



Declare.
Label Pending

SOFTSENSE MATERIAL COLOR CHART

ASTM E84-16 Fire Rated*



custom colors available,
please consult factory.



ACOUSTIC MATERIAL

Our material is made from 100% polyethylene terephthalate (PET), with 50% post-consumer recycled material. PET is a moisture resistant green product with no added chemicals, binders, adhesives or dyes.

ACOUSTIC TILE PERFORMANCE

Acoustic performance of specific fixture / product will vary based on mounting, installation, and configuration in a space.

Noise Reduction Coefficient (NRC) - 0.6

NRC is a widely used standard to test sound absorption for 2-dimensional objects. It is the average absorption coefficient obtained from four key 1/3 octave frequencies: 250, 500, 1000, 2000 Hz.

MAINTENANCE / CARE

Acoustic material can be cleaned with a clean, soft, lint-free cloth or a vacuum. For spills and stains, spot treat with mild detergent. Please test on a hidden corner before treating.

WARRANTY

5-year warranty for parts and components (labor not included).

LISTINGS

ASTM E-84 Fire Rated
SCS Recycled Content Certified

PRODUCT SPECIFICS

exact size = 500 mm x 500 mm x 60 mm
weight - 1.76 lbs per tile

ADVICE - how would you prefer to mount this product?

For best acoustic results and pattern making, consider the dimensions of your space, placement direction, and even the type of surface you would like to place this product on.

This product has a hollow back and is built like a shell. Any type of adhesive appropriate for the space may be used. The product may also be nailed to the surface it will be applied to.

Ordering back-up quantities is advised in case of accidents and to help cover exposed corners or edges.

*all colors are ASTM E84-16 fire rated, select colors are available as Class A