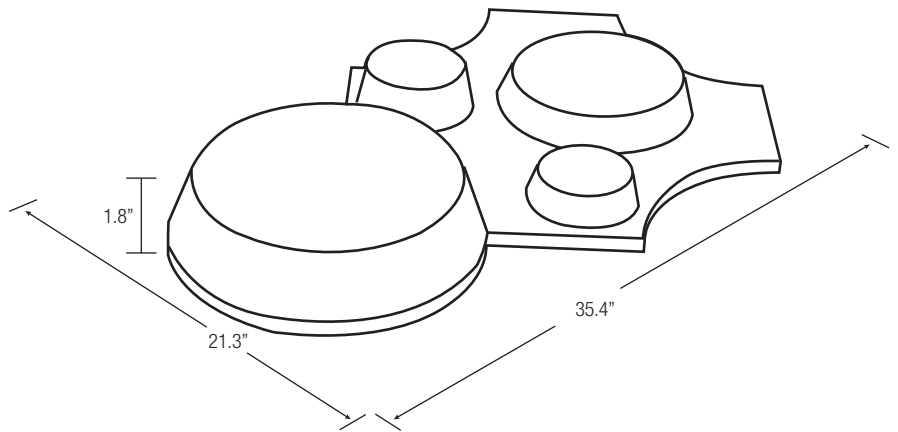
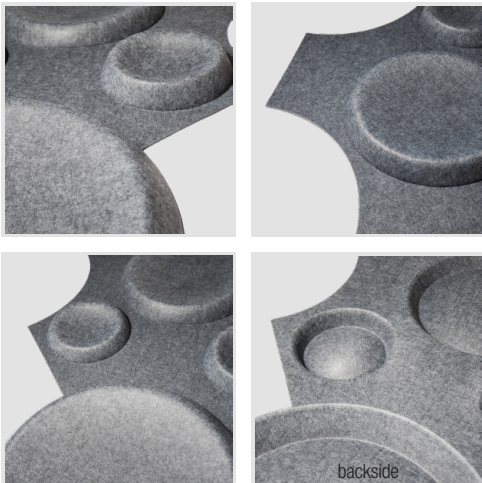


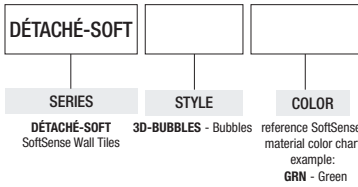


Détaché are acoustic wall tiles which can be placed on any surface to reduce a space's reverberation rate. Perfect for minimizing distractions and increasing focus in open-concept spaces.

These uniquely patterned 3D tiles are available in a large variety of colors that can be mixed and matched to reduce noise and play with contrast, negative space, and add "bubbly" texture to a room.



Example: **DÉTACHÉ-SOFT-3D-BUBBLES-GRN**



**SOFTSENSE MATERIAL COLOR CHART**

ASTM E84-16 Fire Rated\*



custom colors available,  
please consult factory.



**Declare.**  
Label Pending

**ACOUSTIC MATERIAL**

Our material is made from 100% polyethylene terephthalate (PET), with 50% post-consumer recycled material. PET is a moisture resistant green product with no added chemicals, binders, adhesives or dyes.

**ACOUSTIC TILE PERFORMANCE**

Acoustic performance of specific fixture / product will vary based on mounting, installation, and configuration in a space.

Noise Reduction Coefficient (NRC) - 0.3

NRC is a widely used standard to test sound absorption for 2-dimensional objects. It is the average absorption coefficient obtained from four key 1/3 octave frequencies: 250, 500, 1000, 2000 Hz.

**MAINTENANCE / CARE**

Acoustic material can be cleaned with a clean, soft, lint-free cloth or a vacuum. For spills and stains, spot treat with mild detergent. Please test on a hidden corner before treating.

**WARRANTY**

5-year warranty for parts and components (labor not included).

**LISTINGS**

ASTM E-84 Fire Rated  
SCS Recycled Content Certified

**PRODUCT SPECIFICS**

exact size = 900 mm x 540 mm x 45 mm  
weight - 1.98 lbs per tile

**ADVICE - how would you prefer to mount this product?**

For best acoustic results and pattern making, consider the dimensions of your space, placement direction, and even the type of surface you would like to place this product on.

This product has a hollow back and is built like a shell. Any type of adhesive appropriate for the space may be used. The product may also be nailed to the surface it will be applied to.

Ordering back-up quantities is advised in case of accidents and to help cover exposed corners or edges.

\*all colors are ASTM E84-16 fire rated, select colors are available as Class A