

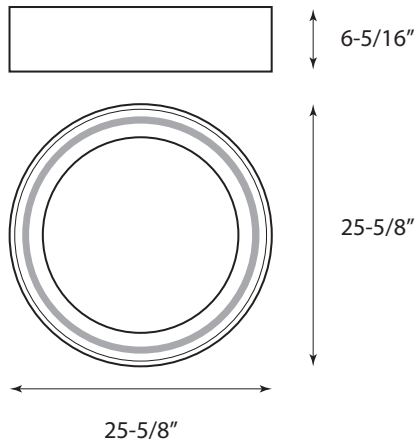
CIRCA-LED

UP TO
2000
LUMENS

CIRCA LED PENDANT SERIES



DIMENSIONS:



Catalog Number:

Project Name:

Type:

Note:

ORACLE
LIGHTING

2054
LUMENS

31
WATT

APPLICATION - Circa has the ability to add a new architectural element to a space. It can blend perfectly into a modern and/ or retro décor by customizing inner ring chroma. Circa is an ideal solution for a chic hotel or retro inspired setting by adding an architectural appearance to emphasize a desired space.

CONSTRUCTION - Rigid aluminum design ensures longevity and endurance plus a high quality, high transmission, glare free lens for smooth illumination. Circa offers optional color on the inner lens for architectural detail.

PERFORMANCE - The honeycomb light engines found in the Circa is rated at 80+ CRI and are available in multiple CCTs: 3000K, 3500K and 4000K. Rated and tested to LM-79 and LM-80 standards. The LEDs are also binned to a 3-step MacAdam ellipse to achieve consistent color from fixture to fixture.

ELECTRICAL - Powered by high-quality constant-current power LED drivers which are rated for 50 to 60Hz at 120-277V input, produce less than 20% THD, and have a power factor of .90 to 1.00.

DIMMING - The CIRCA-LED comes standard with 0-10V dimming on either in 120 and 277V. 347V please consult factory. Dimmable down to 1% of initial lumens. Also available in Lutron dimming options. Consult factory for dimmer compatibility.

MOUNTING - Comes standard in ceiling mount or adjustable cable suspension system providing fast installation into a variety of interior heights, including sloped ceilings. Consult factory for additional mounting options.

QUALITY CONTROL - Every fixture is rigorously tested by our QC Department before shipping.

WARRANTY - Limited 5 Year Warranty

EXAMPLE: CIRCA-LED-2-1500L-DIM10-MVOLT-40K-WH-CM

SERIES	SIZE	LUMENS - DIMMING	CCT	EMERGENCY	COLOR	RING COLOR	MOUNTING OPTION
CIRCA-LED	2' (2')	<input type="checkbox"/> 2000L-DIM10-MVOLT <input type="checkbox"/> 2000L-LUTH-MVOLT <input type="checkbox"/> 2000L-DIMTR-120	<input type="checkbox"/> 30K <input type="checkbox"/> 35K <input type="checkbox"/> 40K	<input type="checkbox"/> EMG-LED Remote Mounted for Surface Mount	<input type="checkbox"/> WH (White) <input type="checkbox"/> SI (Silver) Custom color available, please consult factory. Must provide RAL#	<input type="checkbox"/> RED <input type="checkbox"/> BLUE <input type="checkbox"/> GREEN Custom color available, please consult factory. Must provide RAL#	<input type="checkbox"/> CM-Ceiling Mount <input type="checkbox"/> SM-10' Suspended Mount (Consult factory for other sizes)

PHOTOMETRY DATA

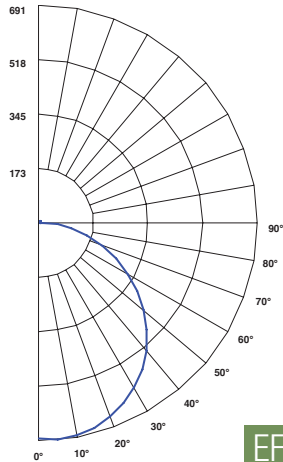
CIRCA-LED-2-2000L-DIM10-MVOLT-40K-WH-RED

WATTAGE: 31

LUMENS: 2054

TOTAL LUMINAIRE EFFICACY: 66

Candle Power Distribution (Candelas)



Zonal Lumens Summary

Zone	Lumens	%Lamp	%Fixt
0-30°	534.48	26.10	26.00
0-40°	881.85	43.00	42.90
0-60°	1574.25	76.70	76.60
0-90°	2032.05	99.10	98.90
0-180°	2054.32	100.10	100.00

Luminance Data (cd/sq.m)

Angle In Degrees	Average 0°	Average 45°	Average 90°
45°	605	596	584
55°	587	579	564
65°	559	546	532
75°	521	498	481
85°	539	500	482

Candela Tabulation

	0	45	90
0	682.608	682.608	682.608
5	680.740	677.140	675.230
15	664.550	660.420	656.450
25	638.790	631.980	622.870
35	584.770	577.290	566.690
45	499.650	492.620	482.440
55	393.500	387.760	378.200
65	276.010	269.730	262.500
75	157.480	150.560	145.520
85	54.930	50.900	49.050
90	12.870	11.760	12.520

Spacing Criteria

0-180	: 1.34
90-270	: 1.32
Diagonal	: 1.40

EFFICACY: 66 LM/W

Coefficients of Utilization - Zonal Cavity Method

Effective Floor Cavity Reflectance 20% = PF

RC RW	80%				70%				50%				30%				10%				0%			
	70%	50%	30%	10%	70%	50%	30%	10%	50%	30%	10%	50%	30%	10%	50%	30%	10%	50%	30%	10%	0%			
0	119	119	119	119	116	116	116	116	111	111	111	106	106	106	101	101	101	101	101	99	99			
1	108	103	99	95	105	101	97	93	96	93	90	92	90	87	88	86	84	88	86	84	82			
2	98	90	83	77	95	88	81	76	84	78	74	80	76	72	77	74	70	77	74	70	68			
3	89	79	70	64	87	77	69	63	74	67	62	71	65	60	68	63	59	68	63	59	57			
4	82	69	60	54	79	68	60	53	65	58	52	63	57	51	61	55	51	61	55	51	48			
5	75	62	53	46	73	61	52	46	58	51	45	56	50	45	54	49	44	54	49	44	42			
6	69	56	47	40	67	55	46	40	53	45	39	51	44	39	49	43	39	49	43	39	36			
7	64	50	42	35	62	50	41	35	48	40	35	46	40	34	45	39	34	45	39	34	32			
8	60	46	37	31	58	45	37	31	44	36	31	42	36	31	41	35	31	41	35	31	29			
9	56	42	34	28	54	42	34	28	40	33	28	39	32	28	38	32	27	38	32	27	26			
10	52	39	31	26	51	38	31	25	37	30	25	36	30	25	35	29	25	35	29	25	23			

RC - Ceiling Cavity Reflectance

RW - Wall Reflectance

