

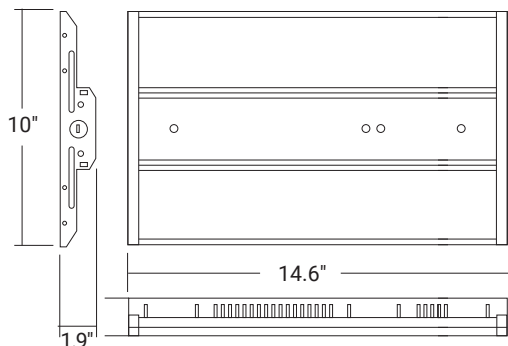
ADJUSTABILITY



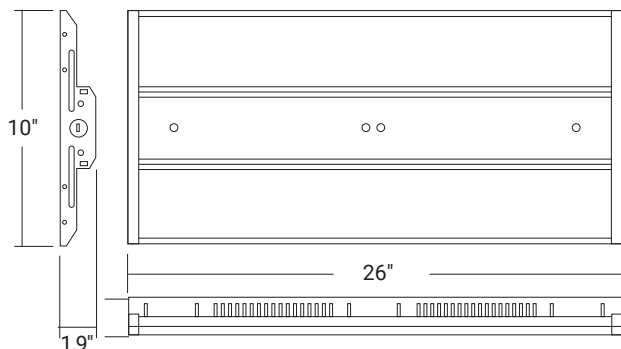
EASY 4 COLORS
SELECTOR
3000K • 3500K • 4000K • 5000K

DIMENSION

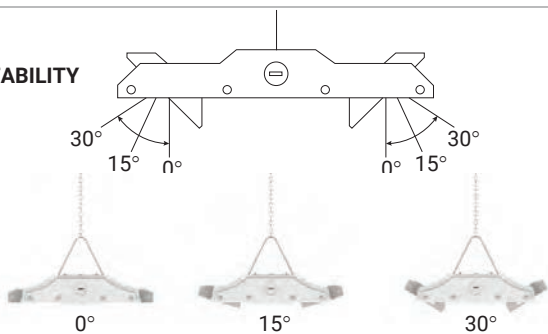
80W | 110W | 150W



165W | 190W | 220W



ADJUSTABILITY



Rotation light bar angle Function
Lightbar can rotate to 3 steps 0°/15°/30°
for different applications.

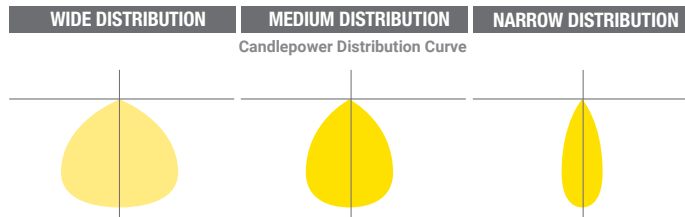
FEATURES

The CB2-CPA-LED is a highly efficient LED luminaire ideal for large interior spaces with high mounting heights that require uniform general illumination. Available in extremely handy design feature, can quickly adjust light output, CCT and beam spread as needed to acquire the ideal spread of illumination. Designed as a replacement for conventional linear fluorescent and HID high bays found in manufacturing facilities,

LUMENS	12000, 15000, 21000L 24000L, 27000L, 30000L
CCT	30K/35K/40K/50K
CRI	85+ Standard
COLOR QUALITY	3 Step MacAdam Ellipse
MOUNTING	Suspended, Ceiling and Stem mount
DISTRIBUTION	Wide (WD), Medium (MD), Narrow (ND)
DIMMING	0-10V Flicker Free 5% Dimming Standard (DIM10)
EMERGENCY	10W - Up to 1000L output 20W - Up to 2000L output EMG-LED-G2-10W-SDT - Self Diagnostic (Consult Factory) EMG-LED-G2-20W-SDT - Self Diagnostic (Consult Factory) GTD-UL924
LIFETIME	L70 at 167,000 Hours
PHOTOMETRIC TESTS	In Accordance with IES LM79-08, LM80 and TM-30, TM-21

NOMINAL LUMENS	DELIVERED LUMENS	WATTAGE
30000	27318	213W
27000	24874	189W
24000	22913	169W
21000	17661	136W
15000	14951	110W
12000	12256	87W

Based on 4000K, 85+ CRI. Actual wattage may vary +/- 5%



OPTICAL SYSTEM

The luminaire provides a Wide (W) distribution with different shielding options and ships standard with a frosted PC lens to protect the LED light engines from dust and damage. The LED optic reflector is made of 95% reflective MIRO-5 aluminum material, engineered to optimize performance for 93% total fixture efficiency. The individual angled channels of the reflector help reduce the glare of high angle light emitted by the diodes.

MAINTENANCE

The LED engines and driver can be accessed through the bottom by removing the lamp shields. Angled sides and vents prevent dust from settling inside and near the LED components, resulting in low-maintenance. The LED engines and drivers are removeable and upgradeable even after luminaire installation. Luminaire can be regularly and safely wiped down to ensure optimal performance.

CONSTRUCTION

Body made from heavy-duty 18-gauge cold rolled steel and Dia cast driver junction box, post-painted with white finish and engineered for maximum strength and extended life. All corners interlock for added structural strength, with sides and corners uniformly turned in and hemmed to remove sharp edges for safe handling and easy installation. Luminaire is supplied with multiple wiring entrances for easy daisy chain, or to add power packs, whips, or other accessories in the field.

OPTIONS

Luminaires can be shipped pre-installed with whips, modular wiring systems, daylight harvesting controls, occupancy sensors, and/or power packs for individual or room control applications.

DRIVER ELECTRICAL INFORMATION

Powered by high-quality constant-current power LED drivers which are rated for 50 to 60Hz at 120/277V input. Available in 347V., produce less than 20% THD, and have a power factor of .90 to 1.00.

CCT OPTION

Easily access field-adjustable 4-Color SeleCCT from 3000K to 5000K or switch without lowering the luminaire from the Ceiling.



DRIVER ELECTRICAL INFORMATION

DIM10 - Flicker Free 5% Dimming Standard (DIM10) 0-10V dimming on either MVOLT 120, 277 or 347V.

WARRANTY

Five-year warranty for parts and components. (Labor not included)

LISTING

c-UL-us - Listed for Feed Through Wiring.
Listed for DLC 5.1 Premium, California Title 24 compliant.
c-UL-us Damp location listed.

Example: **CB2-CPA-LED-1200L/15000L/21000L-DIM10-MVOLT-WD-30K/35K/40K/50K-85**

CB2-CPA	LED									
SERIES CB2-CPA Oracle LED High Bay Series	TYPE LED	LUMENS 12000L/15000L/21000L 24000L/27000L/30000L	DIMMING DIM10* - DIM10-MVOLT *Consult factory for other dimming options	VOLTAGE MVOLT 347-480V* *Consult factory	OPTICS WD - WIDE MD - Medium ND - Narrow	CCT 30K/35K/40K/50K	CRI 85	EMERGENCY LED-BP-SLIM-9W-TB *for 12000/15000/21000 LED-BP-SLIM-18W-TB *for 24000/27000/30000		

*Warranty is contingent on the correct application and installation of fixture. Maximum ambient temperature is 50°C

OTHER OPTIONS	SENSOR OPTIONS
<p>VHCH* - V-Hook with chain kit (Included)</p> <p>MS - Motion Sensor</p> <p>MSPH - High/Low Motion Sensor with Photocell</p> <p>GSS - Gripple Suspension System</p> <p>CB2-LED-21000L-WG-WH - WireGuard for 21000L</p> <p>CB2-LED-30000L-WG-WH - WireGuard for 30000L</p> <p>S05 - 12' Power cord with 5 conductors for 1-10v dimming fixtures</p> <p>S06 - 12' Power cord with 6 conductors for 1-10V dimming and with emergency</p> <p>CB2-CPA-SMB - Surface Mount Bracket</p> <p>CB2-MH - Mounting HUB</p>	<p>LUT-WSPPEM24V-360 - Wired Occupancy Sensors</p> <p>OSFHU-LTW - PIR Fixture Mount High Bay Occupancy Sensor</p> <p>HBO11-PDX - PIR Fixture Mount Occupancy Sensor with Daylight Harvesting with 0-10V Dimming.</p> <p>SNH200 - SNH200 for High Bay (XSR driver required)</p> <p>HBP-111 - PIR Fixture Mount High Bay Occupancy Sensor</p> <p>FSP-221-B-D - PIR Fixture Mount Bay Sensor with Daylight Harvesting with 0-10V Dimming.</p> <p>BT-FMS-A - Bluetooth® enabled fixture mounted occupancy/daylight sensor and controller</p> <p>FSP311-B-D - 0-10V continuous dimming PIR photo/motion sensor with bluetooth control option.</p>

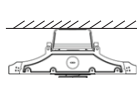
MOUNTING OPTION



Pendant
 Mounting Standard



Pendant
 Mounting



Celing
 Mounting



Stem
 Mounting

MOUNTING ACCESSORIES



CB2-CPA-SMB
 Surface Mount Bracket



CB2-CPA-MH
 Mounting HUB



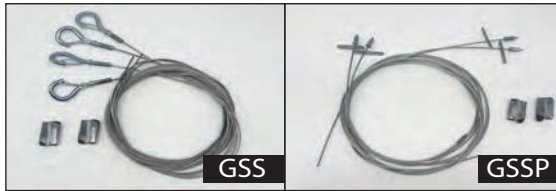
VHCH
 V-hook with chain kit



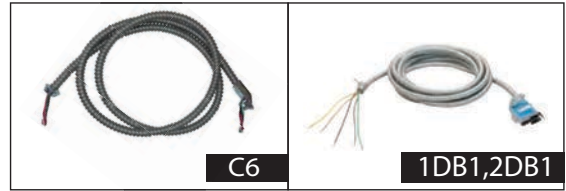
GSS
 Gripple Suspension System



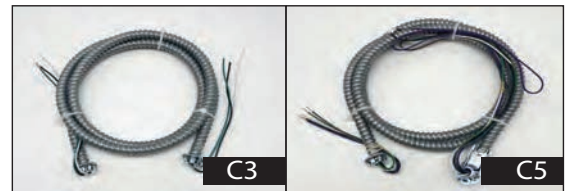
CB2-LED-21000L-WG-WH
 CB2-LED-30000L-WG-WH
 Wireguard



WHIPS	
<input type="checkbox"/> GSS GRIPPLER SUSPENSION SYSTEM	<input type="checkbox"/> GSSP GRIPPLER SYSTEM WITH PADDLES



WHIPS	
<input type="checkbox"/> C6 6-wire Flex Cable (Single Circuit)	<input type="checkbox"/> 1DB1 120/208/240V Distribution cable, 3-wire w/ground-phase A,B, 1' cable length <input type="checkbox"/> 2DB1 277/480V Distribution cable, 3-wire w/ground-phase A,B, 1' cable length



WHIPS	
<input type="checkbox"/> C3 3/8 X 6FT FLEX ASSY 3/18 BLK, WHT GRN - 84° 90 DEGREE SNAP & STR SNAP - ALUMINUM /SINGLE CIRCUIT	<input type="checkbox"/> C5 C5-3/8X6FT FLEX ASSY 18/5 W/GRAY & PURPLE WIRE - EXTENDED TO 12"

CORDS



CORDS			
<input type="checkbox"/> SO5-BK 5 WIRES BLACK CORD 18AWG 105 DEGREE CELCIUS RATED WHITE BLACK GREEN PURPLE GREY WIRES 120/277 VOLT	<input type="checkbox"/> SO5-WH 5 WIRES WHITE CORD 18AWG 105 DEGREE CELCIUS RATED WHITE BLACK GREEN PURPLE GREY WIRES 120/277 VOLT	<input type="checkbox"/> SO6-BK 6 WIRE BLACK CORD BLACK GREY PURPLE ORANGE GREEN AND WHITE CABLES	<input type="checkbox"/> SO6-WH 6 WIRE WHITE CORD BLACK GREY PURPLE ORANGE GREEN AND WHITE CABLES

PLUGS



PLUGS				
<input type="checkbox"/> PCTL120 10' NEMA L5-15R 120V TWIST LOCK PLUG	<input type="checkbox"/> PCSB120 10' NEMA 5-15R 120V STRAIGHT BLADE PLUG <input type="checkbox"/> PCSB120-BK 10' NEMA 5-15R 120V STRAIGHT BLADE PLUG-BLACK	<input type="checkbox"/> PCTL277 10' NEMA L7-15P 277V TWIST LOCK PLUG	<input type="checkbox"/> PCTL480V 10' NEMA LA20P 480V TWIST LOCK PLUG	<input type="checkbox"/> 1CB1SC1HV 120/208/240V Lighting "T" w/Drop cord, 3-wire w/ground-phase A,B, 3' cable length, 12 AWG, Hi-Voltage (optional) <input type="checkbox"/> 2CB1SC1HV 277/480V Distribution cable, 3-wire w/ground-phase A,B, 3' cable length, 12 AWG, Hi-Voltage (optional)





INTEGRATED SENSOR AND CONTROL OPTIONS

With the integration of controls, Elite Lighting now offers its products with controls-ready performance that increases energy efficiency, smarter space planning, and the enhancement of safety and productivity in the workplace. By utilizing these controls, Elite Lighting luminaires enable your customer's facility to run smarter, with the use of an easily controlled system through any platform.

Luminaire will be shipped with Powerpacks pre-installed, ready to be integrated to designated control systems

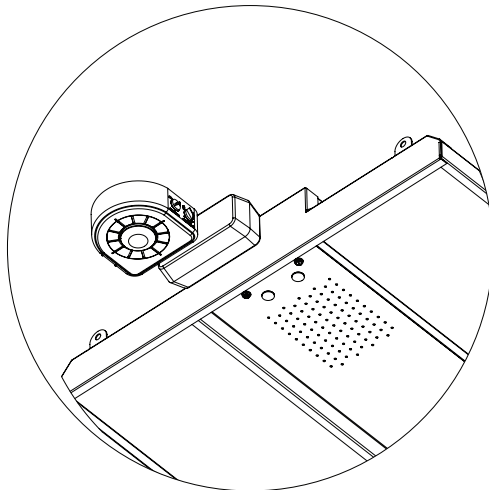
Luminaire will be shipped with Sensors installed on the luminaire, allowing for individual luminaire control. Luminaires will be ready to be integrated with designated control systems

Luminaire will be shipped with Sensors to be remotely installed on the ceiling. Luminaires will be ready to be integrated with designated control systems

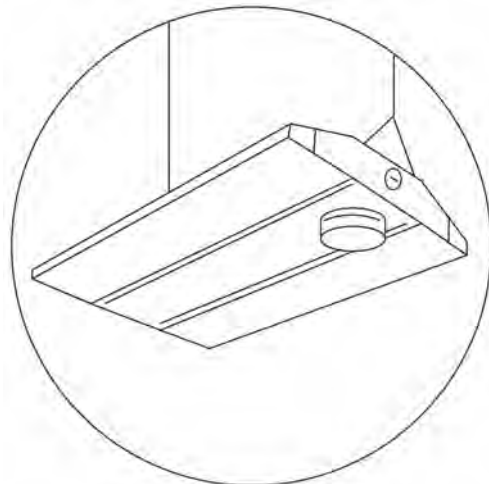
BRAND				
HIGH BAY SENSORS	<input type="checkbox"/> LUT-WSP24V-360-xx1-CPN6112 Wired Occupancy Sensors	<input type="checkbox"/> OSFHU-LTW PIR Fixture Mount High Bay Occupancy Sensor	<input type="checkbox"/> SNH200 SNH200 for High Bay	<input type="checkbox"/> HBP-111 PIR Fixture Mount High Bay Occupancy Sensor
		<input type="checkbox"/> HB011-PDX PIR Fixture Mount Occupancy Sensor with Daylight Harvesting		<input type="checkbox"/> FSP-321B-D-L7-BR (120-480V) 0-10V continuous dimming PIR photo/motion sensor with bluetooth control option.
				<input type="checkbox"/> FSP311-B-D 0-10V continuous dimming PIR photo/motion sensor with bluetooth control option.

*Customer Supplied Control Parts

**SIDE MOUNT OCCUPANCY
DAYLIGHT HARVESTING SENSOR**



**INSIDE MOUNT OCCUPANCY
DAYLIGHT HARVESTING SENSOR**



LUTRON

- LUT-WSP24V-360-xx1-CPN6112
Wired Occupancy Sensors

LEVITON

- OSFHU-LTW
PIR Fixture Mount High Bay Occupancy Sensor
- HB011-PDX
PIR Fixture Mount Occupancy Sensor with Daylight Harvesting

PHILIPS

- SNH200
SNH200 for High Bay

LEGRAND

- HBP-111
PIR Fixture Mount High Bay Occupancy Sensor
- FSP-321B-D-L7-BR (120-480V)
0-10V continuous dimming PIR photo/motion sensor with bluetooth control option.
- FSP311-B-D
0-10V continuous dimming PIR photo/motion sensor with bluetooth control option.

LEGRAND

- FSP-321B-L7-BR (120-480V)
PIR Fixture Mount High Bay Occupancy Sensor

CB2-CPA-LED-12000L-15000L-21000L-DIM10-MVOLT-MD-30K-35K-40K-50K-85(12000L)

TEST NO.: EL07072207

INPUT WATTS: 87.2

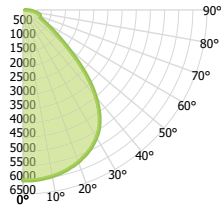
LUMENS: 12256

EFFICACY: 141

BEAM ANGLE: 86

SPACING CRITERIA: 1.26

CANDELA DISTRIBUTION



CANDELA TABLE

Table with 2 columns: Angle (0-90 degrees) and Candela values.

LUMINANCE (cd/sq.m)

Table with 4 columns: Angle (0.00-90.00 degrees) and Luminance values.

LUMENS PER ZONE

Table with 2 columns: Zone (0-90 degrees) and Lumens values.

ZONAL LUMEN SUMMARY

Table with 3 columns: Zone, Umens, and % Luminaire.

CONE OF LIGHT

Table with 4 columns: Mounting Height, FC at Beam Center, Beam Dia., and Beam Dia. at 90-270 degrees.

INDOOR COEFFICIENTS OF UTILIZATION

Large table with multiple columns for utilization coefficients (0-100%) and room parameters.

CB2-CPA-LED-12000L-15000L-21000L-DIM10-MVOLT-MD-30K-35K-40K-50K-85(15000L)

TEST NO.: EL07072207

INPUT WATTS: 110.3

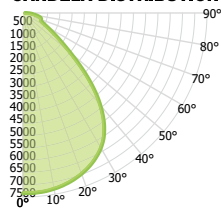
LUMENS: 14951

EFFICACY: 136

BEAM ANGLE: 86

SPACING CRITERIA: 1.26

CANDELA DISTRIBUTION



CANDELA TABLE

Table with 2 columns: Angle (0-90 degrees) and Candela values.

LUMINANCE (cd/sq.m)

Table with 4 columns: Angle (0.00-90.00 degrees) and Luminance values.

LUMENS PER ZONE

Table with 2 columns: Zone (0-90 degrees) and Lumens values.

ZONAL LUMEN SUMMARY

Table with 3 columns: Zone, Umens, and % Luminaire.

CONE OF LIGHT

Table with 4 columns: Mounting Height, FC at Beam Center, Beam Dia., and Beam Dia. at 90-270 degrees.

INDOOR COEFFICIENTS OF UTILIZATION

Large table with multiple columns for utilization coefficients (0-100%) and room parameters.

CB2-CPA-LED-12000L-15000L-21000L-DIM10-MVOLT-MD-30K-35K-40K-50K-85(21000L)

TEST NO.: EL07072207

INPUT WATTS: 136.7

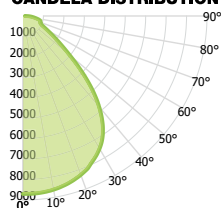
LUMENS: 17661

EFFICACY: 129

BEAM ANGLE: 86

SPACING CRITERIA: 1.26

CANDELA DISTRIBUTION



CANDELA TABLE

Table with 2 columns: Angle (0-90 degrees) and Candela values.

LUMINANCE (cd/sq.m)

Table with 4 columns: Angle (0.00-90.00 degrees) and Luminance values.

LUMENS PER ZONE

Table with 2 columns: Zone (0-90 degrees) and Lumens values.

ZONAL LUMEN SUMMARY

Table with 3 columns: Zone, Umens, and % Luminaire.

CONE OF LIGHT

Table with 4 columns: Mounting Height, FC at Beam Center, Beam Dia., and Beam Dia. at 90-270 degrees.

INDOOR COEFFICIENTS OF UTILIZATION

Large table with multiple columns for utilization coefficients (0-100%) and room parameters.

CB2-CPA-LED-24000L-27000L-30000L-DIM10-MVOLT-MD-30K-35K-40K-50K-85(24000L)

TEST NO.: EL07072206

INPUT WATTS: 169.6

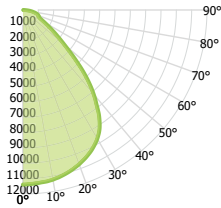
LUMENS: 22913

EFFICACY: 135

BEAM ANGLE: 86

SPACING CRITERIA: 1.25

CANDELA DISTRIBUTION



CANDELA TABLE

Table with 2 columns: 0°, 90°. Rows: 0°, 10°, 20°, 30°, 40°, 50°, 60°, 70°, 80°, 90°.

LUMINANCE (cd/sq.m)

Table with 4 columns: 0.00°, 90.00°. Rows: 0.00°, 10°, 20°, 30°, 40°, 50°, 60°, 70°, 80°, 90°.

LUMENS PER ZONE

Table with 2 columns: ZONE, LUMENS. Rows: 0° - 10°, 10° - 20°, 20° - 30°, 30° - 40°, 40° - 50°, 50° - 60°, 60° - 70°, 70° - 80°, 80° - 90°.

ZONAL LUMEN SUMMARY

Table with 3 columns: ZONE, UMENS, % LUMINAIRE. Rows: 0° - 20°, 0° - 30°, 0° - 40°, 0° - 60°, 0° - 80°, 0° - 90°.

CONE OF LIGHT

Table with 4 columns: MOUNTING HEIGHT, FC AT BEAM CENTER, BEAM DIA. 0°-180°, BEAM DIA. 90°-270°. Rows: 6.0 ft to 20.0 ft.

INDOOR COEFFICIENTS OF UTILIZATION

Large table with columns for utilization percentages (70%, 50%, 30%, 10%) and rows for mounting heights (0 to 10 ft).

CB2-CPA-LED-24000L-27000L-30000L-DIM10-MVOLT-MD-30K-35K-40K-50K-85(27000L)

TEST NO.: EL07072206

INPUT WATTS: 189.6

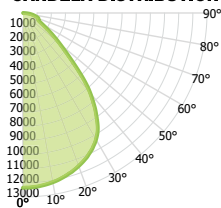
LUMENS: 24874

EFFICACY: 131

BEAM ANGLE: 86

SPACING CRITERIA: 1.23 x 1.23

CANDELA DISTRIBUTION



CANDELA TABLE

Table with 2 columns: 0°, 90°. Rows: 0°, 10°, 20°, 30°, 40°, 50°, 60°, 70°, 80°, 90°.

LUMINANCE (cd/sq.m)

Table with 4 columns: 0.00°, 90.00°. Rows: 0.00°, 10°, 20°, 30°, 40°, 50°, 60°, 70°, 80°, 90°.

LUMENS PER ZONE

Table with 2 columns: ZONE, LUMENS. Rows: 0° - 10°, 10° - 20°, 20° - 30°, 30° - 40°, 40° - 50°, 50° - 60°, 60° - 70°, 70° - 80°, 80° - 90°.

ZONAL LUMEN SUMMARY

Table with 3 columns: ZONE, UMENS, % LUMINAIRE. Rows: 0° - 20°, 0° - 30°, 0° - 40°, 0° - 60°, 0° - 80°, 0° - 90°.

CONE OF LIGHT

Table with 4 columns: MOUNTING HEIGHT, FC AT BEAM CENTER, BEAM DIA. 0°-180°, BEAM DIA. 90°-270°. Rows: 6.0 ft to 20.0 ft.

INDOOR COEFFICIENTS OF UTILIZATION

Large table with columns for utilization percentages (70%, 50%, 30%, 10%) and rows for mounting heights (0 to 10 ft).

CB2-CPA-LED-24000L-27000L-30000L-DIM10-MVOLT-MD-30K-35K-40K-50K-85(30000L)

TEST NO.: EL07072206

INPUT WATTS: 213.8

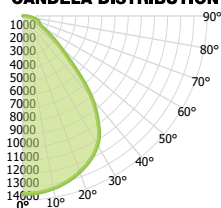
LUMENS: 27318

EFFICACY: 128

BEAM ANGLE: 86

SPACING CRITERIA: 1.23 x 1.23

CANDELA DISTRIBUTION



CANDELA TABLE

Table with 2 columns: 0°, 90°. Rows: 0°, 10°, 20°, 30°, 40°, 50°, 60°, 70°, 80°, 90°.

LUMINANCE (cd/sq.m)

Table with 4 columns: 0.00°, 90.00°. Rows: 0.00°, 10°, 20°, 30°, 40°, 50°, 60°, 70°, 80°, 90°.

LUMENS PER ZONE

Table with 2 columns: ZONE, LUMENS. Rows: 0° - 10°, 10° - 20°, 20° - 30°, 30° - 40°, 40° - 50°, 50° - 60°, 60° - 70°, 70° - 80°, 80° - 90°.

ZONAL LUMEN SUMMARY

Table with 3 columns: ZONE, UMENS, % LUMINAIRE. Rows: 0° - 20°, 0° - 30°, 0° - 40°, 0° - 60°, 0° - 80°, 0° - 90°.

CONE OF LIGHT

Table with 4 columns: MOUNTING HEIGHT, FC AT BEAM CENTER, BEAM DIA. 0°-180°, BEAM DIA. 90°-270°. Rows: 6.0 ft to 20.0 ft.

INDOOR COEFFICIENTS OF UTILIZATION

Large table with columns for utilization percentages (70%, 50%, 30%, 10%) and rows for mounting heights (0 to 10 ft).