

Knockout for easy sensor installation



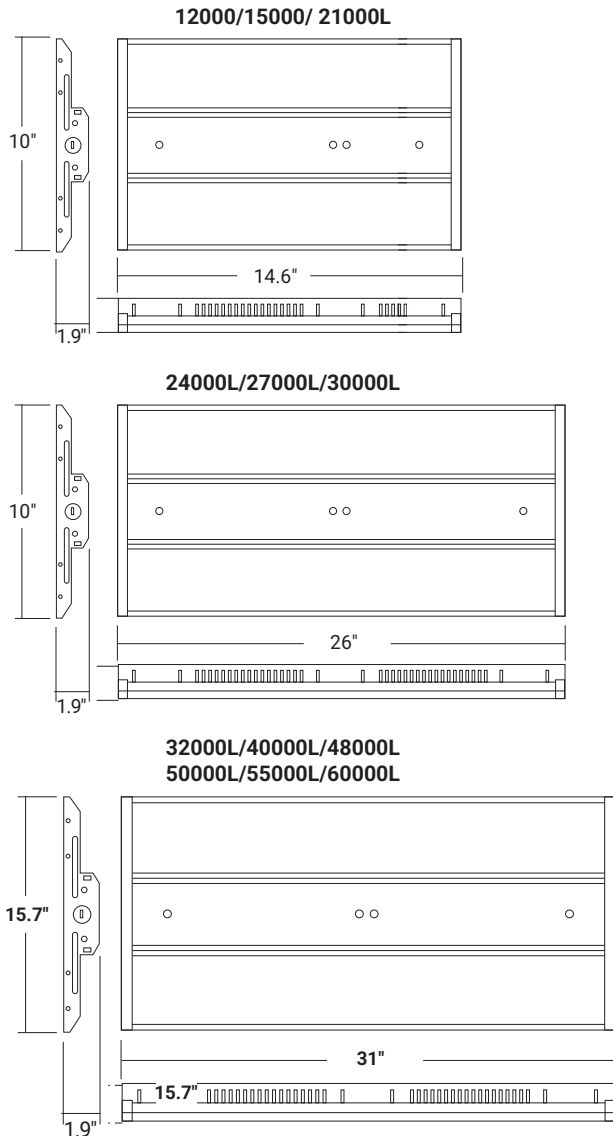
ADJUSTABLE
DESIGN



MULTILUMEN
SELECTOR

EASY 4 COLORS
SELECTOR
3000K • 3500K • 4000K • 5000K

DIMENSIONS



FEATURES

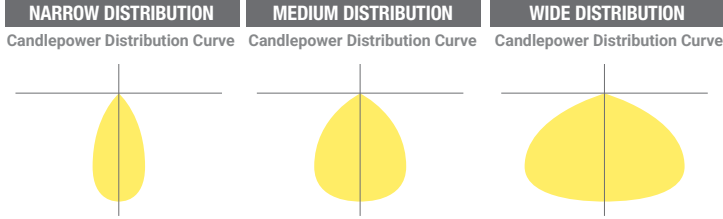
The CB2-CPA-LED is a highly efficient LED luminaire ideal for large indoor industrial spaces with high mounting heights that require uniform general illumination. Features the ability to quickly and conveniently adjust light output, CCT and beam spread as needed to acquire the ideal spread of illumination. Designed as a replacement for conventional linear fluorescent and HID high bays found in manufacturing facilities.

LUMENS	12000/ 15000/ 21000L 24000L/ 27000L/ 30000L 32000L/ 40000L/ 48000L 50000L/ 55000L/ 60000L
CCT	30K/35K/40K/50K
CRI	85+ Standard
COLOR QUALITY	3-Step MacAdam Ellipse
MOUNTING	Suspended, Ceiling, and Stem Mount
DISTRIBUTION	Wide (WD), Medium (MD), Narrow (ND)
DIMMING	0-10V Flicker Free 5% Dimming Standard (DIM10)
EMERGENCY	GTD-UL924, EMG-LED-25W-HV - 25W emergency GTD-UL924, EMG-LED-40W-HV - 40W emergency
OPERATION TEMP.	-20° C to 45° C (-4 F to 113 F).
LIFETIME	L70 at 167,000 Hours
PHOTOMETRIC TESTS	In accordance with IES LM79-08, LM80 and TM-30,TM-21

NOMINAL LUMENS	DELIVERED LUMENS	WATTAGE
60000	61559	425W
55000	55348	375W
50000	55348	334W
48000	48100	350W
40000	39874	290W
32000	31913	220W
30000	27318	213W
27000	24874	189W
24000	22913	169W
21000	17661	136W
15000	14951	110W
12000	12256	87W

Based on 4000K, 85+ CRI. Actual wattage may vary +/- 5%





OPTICAL SYSTEM

The luminaire provides a Wide (W) distribution with different shielding options and ships standard with a frosted PC lens to protect the LED light engines from dust and damage. The LED optic reflector is engineered to optimize performance for total fixture efficiency. The individual angled channels of the reflector help reduce the glare of high angle light emitted by the diodes.

MAINTENANCE

The LED engines and driver can be accessed from below by unscrewing and removing the front panel of the housing. Angled sides and vents prevent dust from settling inside and near the LED components, resulting in low-maintenance. LED engines and drivers held in place by safety cables for ease of maintenance and installation. LED engines and drivers removable and upgradeable even after luminaire installation. Luminaire can be regularly and safely wiped down to ensure optimal performance.

CONSTRUCTION

Body made from heavy-duty 18-gauge cold rolled steel, for maximum strength and extended life, with a die-cast aluminum heatsink for efficient heat dissipation. Body post-painted with white finish. Sides and corners uniformly turned in and hemmed to remove sharp edges for safe handling and easy installation. Luminaire is supplied with multiple wiring entrances for easy daisy chain, or to add power packs, whips, or other accessories in the field. Includes 4 standard knockouts and 30° rotatable light engines.

OPTIONS

Luminaires can be shipped pre-installed with whips, modular wiring systems, daylight harvesting controls, occupancy sensors, and/or power packs for individual or room control applications. For more information, see page 4.

DRIVER ELECTRICAL INFORMATION

Powered by high-quality constant-current power LED drivers which are rated for 50 to 60Hz at 120/277V input. Available in 347V., produce less than 20% THD, and have a power factor of .90 to 1.00.

DIM10 - Flicker Free 5% Dimming Standard (DIM10) 0-10V dimming on either MVOLT 120, 277 or 347V with 6kV/3kA per ANSI C82.77-5-2015 surge protector.

MULTI-CCT AND MULTI-LUMEN OPTION

Convenient field-adjustable CCT and Lumen Select switches on side of body allow for CCT to go from 3000K to 5000K or adjust lumens without lowering the luminaire from the ceiling



WARRANTY

5-year warranty for parts and components (labor not included).

LISTING

c-UL-us - Listed for Feed Through Wiring.
Listed for DLC 5.1 Premium, California Title 24 compliant.
c-UL-us Damp location listed.

Example: **CB2-CPA-LED-1200L/15000L/21000L-DIM10-MVOLT-WD-30K/35K/40K/50K-85**

CB2-CPA-LED									
SERIES CB2-CPA-LED Oracle LED High Bay Series	LUMENS 12000L/15000L/21000L 24000L/27000L/30000L 32000L/40000L/48000L 50000L/55000L/60000L	DIMMING DIM10 - 0-10V Dimming <i>*Consult factory for other dimming options</i>	VOLTAGE MVOLT *347V <i>*Consult factory</i>	DISTRIBUTION ND - Narrow MD - Medium WD - Wide	CCT 30K/35K/40K/50K	CRI 85	EMERGENCY EMG-LED-G4-120-347V-CP-25W-HV EMG-LED-G4-120-347V-CP-40W-HV* <i>*for 32000L/40000L/48000L and 50000L/55000L/60000L the only Emergency option available is EMG-LED-G4-120-347V-40W-HV</i>		

OTHER OPTION	SENSOR OPTION
<p>*VHCH - V-Hook with Chain Kit (included) GSS - 10' Gripple Suspension System S05 - 12' Power Cord with 5 Conductors for 1-10V Dimming Fixtures S06 - 12' Power Cord with 6 Conductors for 1-10V Dimming and with MFG-CB2-CPA-MH - Mounting HUB CB2-CPA-SMB - Surface Mount Bracket CB2-LED-12000L/15000L/21000L-WG-WH - Wire Guard for 12000/15000/21000 CB2-LED-24000L/27000L/30000L-WG-WH - Wire Guard for 24000/27000/30000 <i>*Consult factory for high lumens with wire guard</i></p>	<p>OSFHU-LTW - PIR Fixture Mount High Bay Occupancy Sensor. 411-HBOLA-PDX - PIR Fixture Mount Occupancy Sensor with Daylight Harvesting with 0-10V Dimming. SNH200 - SNH200 for High Bay (XSR driver required) HBP-111 - PIR Fixture Mount High Bay Occupancy Sensor. FSP-221-B-D - PIR Drop Nipple Fixture Mount Bay Sensor with Daylight Harvesting with 0-10V Dimming. FSP-221-B - PIR Internal Fixture Mount Bay Sensor with Daylight Harvesting and 0-10V Dimming. FSP311-B-D - 0-10V Continuous Dimming PIR Photo/Motion Sensor with Bluetooth® Control Option. OFD1Z-10W - PIR Smart Occupancy Sensor with Photocell, End/Fixture Mount.</p>

*Warranty is contingent on the correct application and installation of fixture. Maximum ambient temperature is 45°C(113F)

0° Tight



15° Tight



30° Tight

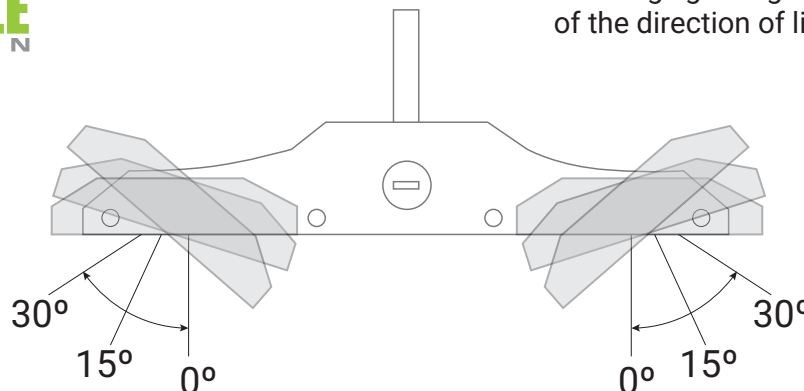


The CB2-CPA features adjustable dual light engines that offer adaptive lighting for different environments. Use the 0° adjustment for focused illumination in narrow spaces, or adjust up to 30° to provide broader, more expansive lighting for wider areas.

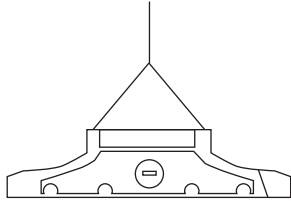


ADJUSTABLE
DESIGN

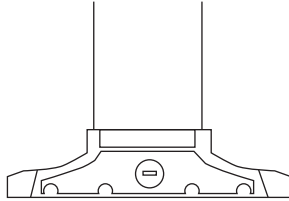
Rotating light engines allow for control of the direction of light spread.



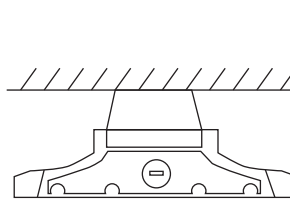
MOUNTING OPTIONS



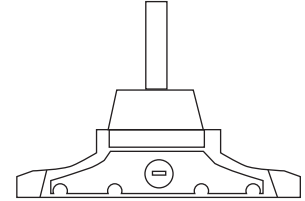
**Pendant Mounting
Standard**



Pendant Mounting



Ceiling Mounting



Stem Mounting

ACCESSORIES



MFG-CB2-CPA-MH
Mounting HUB



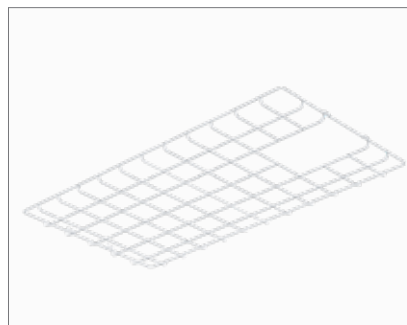
CB2-CPA-SMB
Surface Mount Bracket



VHCH
V-hook with Chain Kit (Included)



GSS
10' Gripple Suspension System



CB2-LED-12000L/15000L/21000L-WG-WH
CB2-LED-24000L/27000L/30000L-WG-WH
Wire Guard

WHIPS

CB high bays can be shipped with pre-installed modular wiring systems by AFC cable



C3
3/8 X 6FT Flex Assy 3/18
Black, White, Green wire
84° 90° & STR
SNAP - Aluminum
Single Circuit



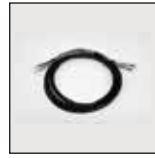
C5
3/8 X 6FT Flex Assy 18/5
White, Gray, Purple wire
Extended to 12"



C6
6-wire Flex Cable
(Single Circuit)



1DB1 • 2DB1
120/208/240V • 277/480V
Distribution cables
3-wire w/ground-phase A, B,
1' cable length



S05-BK
5-Wire Black Cord
18AWG 105° C
White, Black, Green,
Purple, Gray wire
120/277V



S05-WH
5-Wire White Cord
18AWG 105° C
White, Black, Green,
Purple, Gray wire
120/277V



S06-BK
6-Wire Black Cord
White, Black, Green,
Purple, Gray, Orange wire



S06-WH
6-Wire Black Cord
White, Black, Green,
Purple, Gray, Orange wire

PLUGS

CB high bays can be shipped with pre-installed modular wiring systems by AFC cable



PCTL120
Lock Plug
10' NEMA L5-15R 120V



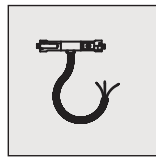
PCSB120
PCSB120-BK
Straight Blade Plug
10' NEMA 5-15R 120V
White & Black



PCTL277
Twist Lock Plug
10' NEMA L7-15P 277V



PCTL480V
Twist Lock Plug
10' NEMA LA20P 480V



1CB1SC1HV
2CB1SC1HV
1=Lighting "T" w/Drop Cord
2=277/480V Distribution Cable
3-wire w/ground-phase A,B
3' cable length, 12 AWG,
Hi-Voltage (optional)

**Current Wire Guard options
suitable only for the 21000L and
and 30000L versions of this item*

CORDS

CB high bays can be shipped with pre-installed modular wiring systems by AFC cable

INTEGRATED SENSOR AND CONTROL OPTIONS




With the integration of controls, Elite Lighting now offers its products with controls-ready performance that increases energy efficiency, smarter space planning, and the enhancement of safety and productivity in the workplace. By utilizing these controls, Elite Lighting luminaires enable your customer's facility to run smarter, with the use of an easily controlled system through any platform.

Luminaire will be shipped with Powerpacks pre-installed, ready to be integrated to designated control systems

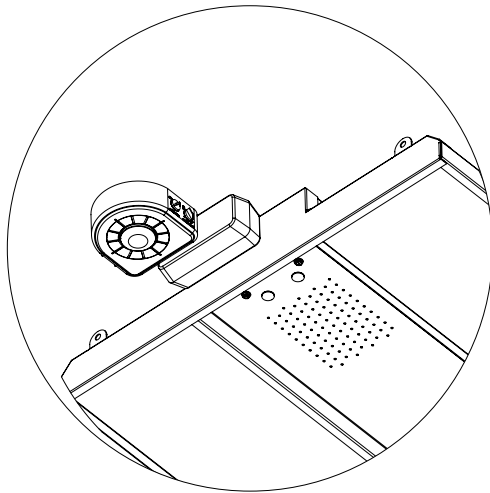
Luminaire will be shipped with Sensors installed on the luminaire, allowing for individual luminaire control.

Luminaires will be ready to be integrated with designated control systems

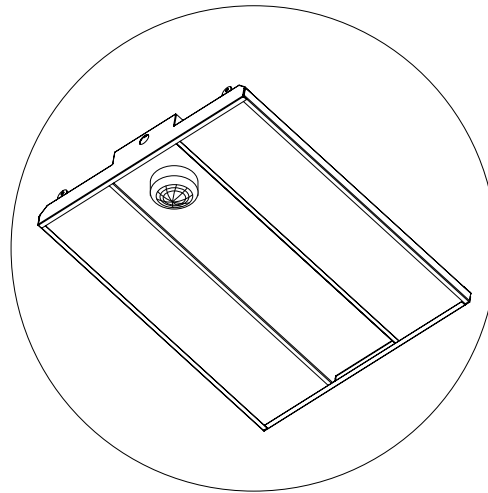
Luminaire will be shipped with Sensors to be remotely installed on the ceiling. Luminaires will be ready to be integrated with designated control systems

BRAND			
HIGH BAY SENSORS	OSFHU-LTW - PIR Fixture Mount High Bay Occupancy Sensor.	SNH200 for High Bay (XSR driver required)	HBP-111 - PIR Fixture Mount High Bay Occupancy Sensor.
	411-HBOLA-PDX - PIR Fixture Mount Occupacy Sensor with Daylight Harvesting with 0-10V Dimming.		FSP-221-B-D - PIR Drop Nipple Fixture Mount Bay Sensor with Daylight Harvesting with 0-10V Dimming.
	OFD1Z-10W - PIR Smart Occupancy Sensor with Photocell, End/Fixture Mount.		FSP-221-B - PIR Internal Fixture Mount Bay Sensor with Daylight Harvesting and 0-10V Dimming.
	421-OSFLA-LTW - High Bay Sensor with Aisle and Adapter with 42" leads		FSP-311 - Fixture Sensor High/Low/Off PIR
	OFDUZ-10W - PIR Occupancy Sensor with Photocell 120-480 VAC and bluetooth control®		FSP-211 - Integrated Sensor 120/277V.

**SIDE MOUNT OCCUPANCY
DAYLIGHT HARVESTING SENSOR**



**INSIDE MOUNT OCCUPANCY
DAYLIGHT HARVESTING SENSOR**



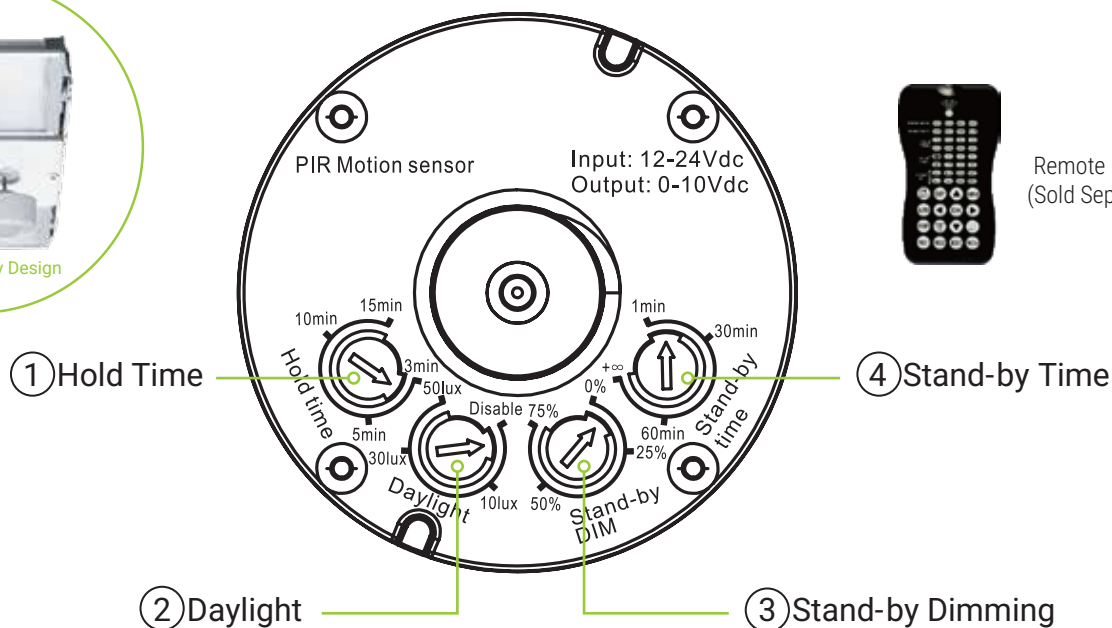
SENSOR OPTION

- OSFHU-LTW** - PIR Fixture Mount High Bay Occupancy Sensor.
- 411-HBOLA-PDX** - PIR Fixture Mount Occupacy Sensor with Daylight Harvesting with 0-10V Dimming.
- SNH200** - SNH200 for High Bay (XSR driver required)
- HBP-111** - PIR Fixture Mount High Bay Occupancy Sensor.
- FSP-221-B-D** - PIR Drop Nipple Fixture Mount Bay Sensor with Daylight Harvesting with 0-10V Dimming.
- OFD1Z-10W** - PIR Smart Occupancy Sensor with Photocell, End/Fixture Mount.
- FSP-311** - Fixture Sensor High/Low/Off PIR.
- 421-OSFLA-LTW** - High Bay Sensor with Aisle and Adapter with 42" leads
- OFDUZ-10W** - PIR Occupancy Sensor with Photocell 120-480 VAC and bluetooth control®

SENSOR OPTION

- FSP-221-B** - PIR Internal Fixture Mount Bay Sensor with Daylight Harvesting and 0-10V Dimming.
- FSP311-B-D** - 0-10V Continuous Dimming PIR Photo/Motion Sensor with Bluetooth® Control Option.
- FSP-211** - Integrated Sensor 120/277V.
- MS-PIR-SR-101** - Bi-level PIR Motion Sensor

BI-LEVEL PLUG AND PLAY PIR SENSOR



CB2-CPA-LED HIGH BAY PIR SENSOR

Provides multi-level control based on motion. It controls 0-10 VDC LED drivers or dimming ballasts and is rated for wet and cold locations. All control parameters are adjustable via knobs or remote control. The sensor is easy to install with a plug-and-play after setup.

FEATURES

Power supply	12-24VDC, >30mA
Dim control output	0-10V, max. 25mA sinking current
Detection radius	1- 8 m
Mounting height	Max 40ft.(12meters)
Hold time	3min/5min/10min/15min
Temperature	-4°F - +140°F (-20°C - +60°C)
IP Rating	IP65

SENSOR OPERATION

1) Hold time: Hold time (time from light trigger until no motion is detected). Set the time duration until the sensor triggers the standby light level (3 minutes / 5 minutes / 10 minutes / 15 minutes).

2) Daylight: Select the current surrounding lux value as the daylight threshold (10 lux, 30 lux, 50 lux, disable) when in corridor function. In smart photocell mode, the daylight thresholds are 10 lux / 1001 lux, 30 lux / 3001 lux, 50 lux / 500 lux for automatic on/off.

3) Stand-by DIM: Set the standby dimming level to 0% / 25% / 50% / 75% of full light output. Setting "Stand-by DIM" at 0% means the light is fully off during vacancy.

4) Stand-by time: Represents the time that the sensor will keep the light at a low dim level after the "Hold time" has elapsed. Set the Standby time level to 1 minute / 30 minutes / 60 minutes / +∞.

Note: When Stand-by time is set to +∞, the fixture will enter smart photocell mode. It will then turn on and off automatically according to the daylight setting.

CB2-CPA-LED-12000L-15000L-21000L-DIM10-MVOLT-MD-30K-35K-40K-50K-85(12000L)

TEST NO.: EL07072207

INPUT WATTS: 87.2

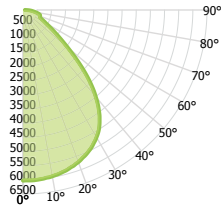
LUMENS: 12256

EFFICACY: 141

BEAM ANGLE: 86

SPACING CRITERIA: 1.26

CANDELA DISTRIBUTION



CANDELA TABLE

Table with 2 columns: Angle (0-90 degrees) and Candela values.

LUMINANCE (cd/sq.m)

Table with 4 columns: Angle (0.00-90.00 degrees) and Luminance values.

LUMENS PER ZONE

Table with 2 columns: Zone (0-80 degrees) and Lumens values.

ZONAL LUMEN SUMMARY

Table with 3 columns: Zone, Umens, and % Luminaire.

CONE OF LIGHT

Table with 4 columns: Mounting Height, FC at Beam Center, Beam Dia., and Beam Dia. at 90-270 degrees.

INDOOR COEFFICIENTS OF UTILIZATION

Large table with multiple columns for utilization coefficients (0-100%) and room parameters (pf, pc, pw).

CB2-CPA-LED-12000L-15000L-21000L-DIM10-MVOLT-MD-30K-35K-40K-50K-85(15000L)

TEST NO.: EL07072207

INPUT WATTS: 110.3

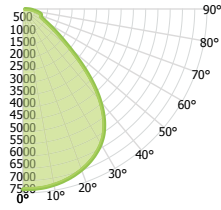
LUMENS: 14951

EFFICACY: 136

BEAM ANGLE: 86

SPACING CRITERIA: 1.26

CANDELA DISTRIBUTION



CANDELA TABLE

Table with 2 columns: Angle (0-90 degrees) and Candela values.

LUMINANCE (cd/sq.m)

Table with 4 columns: Angle (0.00-90.00 degrees) and Luminance values.

LUMENS PER ZONE

Table with 2 columns: Zone (0-80 degrees) and Lumens values.

ZONAL LUMEN SUMMARY

Table with 3 columns: Zone, Umens, and % Luminaire.

CONE OF LIGHT

Table with 4 columns: Mounting Height, FC at Beam Center, Beam Dia., and Beam Dia. at 90-270 degrees.

INDOOR COEFFICIENTS OF UTILIZATION

Large table with multiple columns for utilization coefficients (0-100%) and room parameters (pf, pc, pw).

CB2-CPA-LED-12000L-15000L-21000L-DIM10-MVOLT-MD-30K-35K-40K-50K-85(21000L)

TEST NO.: EL07072207

INPUT WATTS: 136.7

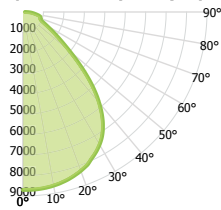
LUMENS: 17661

EFFICACY: 129

BEAM ANGLE: 86

SPACING CRITERIA: 1.26

CANDELA DISTRIBUTION



CANDELA TABLE

Table with 2 columns: Angle (0-90 degrees) and Candela values.

LUMINANCE (cd/sq.m)

Table with 4 columns: Angle (0.00-90.00 degrees) and Luminance values.

LUMENS PER ZONE

Table with 2 columns: Zone (0-80 degrees) and Lumens values.

ZONAL LUMEN SUMMARY

Table with 3 columns: Zone, Umens, and % Luminaire.

CONE OF LIGHT

Table with 4 columns: Mounting Height, FC at Beam Center, Beam Dia., and Beam Dia. at 90-270 degrees.

INDOOR COEFFICIENTS OF UTILIZATION

Large table with multiple columns for utilization coefficients (0-100%) and room parameters (pf, pc, pw).

CB2-CPA-LED-24000L-27000L-30000L-DIM10-MVOLT-MD-30K-35K-40K-50K-85(24000L)

TEST NO.: EL07072206

INPUT WATTS: 169.6

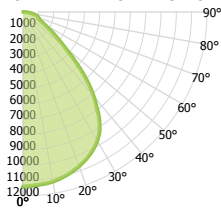
LUMENS: 22913

EFFICACY: 135

BEAM ANGLE: 86

SPACING CRITERIA: 1.25

CANDELA DISTRIBUTION



CANDELA TABLE

Table with 2 columns: 0°, 90°. Rows: 0°, 10°, 20°, 30°, 40°, 50°, 60°, 70°, 80°, 90°.

LUMINANCE (cd/sq.m)

Table with 4 columns: 0.00°, 90.00°. Rows: 0.00°, 10°, 20°, 30°, 40°, 50°, 60°, 70°, 80°, 90°.

LUMENS PER ZONE

Table with 2 columns: ZONE, LUMENS. Rows: 0° - 10°, 10° - 20°, 20° - 30°, 30° - 40°, 40° - 50°, 50° - 60°, 60° - 70°, 70° - 80°, 80° - 90°.

ZONAL LUMEN SUMMARY

Table with 3 columns: ZONE, UMENS, % LUMINAIRE. Rows: 0° - 20°, 0° - 30°, 0° - 40°, 0° - 60°, 0° - 80°, 0° - 90°.

CONE OF LIGHT

Table with 4 columns: MOUNTING HEIGHT, FC AT BEAM CENTER, BEAM DIA. 0°-180°, BEAM DIA. 90°-270°. Rows: 6.0 ft to 20.0 ft.

INDOOR COEFFICIENTS OF UTILIZATION

Large table with multiple columns for utilization percentages (70%, 50%, 30%, 20%, 10%) and rows for mounting heights (0 to 10 ft).

CB2-CPA-LED-24000L-27000L-30000L-DIM10-MVOLT-MD-30K-35K-40K-50K-85(27000L)

TEST NO.: EL07072206

INPUT WATTS: 189.6

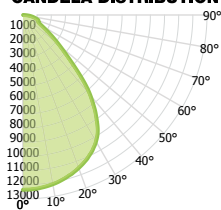
LUMENS: 24874

EFFICACY: 131

BEAM ANGLE: 86

SPACING CRITERIA: 1.23 x 1.23

CANDELA DISTRIBUTION



CANDELA TABLE

Table with 2 columns: 0°, 90°. Rows: 0°, 10°, 20°, 30°, 40°, 50°, 60°, 70°, 80°, 90°.

LUMINANCE (cd/sq.m)

Table with 4 columns: 0.00°, 90.00°. Rows: 0.00°, 10°, 20°, 30°, 40°, 50°, 60°, 70°, 80°, 90°.

LUMENS PER ZONE

Table with 2 columns: ZONE, LUMENS. Rows: 0° - 10°, 10° - 20°, 20° - 30°, 30° - 40°, 40° - 50°, 50° - 60°, 60° - 70°, 70° - 80°, 80° - 90°.

ZONAL LUMEN SUMMARY

Table with 3 columns: ZONE, UMENS, % LUMINAIRE. Rows: 0° - 20°, 0° - 30°, 0° - 40°, 0° - 60°, 0° - 80°, 0° - 90°.

CONE OF LIGHT

Table with 4 columns: MOUNTING HEIGHT, FC AT BEAM CENTER, BEAM DIA. 0°-180°, BEAM DIA. 90°-270°. Rows: 6.0 ft to 20.0 ft.

INDOOR COEFFICIENTS OF UTILIZATION

Large table with multiple columns for utilization percentages and rows for mounting heights (0 to 10 ft).

CB2-CPA-LED-24000L-27000L-30000L-DIM10-MVOLT-MD-30K-35K-40K-50K-85(30000L)

TEST NO.: EL07072206

INPUT WATTS: 213.8

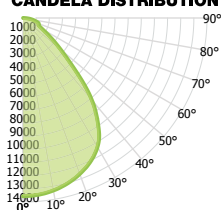
LUMENS: 27318

EFFICACY: 128

BEAM ANGLE: 86

SPACING CRITERIA: 1.23 x 1.23

CANDELA DISTRIBUTION



CANDELA TABLE

Table with 2 columns: 0°, 90°. Rows: 0°, 10°, 20°, 30°, 40°, 50°, 60°, 70°, 80°, 90°.

LUMINANCE (cd/sq.m)

Table with 4 columns: 0.00°, 90.00°. Rows: 0.00°, 10°, 20°, 30°, 40°, 50°, 60°, 70°, 80°, 90°.

LUMENS PER ZONE

Table with 2 columns: ZONE, LUMENS. Rows: 0° - 10°, 10° - 20°, 20° - 30°, 30° - 40°, 40° - 50°, 50° - 60°, 60° - 70°, 70° - 80°, 80° - 90°.

ZONAL LUMEN SUMMARY

Table with 3 columns: ZONE, UMENS, % LUMINAIRE. Rows: 0° - 20°, 0° - 30°, 0° - 40°, 0° - 60°, 0° - 80°, 0° - 90°.

CONE OF LIGHT

Table with 4 columns: MOUNTING HEIGHT, FC AT BEAM CENTER, BEAM DIA. 0°-180°, BEAM DIA. 90°-270°. Rows: 6.0 ft to 20.0 ft.

INDOOR COEFFICIENTS OF UTILIZATION

Large table with multiple columns for utilization percentages and rows for mounting heights (0 to 10 ft).

CB2-CPA-LED-3ML-DIM10-MVOLT-ND-4CCT-85(30000L)

TEST NO.: EL09142318

INPUT WATTS: 212.3

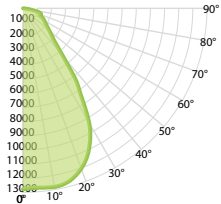
LUMENS: 26326

EFFICACY: 124

BEAM ANGLE: 73

SPACING CRITERIA: 1.12

CANDELA DISTRIBUTION



CANDELA TABLE

Table with 2 columns: 0°, 90°. Rows: 0°, 10°, 20°, 30°, 40°, 50°, 60°, 70°, 80°, 90°.

LUMINANCE (cd/sq.m)

Table with 2 columns: 0.00°, 90.00°. Rows: 0°, 10°, 20°, 30°, 40°, 50°, 60°, 70°, 80°, 90°.

LUMENS PER ZONE

Table with 2 columns: ZONE, LUMENS. Rows: 0° - 10°, 10° - 20°, 20° - 30°, 30° - 40°, 40° - 50°, 50° - 60°, 60° - 70°, 70° - 80°, 80° - 90°.

ZONAL LUMEN SUMMARY

Table with 3 columns: ZONE, UMENS, % LUMINAIRE. Rows: 0° - 20°, 0° - 30°, 0° - 40°, 0° - 60°, 0° - 80°, 0° - 90°.

CONE OF LIGHT

Table with 4 columns: MOUNTING HEIGHT, FC AT BEAM, BEAM DIA. 0°, BEAM DIA. 90°. Rows: 6.0 ft to 20.0 ft.

INDOOR COEFFICIENTS OF UTILIZATION

Large table with columns for utilization percentages (20%, 30%, 50%, 70%, 80%) and rows for mounting heights (0 to 10 ft).

CB2-CPA-LED-3ML-DIM10-MVOLT-MD-4CCT-85(30000L)

TEST NO.: EL12072306

INPUT WATTS: 210.5

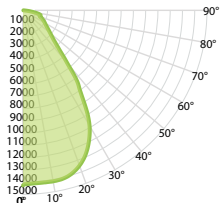
LUMENS: 29279

EFFICACY: 139

BEAM ANGLE: 72

SPACING CRITERIA: 1.14

CANDELA DISTRIBUTION



CANDELA TABLE

Table with 2 columns: 0°, 90°. Rows: 0°, 10°, 20°, 30°, 40°, 50°, 60°, 70°, 80°, 90°.

LUMINANCE (cd/sq.m)

Table with 2 columns: 0.00°, 90.00°. Rows: 0°, 10°, 20°, 30°, 40°, 50°, 60°, 70°, 80°, 90°.

LUMENS PER ZONE

Table with 2 columns: ZONE, LUMENS. Rows: 0° - 10°, 10° - 20°, 20° - 30°, 30° - 40°, 40° - 50°, 50° - 60°, 60° - 70°, 70° - 80°, 80° - 90°.

ZONAL LUMEN SUMMARY

Table with 3 columns: ZONE, UMENS, % LUMINAIRE. Rows: 0° - 20°, 0° - 30°, 0° - 40°, 0° - 60°, 0° - 80°, 0° - 90°.

CONE OF LIGHT

Table with 4 columns: MOUNTING HEIGHT, FC AT BEAM, BEAM DIA. 0°, BEAM DIA. 90°. Rows: 6.0 ft to 20.0 ft.

INDOOR COEFFICIENTS OF UTILIZATION

Large table with columns for utilization percentages (20%, 30%, 50%, 70%, 80%) and rows for mounting heights (0 to 10 ft).

CB2-CPA-LED-3ML-DIM10-MVOLT-WD-4CCT-85(30000L)

TEST NO.: EL09142318

INPUT WATTS: 212.5

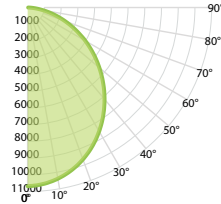
LUMENS: 28647

EFFICACY: 135

BEAM ANGLE: 105

SPACING CRITERIA: 1.19

CANDELA DISTRIBUTION



CANDELA TABLE

Table with 2 columns: 0°, 90°. Rows: 0°, 10°, 20°, 30°, 40°, 50°, 60°, 70°, 80°, 90°.

LUMINANCE (cd/sq.m)

Table with 2 columns: 0.00°, 90.00°. Rows: 0°, 10°, 20°, 30°, 40°, 50°, 60°, 70°, 80°, 90°.

LUMENS PER ZONE

Table with 2 columns: ZONE, LUMENS. Rows: 0° - 10°, 10° - 20°, 20° - 30°, 30° - 40°, 40° - 50°, 50° - 60°, 60° - 70°, 70° - 80°, 80° - 90°.

ZONAL LUMEN SUMMARY

Table with 3 columns: ZONE, UMENS, % LUMINAIRE. Rows: 0° - 20°, 0° - 30°, 0° - 40°, 0° - 60°, 0° - 80°, 0° - 90°.

CONE OF LIGHT

Table with 4 columns: MOUNTING HEIGHT, FC AT BEAM, BEAM DIA. 0°, BEAM DIA. 90°. Rows: 6.0 ft to 20.0 ft.

INDOOR COEFFICIENTS OF UTILIZATION

Large table with columns for utilization percentages (20%, 30%, 50%, 70%, 80%) and rows for mounting heights (0 to 10 ft).