

BL40ICE-S

4" Miniature Low Voltage "Noise-Free" Shallow IC Housing

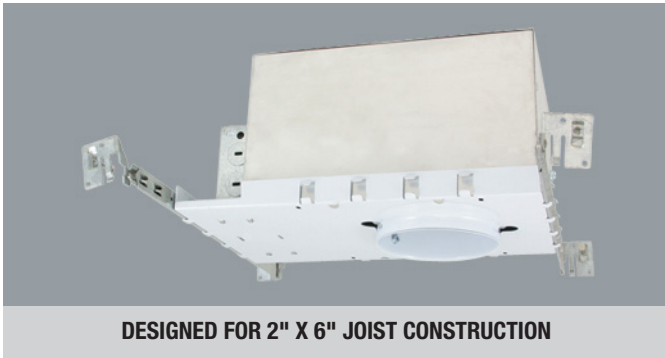
LAMP WATTAGE: (1) MAXIMUM 12V 20W MR16

Catalog Number:

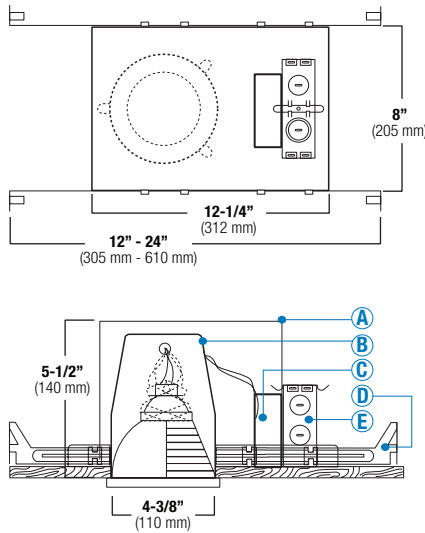
Project Name:

Type:

Note:



DESIGNED FOR 2" X 6" JOIST CONSTRUCTION



DESCRIPTION

Small aperture low voltage, thermally protected IC rated, specification grade recessed shallow housing. Designed for new construction. Accommodates up to 20W MR16 lamps. Furnished with preinstalled adjustable bar hangers. Junction box is provided with four 1/2" KOs, one 3/4" KO and four Romex knockouts with strain relief.

SPECIFICATION

A. OUTER HOUSING - Die-formed aluminum construction for maximum heat dissipating air chamber on top of the housing. Junction box could be accessed from inside and outside housing.

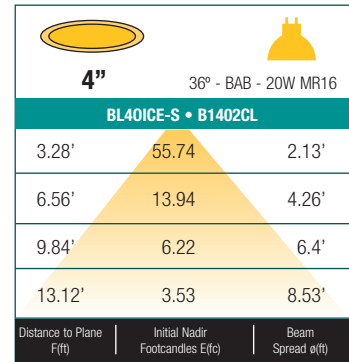
B. INNER HOUSING - Deep-drawn single piece aluminum construction for maximum heat dissipation and rust protection. Adjusts vertically in plaster frame to accommodate 1/2" to 1-3/8" ceiling.

C. TRANSFORMER - Enhanced in heat dissipating cover, to provide noise free operation. Attached to junction box cover so it may be serviced from below the ceiling. Thermally protected.

- E-Class II dimming electronic transformer (LighTech part #LET 75 BF)

D. BAR HANGERS - Preinstalled bar hangers allow housing to be positioned and locked at any point within a 24" joist span and can be shortened for 12" joists. Integral bar hanger nailers are designed to be hammered directly into the joist without additional nails or screws and makes installation fast and accurate. Bar hangers can fit onto T-Bar spline with additional slots and holes for special mounting methods if necessary.

E. JUNCTION BOX - listed for through-branch cir-cuit wiring and has four 1/2" KOs, one 3/4" KO and four Ro-mex knockouts with true pry-out slots and strain clamps.



FEATURES

- Integral low voltage electronic transformer to eliminate noise and vibration, increasing lamp life and lighting quality.
- Thermally Protected IC housing.
- Designed for accent and task lighting applications.
- Wire through junction box.
- Preinstalled adjustable bar hangers.
- Dependable, favorable design and effortless installation.
- 5-1/2" height allows use in 2" x 6" joist construction.
- Special screw on the frame locks bar hangers in place which prevents the housing from any movement once installed.

OPTIONS

1. AIR-SHUT

- Gasket to prevent air flow from heated or air conditioned spaces.
- Meets all national air flow requirements.



BL40ICE-S - ITEM SELECTOR: (Please check the boxes below for the option desired)

WATTAGE	TRIM TYPE	BAFFLE	TRIM RING	MR 16 LENS FILTER
<input type="checkbox"/> 20W	<input type="checkbox"/> B1451 ¹ <input type="checkbox"/> B1476 ² <input type="checkbox"/> B1494 <input type="checkbox"/> B1425 <input type="checkbox"/> B1439 <input type="checkbox"/> B1411 <input type="checkbox"/> B1453 ¹ <input type="checkbox"/> B1478 <input type="checkbox"/> B1496 <input type="checkbox"/> B1469 <input type="checkbox"/> B1463 <input type="checkbox"/> B1416 <input type="checkbox"/> B1454 ¹ <input type="checkbox"/> B1488 <input type="checkbox"/> B1483 <input type="checkbox"/> B1442 <input type="checkbox"/> B1464 <input type="checkbox"/> B1407 <input type="checkbox"/> B1455 ¹ <input type="checkbox"/> B1486 <input type="checkbox"/> B1432 <input type="checkbox"/> B1420 <input type="checkbox"/> B1465 <input type="checkbox"/> B1414 <input type="checkbox"/> B1456 ¹ <input type="checkbox"/> B1489 <input type="checkbox"/> B1434 <input type="checkbox"/> B1422 <input type="checkbox"/> B1466 <input type="checkbox"/> B1415 <input type="checkbox"/> B1457 ¹ <input type="checkbox"/> B1479 <input type="checkbox"/> B1435 <input type="checkbox"/> B1413 <input type="checkbox"/> B1467 <input type="checkbox"/> B1404 <input type="checkbox"/> B1458 ¹ <input type="checkbox"/> B1487 <input type="checkbox"/> B1484 <input type="checkbox"/> B1426 <input type="checkbox"/> B1408 <input type="checkbox"/> B1418 <input type="checkbox"/> B1459 ¹ <input type="checkbox"/> B1485 <input type="checkbox"/> B1436 <input type="checkbox"/> B1427 <input type="checkbox"/> B1406 <input type="checkbox"/> B1419 <input type="checkbox"/> B1460 ¹ <input type="checkbox"/> B1491 <input type="checkbox"/> B1440 <input type="checkbox"/> B1430 <input type="checkbox"/> B1401 <input type="checkbox"/> B1433 <input type="checkbox"/> B1470 ² <input type="checkbox"/> B1480 <input type="checkbox"/> B1441 <input type="checkbox"/> B1431 <input type="checkbox"/> B1402 <input type="checkbox"/> B1417 <input type="checkbox"/> B1471 ² <input type="checkbox"/> B1495 <input type="checkbox"/> B1421 <input type="checkbox"/> B1462 <input type="checkbox"/> B1412 <input type="checkbox"/> B1477 <input type="checkbox"/> B1472 ² <input type="checkbox"/> B1490 <input type="checkbox"/> B1424 <input type="checkbox"/> B1452 <input type="checkbox"/> B1468 <input type="checkbox"/> B1474 ² <input type="checkbox"/> B1492 <input type="checkbox"/> B1423 <input type="checkbox"/> B1437 <input type="checkbox"/> B1461 <input type="checkbox"/> B1475 ² <input type="checkbox"/> B1481 <input type="checkbox"/> B1409 <input type="checkbox"/> B1438 <input type="checkbox"/> B1403	<input type="checkbox"/> W <input type="checkbox"/> WH <input type="checkbox"/> P <input type="checkbox"/> BK <input type="checkbox"/> SN <input type="checkbox"/> SN <input type="checkbox"/> CP <input type="checkbox"/> CP <input type="checkbox"/> BZ <input type="checkbox"/> CH REFLECTOR <input type="checkbox"/> CL <input type="checkbox"/> PB <input type="checkbox"/> RG <input type="checkbox"/> CH ¹ <input type="checkbox"/> W <input type="checkbox"/> SS ² <input type="checkbox"/> MB <input type="checkbox"/> BZ <input type="checkbox"/> CP <input type="checkbox"/> SN <input type="checkbox"/> SHZ	<input type="checkbox"/> WH <input type="checkbox"/> BK <input type="checkbox"/> SN <input type="checkbox"/> CP <input type="checkbox"/> CH <input type="checkbox"/> PB <input type="checkbox"/> BZ <input type="checkbox"/> CH ¹ <input type="checkbox"/> SS ² <input type="checkbox"/> MB <input type="checkbox"/> BZ <input type="checkbox"/> CP <input type="checkbox"/> SN <input type="checkbox"/> SHZ	<input type="checkbox"/> BP8MR16-BL (Blue) <input type="checkbox"/> BP8MR16-FR (Frosted) <input type="checkbox"/> BP8MR16-GR (Green) <input type="checkbox"/> BP8MR16-SP (Spread) <input type="checkbox"/> BP8MR16-PI (Pink) <input type="checkbox"/> BP8MR16-SF (Soft Focus) <input type="checkbox"/> BP8MR16-PU (Purple) <input type="checkbox"/> BP8MR16-HC (Honey Comb) <input type="checkbox"/> BP8MR16-DL (Day Light) <input type="checkbox"/> BP8MR16-LI (Linear) <input type="checkbox"/> BP8MR16-YE (Yellow) <input type="checkbox"/> BP8MR16-SOL (Solite) <input type="checkbox"/> BP8MR16-AM (Amber) <input type="checkbox"/> BP8MR16-CL (Clear) <input type="checkbox"/> BP8MR16-OR (Orange) <input type="checkbox"/> BP8MR16-UV (Ultraviolet) <input type="checkbox"/> BP8MR16-RE (Red)

¹ = CH - Chrome finished • ² = SS - Stainless Steel finished

BAFFLE	REFLECTOR	TRIM/RING
W White	CL Chrome	WH White
P Black	RG Gold	BK Black
SN Satin Nickel	W White	SN Satin Nickel
CP Copper	MB Black	CP Copper
BZ Bronze	BZ Bronze	CH Chrome
	CP Copper	PB Polish Brass
	SN Satin Nickel	BZ Bronze
	SHZ Satin Haze	

Specifications:

BL40ICE-S

WATT BALLAST VOLTAGE OPTION TRIM TYPE BAFFLE REFLECTOR TRIM/RING FILTER (1) FILTER (2)

Sample of Catalog Number: BL40ICE-S-20W-E-B1401-W-WH-BP8MR16-BL

*For custom baffle, reflector, trim ring, glass color and lens options, please consult factory.



Submittal form is available @ www.iuseelite.com
Tel: 323-888-1973 • Fax: 323-888-1977

Specifications and Dimensions subject to change without notice.

REV: ELITE LIGHTING-SPEC-05-24-2011

4" Low Voltage Trims

(LAMP WATTAGE: 75W 12V MR16 / 50W 120V GU10)
















Catalog Number:

Project Name:

Type:

Note:



B1451CH RUBY I	B1453CH RUBY II	B1454CH SAPPHIRE I	B1455CH SAPPHIRE II
 <p>O.D.: 4-7/8" FINISH TRIM: CH (CHROME)</p>	 <p>O.D.: 4-7/8" FINISH TRIM: CH (CHROME)</p>	 <p>O.D.: 4-7/8" FINISH TRIM: CH (CHROME)</p>	 <p>O.D.: 4-7/8" FINISH TRIM: CH (CHROME)</p>
B1456CH EMERALD I	B1457CH EMERALD II	B1458CH TOPAZ I	B1459CH TOPAZ II
 <p>O.D.: 4-7/8" FINISH TRIM: CH (CHROME)</p>	 <p>O.D.: 4-7/8" FINISH TRIM: CH (CHROME)</p>	 <p>O.D.: 4-7/8" FINISH TRIM: CH (CHROME)</p>	 <p>O.D.: 4-7/8" FINISH TRIM: CH (CHROME)</p>
B1460CH ONYX	B1470SS ADJ. STAINLESS STEEL GIMBAL TRIM	B1471SS STAINLESS STEEL LENSED TRIM	B1472SS STAINLESS STEEL EYEBALL TRIM
 <p>O.D.: 4-7/8" FINISH TRIM: CH (CHROME)</p>	 <p>O.D.: 4-7/8" FINISH TRIM: SS (STAINLESS STEEL)</p>	 <p>O.D.: 4-7/8" FINISH TRIM: SS (STAINLESS STEEL)</p>	 <p>O.D.: 4-7/8" FINISH TRIM: SS (STAINLESS STEEL)</p>
B1474SS ADJ. STAINLESS STEEL SQUARE GIMBAL TRIM	B1475SS STAINLESS STEEL SQUARE EYEBALL TRIM	B1476SS ADJ. STAINLESS STEEL SQUARE EYEBALL TRIM	B1496SN SQUARE BAFFLE W/ SQUARE TRIM RING
 <p>O.D.: 4-7/8" FINISH TRIM: SS (STAINLESS STEEL)</p>	 <p>O.D.: 4-7/8" FINISH TRIM: SS (STAINLESS STEEL)</p>	 <p>O.D.: 4-7/8" FINISH TRIM: SS (STAINLESS STEEL)</p>	<p>TRIM FINISH: WH, BK, SN, CP, CH, PB, BZ</p>

4"

Low Voltage Trims

(LAMP WATTAGE: 75W 12V MR16 / 50W 120V GU10)

Catalog Number:

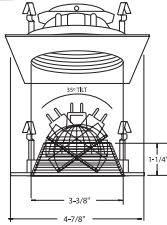
Project Name:

Type:

Note:



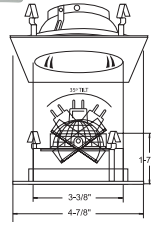
B1478SN-SN
STEPPED BAFFLE (35° TILT)



BAFFLE FINISH:
W, P, SN, CP, BZ

RING FINISH:
WH, BK, SN, CP, CH, PB, BZ

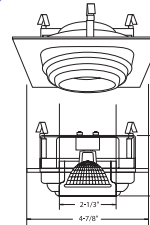
B1479CL-WH
REFLECTOR (35° TILT)



REFLECTOR FINISH:
CL, RG, MB, W, CP, SN

RING FINISH:
WH, BK, SN, CP, CH, PB, BZ

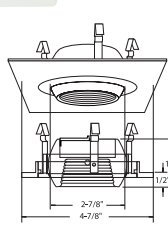
B1494WH-BLUE
DESIGNER SQUARE STEP LITE



TRIM FINISH:
WH, BK, SN, CP, CH, PB

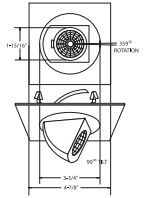
GLASS FINISH:
BLUE, PEACH, GREEN, FROSTED

B1485W-WH
EYEBALL (47° TILT)



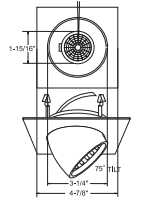
AVAILABLE COLOR COMBINATIONS:
CP-CP, SN-SN, W-WH, P-WH, P-BK

B1488CP
SURFACE ADJUSTABLE (90° TILT, 359° ROT)



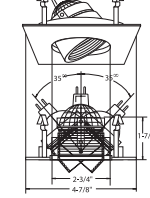
RING FINISH:
WH, BK, SN, CP, CH, PB, BZ

B1486WH
FULLY ADJUSTABLE (75° TILT, 359° ROT)



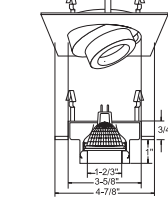
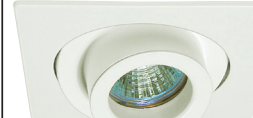
RING FINISH:
WH, BK, SN, CP, CH, PB, BZ

B1489W-WH
ADJ. PINHOLE W/ BAFFLE (35° TILT)



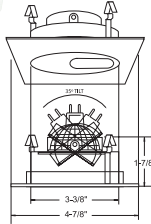
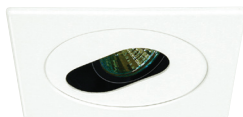
AVAILABLE COLOR COMBINATIONS:
W-WH, P-WH

B1487WH
ADJUSTABLE SPOT (40° TILT)



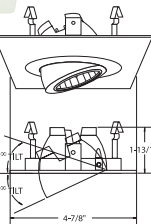
RING FINISH:
WH, BK

B1483WH
SLOT APERTURE (35° TILT)



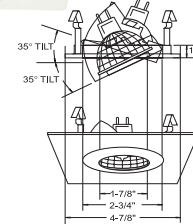
TRIM FINISH:
WH, BK, SN, CP, CH, PB, BZ

B1480WH
FULLY ADJUSTABLE (35° TILT, 359° ROT.)



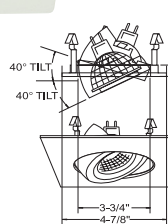
TRIM FINISH:
WH, BK, SN, CP, CH, PB, BZ

B1484P-WH
FULLY ADJ. W/ BAFFLE (35° TILT, 359° ROT.)



AVAILABLE COLOR COMBINATIONS:
W-WH, P-WH, P-BK, CP-CP, SN-SN, BZ-BZ

B1481WH
ADJUSTABLE GIMBAL (40° TILT)

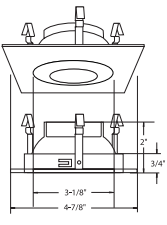


TRIM FINISH:
WH, BK, SN, CP, CH, PB, BZ

B1495CL-SN
SEMI-FROSTED SHOWER TRIM



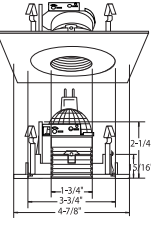
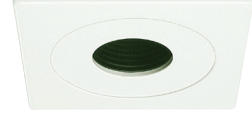
FOR WET LOCATION



REFLECTOR FINISH:
CL, RG, W, MB, CP, SN

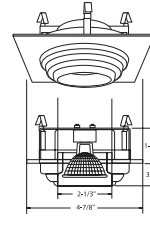
RING FINISH:
WH, BK, SN, CP, CH, PB, BZ

B1491P-WH
PINHOLE WITH BAFFLE



AVAILABLE COLOR COMBINATIONS:
CP-CP, SN-SN, W-WH, P-WH, P-BK

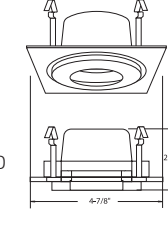
B1492WH-BLUE
METROPOLITAN ICE LITE



TRIM FINISH:
WH, BK, SN, CP, CH, PB

GLASS FINISH:
BLUE, PEACH, GREEN, CLEAR, AMBER, FROSTED

B1490WH-PEACH
METROPOLITAN ICE LITE



TRIM FINISH:
WH, BK, SN, CP, CH, PB

GLASS FINISH:
BLUE, PEACH, GREEN, CLEAR, AMBER, FROSTED



Submittal form is available @ www.iuseelite.com
Tel: 323-888-1973 • Fax: 323-888-1977

Specifications and Dimensions subject to change without notice.

REV: MAXLUME-SPEC-05-26-2011

4"

Low Voltage Trims

(LAMP WATTAGE: 75W 12V MR16 / 50W 120V GU10)

Catalog Number:

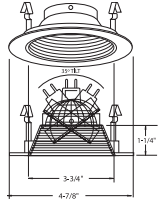
Project Name:

Type:

Note:



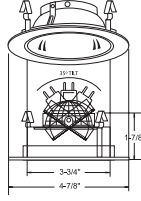
B1401CP-CP
STEPPED BAFFLE



BAFFLE FINISH:
W, P, SN, CP, BZ

RING FINISH:
WH, BK, SN, CP, CH, PB, BZ

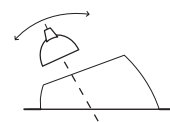
B1402CP-WH
REFLECTOR (35° TILT)



REFLECTOR FINISH:
CL, RG, W, MB, CP, SN, BZ

RING FINISH:
WH, BK, SN, CP, CH, PB, BZ

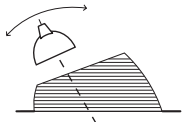
B1463RG-WH
ADJUSTABLE ANGLE-CUT REFLECTOR



REFLECTOR FINISH:
CL, RG, W, MB, CP, SN

RING FINISH:
WH, BK, SN, CP, CH, PB

B1464CP-CP
ADJUSTABLE ANGLE-CUT BAFFLE



BAFFLE FINISH:
W, P, SN, CP

RING FINISH:
WH, BK, SN, CP, CH, PB

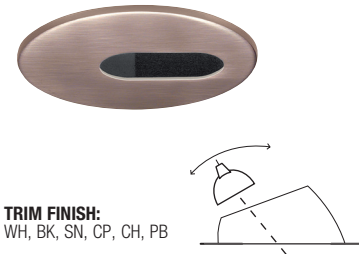
B1465CL-WH
ADJUSTABLE ANGLE-CUT PINHOLE



REFLECTOR FINISH:
CL, RG, W, MB, CP, SN

RING FINISH:
WH, SN, CP

B1466CL-WH
ADJUSTABLE ANGLE-CUT SLOT APERTURE



TRIM FINISH:
WH, BK, SN, CP, CH, PB

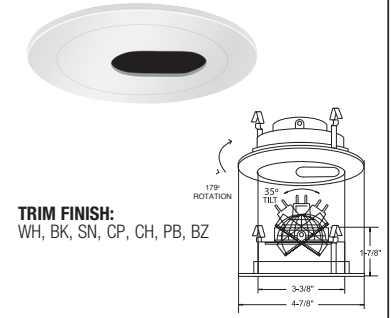
B1467CL-WH
ADJUSTABLE LENSED WALL WASH



REFLECTOR FINISH:
CL, RG, W, MB, CP, SN

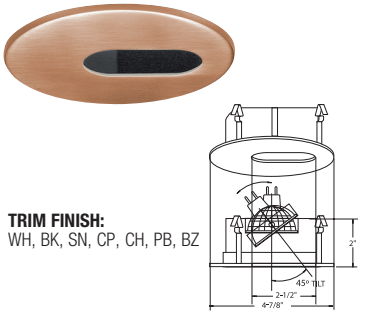
TRIM COVER:
WH, BK

B1411WH
SLOT APERTURE (35° TILT, 179° ROT)



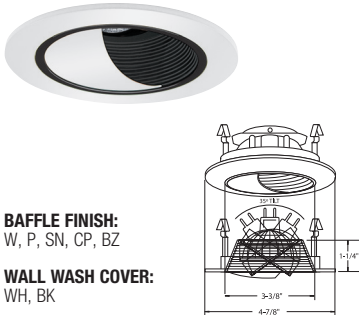
TRIM FINISH:
WH, BK, SN, CP, CH, PB, BZ

B1403CP
ONE PIECE SLOT APERTURE (35° TILT)



TRIM FINISH:
WH, BK, SN, CP, CH, PB, BZ

B1416P-WH
BAFFLE WALL WASH



BAFFLE FINISH:
W, P, SN, CP, BZ

WALL WASH COVER:
WH, BK

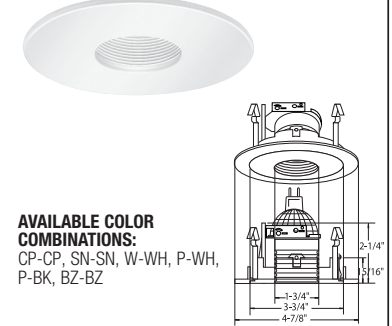
B1407CL-WH
REFLECTOR WALL WASH



REFLECTOR FINISH:
CL, RG, W, MB, CP, SN

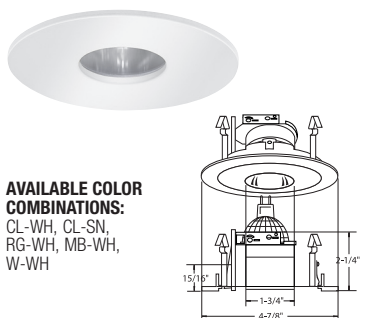
WALL WASH COVER:
WH, BK

B1414W-WH
PINHOLE WITH BAFFLE



AVAILABLE COLOR COMBINATIONS:
CP-CP, SN-SN, W-WH, P-WH, P-BK, BZ-BZ

B1415CL-WH
PINHOLE WITH REFLECTOR



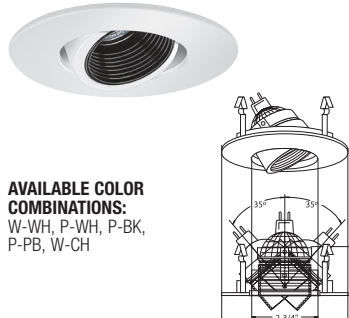
AVAILABLE COLOR COMBINATIONS:
CL-WH, CL-SN, RG-WH, MB-WH, W-WH

B1404P-WH
EYEBALL (47° TILT)



AVAILABLE COLOR COMBINATIONS:
CP-CP, SN-SN, W-WH, P-WH, P-BK, BZ-BZ

B1418P-WH
ADJ. PINHOLE W/ EYEBALL (35° TILT)



AVAILABLE COLOR COMBINATIONS:
W-WH, P-WH, P-BK, P-PB, W-CH

B1412CH
FULLY ADJUSTABLE (35° TILT, 359° ROT.)



TRIM FINISH:
WH, BK, SN, CP, CH, PB, BZ

4" Low Voltage Trims

(LAMP WATTAGE: 75W 12V MR16 / 50W 120V GU10)

Catalog Number:

Project Name:

Type:

Note:

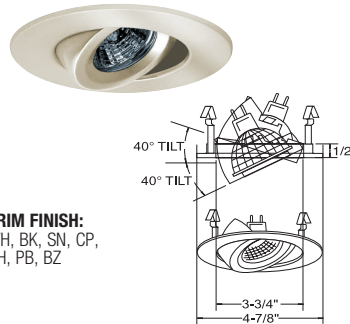


B1468W-WH
FULLY ADJ. W/ BAFFLE (35° TILT, 359° ROT.)



AVAILABLE COLOR COMBINATIONS:
CP-CP, SN-SN, W-WH, P-WH, P-BK, BZ-BZ

B1461SN
ADJUSTABLE GIMBAL (40° TILT)



TRIM FINISH:
WH, BK, SN, CP, CH, PB, BZ

B1408WH
FULLY ADJUSTABLE (75° TILT, 359° ROT.)



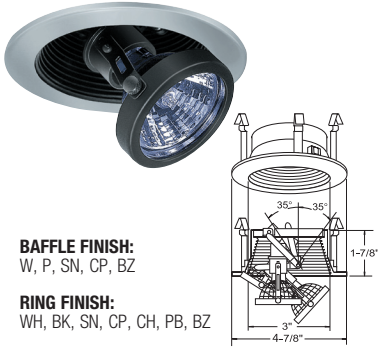
TRIM FINISH:
WH, BK, SN, CP, CH, PB, BZ

B1406CP
SURFACE ADJUSTABLE (90° TILT, 359° ROT.)



TRIM FINISH:
WH, BK, SN, CP, CH, PB, BZ

B1413P-SN
PULL DOWN ADJUSTABLE



BAFFLE FINISH:
W, P, SN, CP, BZ

RING FINISH:
WH, BK, SN, CP, CH, PB, BZ

B1419BK
ADJUSTABLE SPOT (40° TILT)



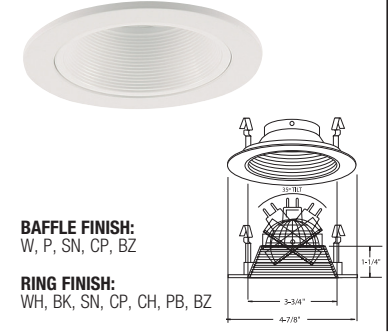
TRIM/RING FINISH:
WH, BK, SN

B1433P-WH
ADJUSTABLE PINHOLE BAFFLE (15° TILT)



AVAILABLE COLOR COMBINATIONS:
W-WH, P-WH

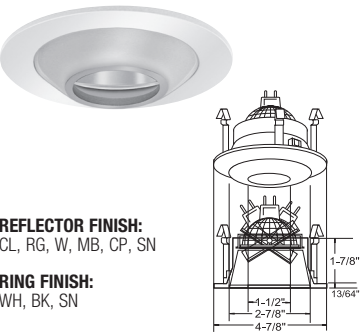
B1417W-WH
METAL STEPPED BAFFLE



BAFFLE FINISH:
W, P, SN, CP, BZ

RING FINISH:
WH, BK, SN, CP, CH, PB, BZ

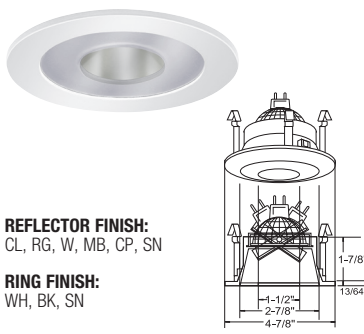
B1426CL-WH
THE ILLUMINATOR II



REFLECTOR FINISH:
CL, RG, W, MB, CP, SN

RING FINISH:
WH, BK, SN

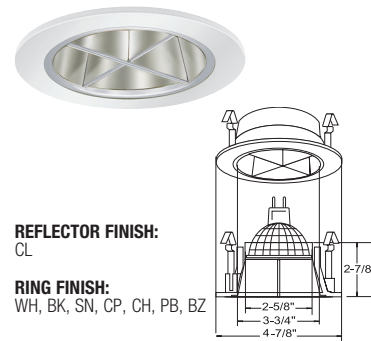
B1427CL-WH
THE ILLUMINATOR



REFLECTOR FINISH:
CL, RG, W, MB, CP, SN

RING FINISH:
WH, BK, SN

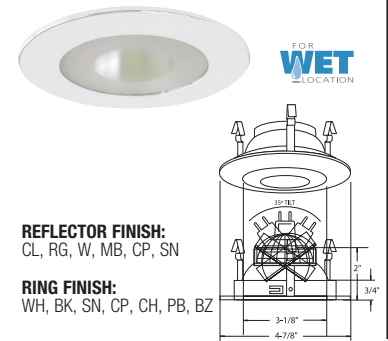
B1477CL-WH
CROSSBLADE REFLECTOR



REFLECTOR FINISH:
CL

RING FINISH:
WH, BK, SN, CP, CH, PB, BZ

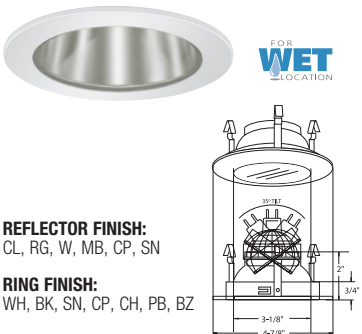
B1462CL-WH
SEMI-FROSTED SHOWER TRIM



REFLECTOR FINISH:
CL, RG, W, MB, CP, SN

RING FINISH:
WH, BK, SN, CP, CH, PB, BZ

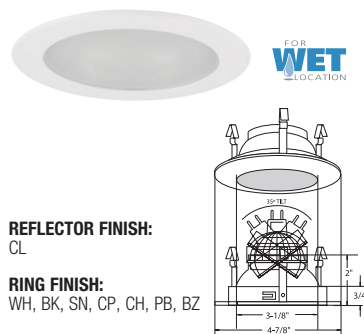
B1452CL-WH
CLEAR LENS SHOWER TRIM



REFLECTOR FINISH:
CL, RG, W, MB, CP, SN

RING FINISH:
WH, BK, SN, CP, CH, PB, BZ

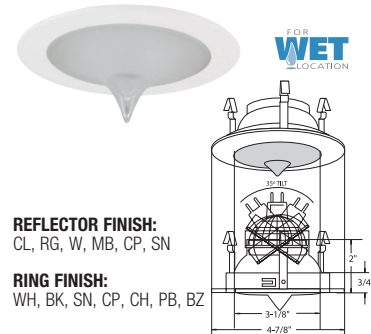
B1437WH
SMOOTH FROST SHOWER LITE



REFLECTOR FINISH:
CL

RING FINISH:
WH, BK, SN, CP, CH, PB, BZ

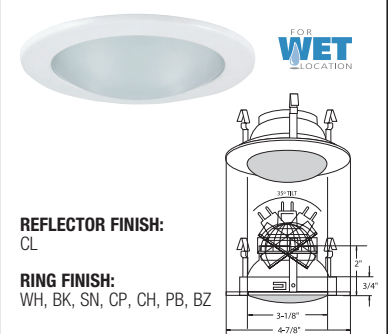
B1438WH
DESIGNER POINT SHOWER LITE



REFLECTOR FINISH:
CL, RG, W, MB, CP, SN

RING FINISH:
WH, BK, SN, CP, CH, PB, BZ

B1439WH
SMOOTH FROST DOME SHOWER LITE



REFLECTOR FINISH:
CL

RING FINISH:
WH, BK, SN, CP, CH, PB, BZ

4"

Low Voltage Trims

(LAMP WATTAGE: 75W 12V MR16 / 50W 120V GU10)

Catalog Number:

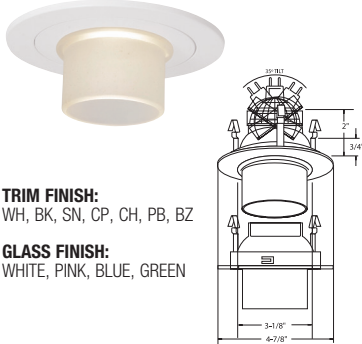
Project Name:

Type:

Note:



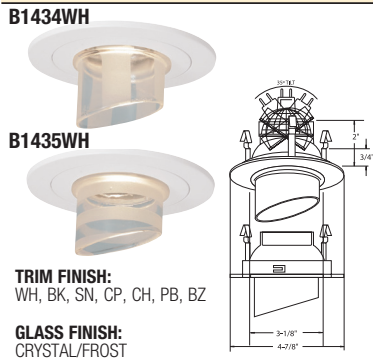
B1436WH
CYLINDER LITE



TRIM FINISH:
WH, BK, SN, CP, CH, PB, BZ

GLASS FINISH:
WHITE, PINK, BLUE, GREEN

B1434WH / B1435WH
STRIPE WALL WASH LITE



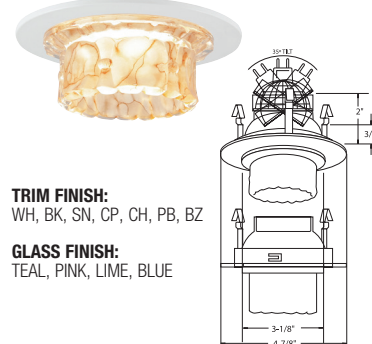
B1434WH

B1435WH

TRIM FINISH:
WH, BK, SN, CP, CH, PB, BZ

GLASS FINISH:
CRYSTAL/FROST

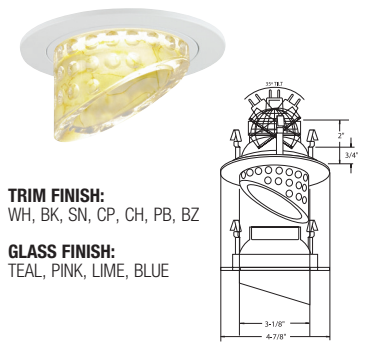
B1440WH-PINK
TULIP LITE



TRIM FINISH:
WH, BK, SN, CP, CH, PB, BZ

GLASS FINISH:
TEAL, PINK, LIME, BLUE

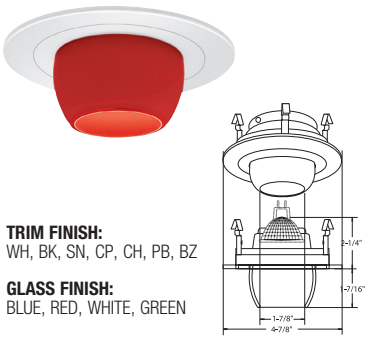
B1441WH-LIME
DESIGNER WALL WASH LITE



TRIM FINISH:
WH, BK, SN, CP, CH, PB, BZ

GLASS FINISH:
TEAL, PINK, LIME, BLUE

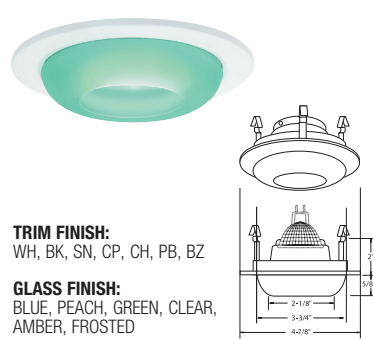
B1424WH-RED
METROPOLITAN HONEY LITE



TRIM FINISH:
WH, BK, SN, CP, CH, PB, BZ

GLASS FINISH:
BLUE, RED, WHITE, GREEN

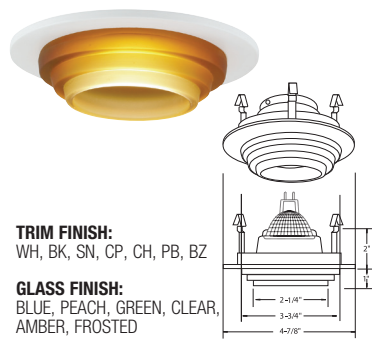
B1420WH-GREEN
METROPOLITAN MOON LITE



TRIM FINISH:
WH, BK, SN, CP, CH, PB, BZ

GLASS FINISH:
BLUE, PEACH, GREEN, CLEAR, AMBER, FROSTED

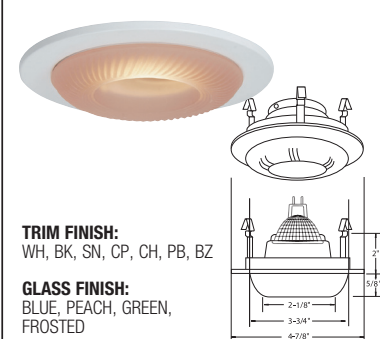
B1425WH-AMBER
METROPOLITAN STEP LITE



TRIM FINISH:
WH, BK, SN, CP, CH, PB, BZ

GLASS FINISH:
BLUE, PEACH, GREEN, CLEAR, AMBER, FROSTED

B1442WH-PEACH
DESIGNER MOON LITE



TRIM FINISH:
WH, BK, SN, CP, CH, PB, BZ

GLASS FINISH:
BLUE, PEACH, GREEN, FROSTED

B1431WH
CRYSTAL STRIPE LITE



TRIM FINISH:
WH, BK, SN, CP, CH, PB, BZ

GLASS FINISH:
CRYSTAL/FROST

B1432WH
WALL WASH FROST LITE



TRIM FINISH:
WH, BK, SN, CP, CH, PB, BZ

GLASS FINISH:
WHITE, PINK, BLUE, GREEN

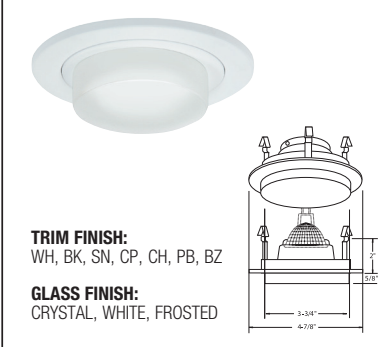
B1421WH-FROSTED
MINI-STEP LENS LITE



TRIM FINISH:
WH, BK, SN, CP, CH, PB, BZ

GLASS FINISH:
FROSTED

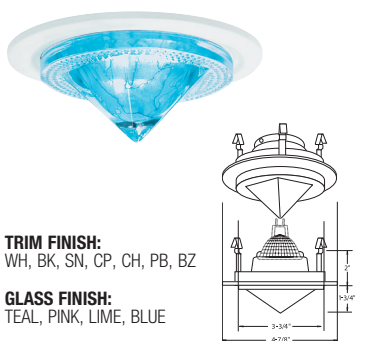
B1423WH-WHITE
METROPOLITAN OPAL LENS LITE



TRIM FINISH:
WH, BK, SN, CP, CH, PB, BZ

GLASS FINISH:
CRYSTAL, WHITE, FROSTED

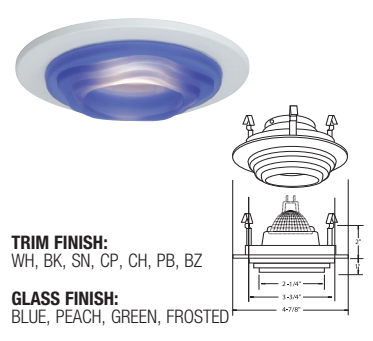
B1409WH-BLUE
PYRAMID GLASS LITE



TRIM FINISH:
WH, BK, SN, CP, CH, PB, BZ

GLASS FINISH:
TEAL, PINK, LIME, BLUE

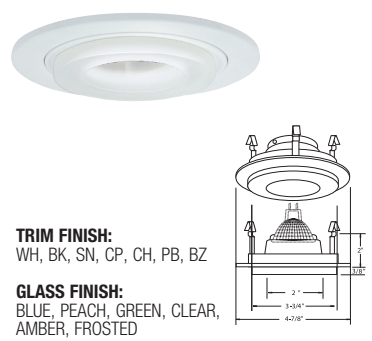
B1469WH-BLUE
DESIGNER STEP LITE



TRIM FINISH:
WH, BK, SN, CP, CH, PB, BZ

GLASS FINISH:
BLUE, PEACH, GREEN, FROSTED

B1422WH-FROSTED
METROPOLITAN ICE LITE



TRIM FINISH:
WH, BK, SN, CP, CH, PB, BZ

GLASS FINISH:
BLUE, PEACH, GREEN, CLEAR, AMBER, FROSTED

B1430WH
CRYSTAL ROSE LITE



TRIM FINISH:
WH, BK, SN, CP, CH, PB, BZ

GLASS FINISH:
CRYSTAL