



FEATURES

Introducing our **Decorative Harmony LED Pendant**, the pinnacle of high-performance suspended fixtures designed to emanate a seamlessly distributed luminous glow.

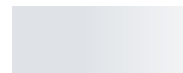
Available in **three different sizes and offering a suspended mount option**, HARMONY LED Pendant is a testament to modern aesthetics and high-quality materials. The flexible **silicone diffuser** and premium **aluminum body** ensure captivating elegance and appearance.

Choose from **two captivating colors – Black or White** – or select from a range of RAL colors to seamlessly complement any interior style. With the **Decorative HARMONY LED Pendant**, you are not just adding light; you are elevating your space with **style and advanced technology**, transforming mere lighting into an artful experience.

COLORS

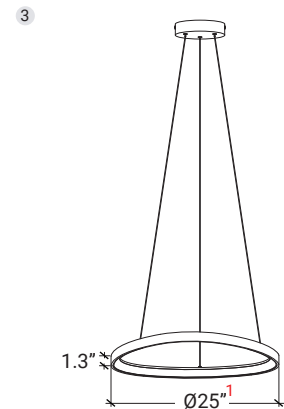
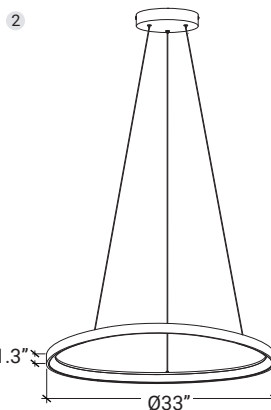
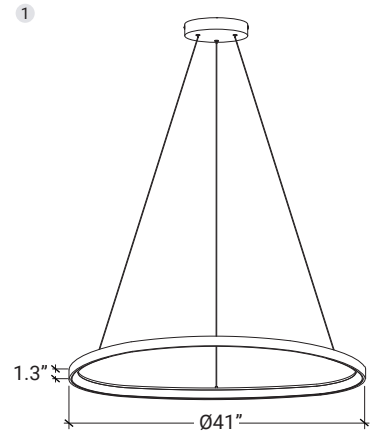
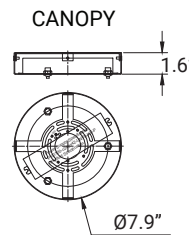


Black



White

DIMENSIONS



1. Luminaire with a diameter of 25" comes with a Ø7.1" canopy.

LUMENS	3000L, 4000L, 6500L
CCT	3000K / 3500K / 4000K
CRI	90+
POWER	50W, 60W, 80W
RING SIZE	25", 33", 41", Ø Diameter
MOUNTING	Suspended Mount (Adjustable 10-ft length cords)
IP RATING	IP 20
COLOR	Black, White, Custom RAL
DIMMING	DIMTR (TRIAC), DIM10 (0-10V)
LIFE TIME	L70 at 50,000 hours

SIZE	LUMENS	WATTS
Ø25"	3000L	50W
Ø33"	4000L	60W
Ø41"	6500L	80W



OPTICS & PERFORMANCE

The optical system delivers high-efficiency LED light that passes through a one-piece, high-quality silicone lens, ensuring optimal distribution patterns. This design creates a glare-free and even distribution of light. The ingenious technology minimizes glare and eradicates any hot spots, providing unrivaled light control.

The one-piece diffuser disperses light evenly in every direction. As a result, it produces a seamless and ambient glow, transforming your environment into a captivating haven of illumination.

CONSTRUCTION

The aluminum body integrated with a one-piece silicone diffuser creates a strikingly contemporary design. This luminaire, constructed with premium silicone and high-quality aluminum materials, showcases modern aesthetics and durability.

Engineered to perfection, our cutting-edge lighting solution includes essential features such as 10ft adjustable aircraft cables and an integral driver for effortless installation and impeccable performance. With its seamless fusion of form and function, this LED masterpiece delivers unparalleled illumination, creating an ambiance of refined elegance and technical excellence that complements any modern setting.

MOUNTING

Suspended mount option. Delivered with adjustable 10-ft length cords, our pendant mount provides the flexibility you need for a seamless installation. Engineered to accommodate various mounting heights and ceiling types, this lighting solution offers adaptability to suit any space.

For added convenience, our canopy can be directly mounted to the junction box, facilitating below-the-ceiling access for easy maintenance and servicing.

ELECTRICAL

Driver is rated for 50 to 60Hz at 120V input, produces less than 20% THD, has a power factor between 90% and 100%, and is thermally protected for additional safety.

DIMMING & DRIVER INFORMATION

DIMTR - Triac & Electronic low voltage dimming. Available in 120V
DIM10 Flicker Free 1% Dimming Standard (DIM10) 0-10V dimming on either MVOLT 120 or 277V. 347V please consult factory.

WARRANTY

Five-year warranty for parts and components. (Labor not included)

LISTINGS

c-UL-us - Listed

Example: AP-HARMONY-LED-25-3000L-DIMTR/120-DIM10/MVOLT-30K/35K/40K-90-WH-SM

SERIES	LUMINAIRE SIZE	LUMENS	DIMMING/VOLTAGE	CCT	CRI	COLOR	EMERGENCY	MOUNTING
AP-HARMONY-LED	25 - Ø25.5" 33 - Ø33.4" 41 - Ø41.3"	3000L - 3000L 4000L - 4000L 6500L - 6500L	DIMTR/120-DIM10/MVOLT <small>Triac Dimming 120V/0-10V Dimmable in 120-277V</small>	30K/35K/40K -3000K-3500K-4000K	90 - 90+	WH - White BK - Black RAL - Consult factory	0-EMG-LED-10W 0-EMG-LED-20W Remote Mount Please consult factory.	SM - Suspended Mount