



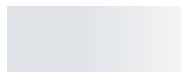
FEATURES

Introducing our **Decorative BLISS LED Pendant**, the pinnacle of high-performance suspended fixtures designed to emanate a seamlessly distributed luminous glow.

Available in **two different sizes and offering a suspended mount option**, BLISS LED Pendant is a testament to modern aesthetics and high-quality materials. Its one-piece flexible **PC diffuser** and premium **metal body** ensure captivating elegance and appearance.

Choose from **two captivating colors – Black or White** – or select from a range of RAL colors to seamlessly complement any interior style. With the **Decorative BLISS LED Pendant**, you are not just adding light; you are elevating your space with **style and advanced technology**, transforming mere lighting into an artful experience.

COLORS

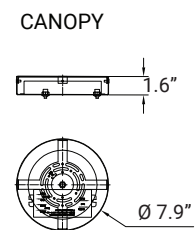
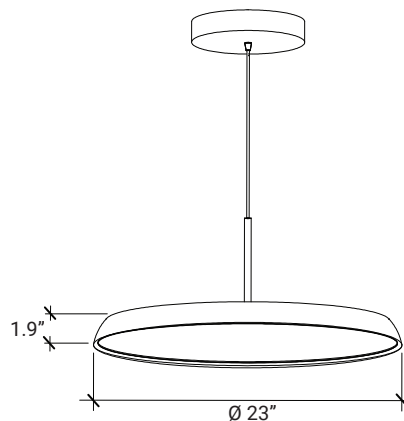
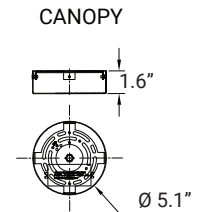
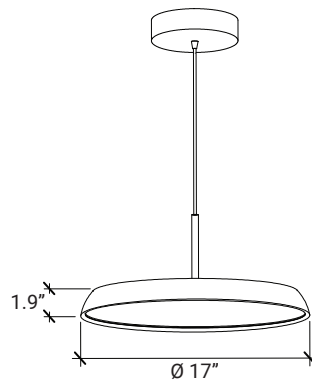


White



Black

DIMENSIONS



LUMENS	2500L, 3000L
CCT	3000K / 3500K / 4000K
CRI	90+
POWER	40W, 50W
RING SIZE	17", 23", Ø Diameter
MOUNTING	Suspended Mount (Adjustable 10ft length cord)
IP RATING	IP 20
COLOR	White, Black, Custom RAL
DIMMING	DIMTR (TRIAC), DIM10 (0-10V)
LIFE TIME	L70 at 50,000 hours

SIZE	LUMENS	WATTS
Ø17"	2500L	40W
Ø23"	3000L	50W



OPTICS & PERFORMANCE

The optical system delivers high-efficiency LED light that passes through a one-piece, high-quality (PC) Polycarbonate lens, ensuring optimal distribution patterns. This design creates a glare-free and even distribution of light. The ingenious technology minimizes glare and eradicates any hot spots, providing unrivaled light control.

The one-piece lens disperses light evenly in every direction. As a result, it produces a seamless and ambient glow, transforming your environment into a captivating haven of illumination.

CONSTRUCTION

The metal body integrated with a one-piece (PC) Polycarbonate lens, creates a strikingly contemporary design. This luminaire, constructed with premium metal showcases modern aesthetics and durability.

Engineered to perfection, our cutting-edge lighting solution includes essential features such as a 10ft adjustable aircraft cable and an integral driver for effortless installation and impeccable performance. With its seamless fusion of form and function, this LED masterpiece delivers unparalleled illumination, creating an ambiance of refined elegance and technical excellence that complements any modern setting.

MOUNTING

Suspended mount option. Delivered with an adjustable 10ft length cord, our pendant mount provides the flexibility you need for a seamless installation. Engineered to accommodate various mounting heights and ceiling types, this lighting solution offers adaptability to suit any space.

For added convenience, our canopy can be directly mounted to the junction box, facilitating below-the-ceiling access for easy maintenance and servicing.

ELECTRICAL

Driver is rated for 50 to 60Hz at 120V input, produces less than 20% THD, has a power factor between 90% and 100%, and is thermally protected for additional safety.

DIMMING & DRIVER INFORMATION

DIMTR - Triac & Electronic low voltage dimming. Available in 120V **DIM10** Flicker Free 1% Dimming Standard (DIM10) 0-10V dimming on either MVOLT 120 or 277V. 347V please consult factory.

WARRANTY

Five-year warranty for parts and components. (Labor not included)

LISTINGS

c-UL-us - Listed

Example: AP-BLISS-LED-17-2500L-DIMTR/120-DIM10/MVOLT-30K/35K/40K-90-WH-SM

SERIES	LUMINAIRE SIZE	LUMENS	DIMMING/VOLTAGE	CCT	CRI	COLOR	EMERGENCY	MOUNTING
AP-BLISS-LED	17 - 17.7" Ø 23 - 23.6" Ø	2500L -2500L 3000L -3000L	DIMTR/120-DIM10/MVOLT <small>Triac Dimming 120V/0-10V Dimmable in 120-277V</small>	30K/35K/40K - 3000K-3500K-4000K	90 - 90+	WH - White BK - Black RAL- Consult factory	0-EMG-LED-10W 0-EMG-LED-20W Remote Mount Please consult factory.	SM - Suspended Mount