

A2-LED-R

2" Architectural Remodel LED Downlight

Catalog Number:

Project Name:

Note:

Type:

up to 16 Watts / up to 1000 Lumens



DESCRIPTION

The A2-LED architectural downlight provides unparalleled versatility in a small 2" aperture, delivering a powerful and precise beam of light, with uniform, glare-free illumination.

TECHNOLOGY

Designed with superior LED technology, it offers a multitude of beam distributions, a CRI of 90+, up to 1000 lumens, 1% dimming, and an option for warm dim technology.

INSTALLATION

Included is a unique rotate and lock into position function, providing easy-installation and adjustability.

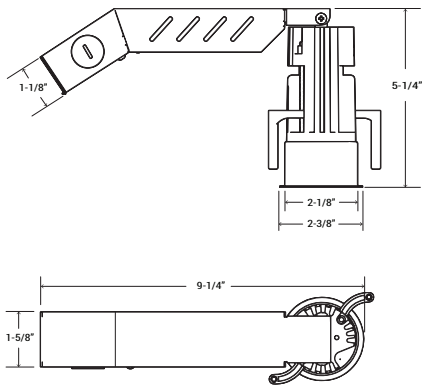
HOUSING

Thermally protected, specification grade recessed housing. For new construction and remodel insulated ceilings where housing will be in direct contact with insulation. Die-formed all aluminum construction matt black painted for maximum heat dissipation, rust protection and glare free illumination.

TRIMS

Offered with interchangeable round and square trims, multiple finish options, it provides the Elite source in flexibility.

DIMENSION



SPECIFICATIONS:

LUMENS	750 / 1000 lumens
WATTAGE	12W / 16W
CCT	27K, 30K, 35K, 40K
CRI	90
LIGHT EFFICIENCY	up to 63 lumens/watt
DIMMING	0-10V Dimming / Triac Dimming
VOLTAGE	120-277 VAC
POWER FREQUENCY	50/60 Hz
FINISH	Black
APPLICABLE ENVIRONMENT	Dry/Damp Location IC rated at 750L

OPTICS



DIMMABLE
0-10V DIMMING

5 YEARS
LIMITED
WARRANTY



IC rated at 750L

Ordering Guide > Example: **A2-LED-R-750L-DIM10-MVOLT-MD-30K-90-A2R-F-1201-W-WH**

SERIES	PERFORMANCE	DIMMING	VOLTAGE	OPTICS	CCT	CRI	TRIMS/COLORS	OPTION																				
A2-LED-R 2" Remodel Architectural Downlight	750L - 750 lumens 1000L - 1000 lumens	DIM10 - 0-10V Dimming DIMTR - Triac Dimming	MVOLT - 120-277V (only for DIM10) 120V - 120V (only for DIMTR)	VND - 15° (Very Narrow) ND - 26° (Narrow) MD - 38° (Medium) WD - 50° (Wide)	27K - 2700K 30K - 3000K 35K - 3500K 40K - 4000K	90 - 90 CRI	<table border="1"> <thead> <tr> <th>ROUND</th> <th>COLORS</th> </tr> </thead> <tbody> <tr> <td>A2R-F-1201</td> <td>W-WH, SN-SN</td> </tr> <tr> <td>A2R-F-1202</td> <td>W-WH, CL-WH, SN-SN</td> </tr> <tr> <td>A2R-F-1227</td> <td>W-WH, SN-SN</td> </tr> <tr> <td>A2R-F-1228</td> <td>W-WH, CL-WH, SN-SN</td> </tr> <tr> <th>SQUARE</th> <th>COLORS</th> </tr> <tr> <td>A2S-F-1201</td> <td>W-WH</td> </tr> <tr> <td>A2S-F-1202</td> <td>W-WH</td> </tr> <tr> <td>A2S-F-1227</td> <td>W-WH</td> </tr> <tr> <td>A2S-F-1228</td> <td>W-WH</td> </tr> </tbody> </table>	ROUND	COLORS	A2R-F-1201	W-WH, SN-SN	A2R-F-1202	W-WH, CL-WH, SN-SN	A2R-F-1227	W-WH, SN-SN	A2R-F-1228	W-WH, CL-WH, SN-SN	SQUARE	COLORS	A2S-F-1201	W-WH	A2S-F-1202	W-WH	A2S-F-1227	W-WH	A2S-F-1228	W-WH	A2-LED-FR Frame for new construction option w/o bar hanger A2-LED-FR-BP30 Frame for new construction option with bar hanger
ROUND	COLORS																											
A2R-F-1201	W-WH, SN-SN																											
A2R-F-1202	W-WH, CL-WH, SN-SN																											
A2R-F-1227	W-WH, SN-SN																											
A2R-F-1228	W-WH, CL-WH, SN-SN																											
SQUARE	COLORS																											
A2S-F-1201	W-WH																											
A2S-F-1202	W-WH																											
A2S-F-1227	W-WH																											
A2S-F-1228	W-WH																											

A2-LED-R

2" Architectural Remodel LED Downlight

Catalog Number:

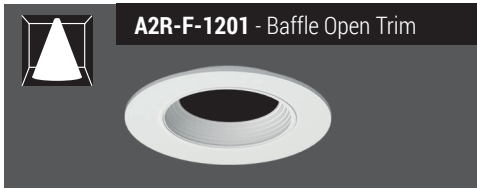
Project Name:

Note:

Type:

ROUND / SQUARE TRIMS

Round Flanged Trims



AVAILABLE COLOR OPTIONS:
W-WH (White-White)
SN-SN (Satin Nickel-Satin Nickel)



AVAILABLE COLOR OPTIONS:
W-WH (White-White)
SN-SN (Satin Nickel-Satin Nickel)



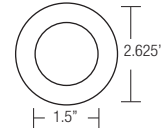
AVAILABLE COLOR OPTIONS:
W-WH (White-White)
CL-WH (Clear-White)
SN-SN (Satin Nickel-Satin Nickel)



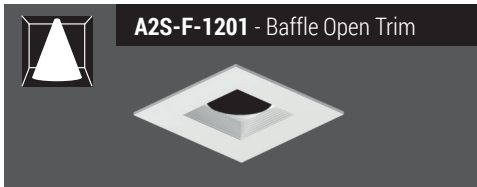
AVAILABLE COLOR OPTIONS:
W-WH (White-White)
CL-WH (Clear-White)
SN-SN (Satin Nickel-Satin Nickel)

TRIM OPTION:

Post-painted powder coated die-cast trim available in white and custom colors. Please consult factory for custom paint color options. Trims attach to the housing with piano springs for snug fit and zero light leakage.



Square Flanged Trims



AVAILABLE COLOR OPTION:
W-WH (White-White)



AVAILABLE COLOR OPTION:
W-WH (White-White)



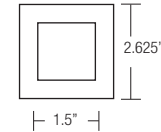
AVAILABLE COLOR OPTION:
W-WH (White-White)



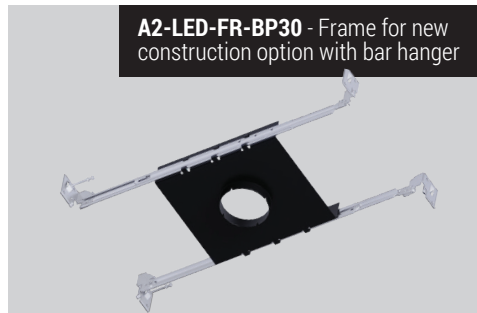
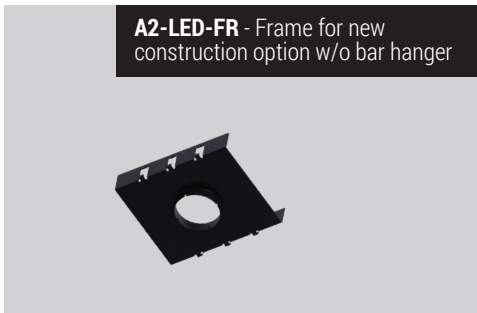
AVAILABLE COLOR OPTION:
W-WH (White-White)

TRIM OPTION:

Post-painted powder coated die-cast trim available in white and custom colors. Please consult factory for custom paint color options. Trims attach to the housing with piano springs for snug fit and zero light leakage.



Frame for New Construction



A2-LED-R-1200L-DIM10-MVOLT-MD-40K-90-A2R-F-1202-W-WH

TEST NO.: EL06152261

INPUT WATTS: 19.4

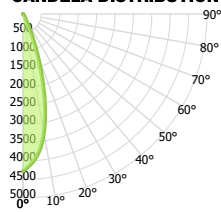
LUMENS: 1434

EFFICACY: 74

BEAM ANGLE: 31

SPACING CRITERIA: 0.51

CANDELA DISTRIBUTION



CANDELA TABLE

Table with 2 columns: angle (0-90 degrees) and candela values.

LUMINANCE (cd/sq.m)

Table with 2 columns: angle (0.00-90.00 degrees) and luminance values.

LUMENS PER ZONE

Table with 2 columns: zone (0-10 to 80-90 degrees) and lumens.

ZONAL LUMEN SUMMARY

Table with 3 columns: zone, lumens, and % luminaire.

CONE OF LIGHT

Table with 4 columns: mounting height, FC at beam center, beam dia., and beam dia. at 90-270 degrees.

INDOOR COEFFICIENTS OF UTILIZATION

Large table with multiple columns for utilization coefficients (80%, 70%, 20%, 50%, 30%, 10%) and room parameters (pw, pc).

A2-LED-R-1200L-DIM10-MVOLT-ND-40K-90-A2R-F-1202-W-WH

TEST NO.: EL06152261

INPUT WATTS: 19.4

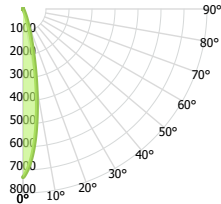
LUMENS: 1434

EFFICACY: 74

BEAM ANGLE: 23

SPACING CRITERIA: 0.32

CANDELA DISTRIBUTION



CANDELA TABLE

Table with 2 columns: angle (0-90 degrees) and candela values.

LUMINANCE (cd/sq.m)

Table with 2 columns: angle (0.00-90.00 degrees) and luminance values.

LUMENS PER ZONE

Table with 2 columns: zone (0-10 to 80-90 degrees) and lumens.

ZONAL LUMEN SUMMARY

Table with 3 columns: zone, lumens, and % luminaire.

CONE OF LIGHT

Table with 4 columns: mounting height, FC at beam center, beam dia., and beam dia. at 90-270 degrees.

INDOOR COEFFICIENTS OF UTILIZATION

Large table with multiple columns for utilization coefficients (80%, 70%, 20%, 50%, 30%, 10%) and room parameters (pw, pc).

A2-LED-R-1200L-DIM10-MVOLT-SP-40K-90-A2R-F-1202-W-WH

TEST NO.: EL06152261

INPUT WATTS: 19.4

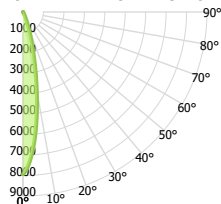
LUMENS: 1291

EFFICACY: 67

BEAM ANGLE: 20

SPACING CRITERIA: 0.33

CANDELA DISTRIBUTION



CANDELA TABLE

Table with 2 columns: angle (0-90 degrees) and candela values.

LUMINANCE (cd/sq.m)

Table with 2 columns: angle (0.00-90.00 degrees) and luminance values.

LUMENS PER ZONE

Table with 2 columns: zone (0-10 to 80-90 degrees) and lumens.

ZONAL LUMEN SUMMARY

Table with 3 columns: zone, lumens, and % luminaire.

CONE OF LIGHT

Table with 4 columns: mounting height, FC at beam center, beam dia., and beam dia. at 90-270 degrees.

INDOOR COEFFICIENTS OF UTILIZATION

Large table with multiple columns for utilization coefficients (80%, 70%, 20%, 50%, 30%, 10%) and room parameters (pw, pc).