



FOR REMODEL NON-IC MOUNTING

Small aperture thermally protected remodel housing. For fast, easy installation from below the ceiling in existing plaster or mechanical ceilings. Three remodel clips can be accessed from below the ceiling to remove fixture and access the driver.

INSTALLATION - Three pre-installed spring clips secure the housing firmly into ceiling, accommodating different ceiling thicknesses from 1/2" to 1-1/4".

DIMMING & DRIVER INFORMATION

DIM10 - 0-10V dimming on either MVOLT 120V. Dimmable down to 5% of initial lumens, standard.

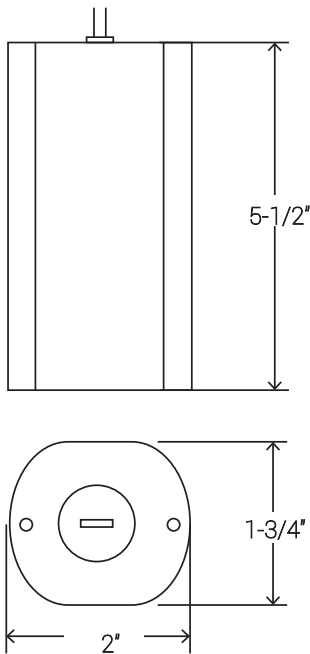
DIMTR - Triac & Electronic low voltage dimming. Available in 120V only.

LABELS

c-UL-us listed for damp location
c-UL-us listed for feed through wiring

WARRANTY

5-year limited warranty for parts and components (labor not included).

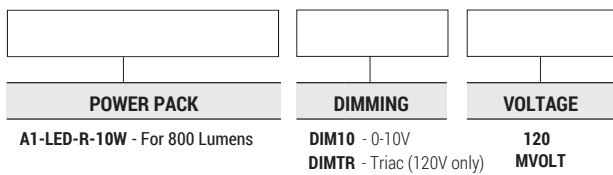


NOMINAL LUMENS	DELIVERED LUMENS	WATTAGE
800	766	10W
1000	1008	14W

Based on 3000K, 90+ CRI. Actual wattage may vary +/- 5%

LUMENS	800 - A1-LED-R-10W 1000 - A1-LED-R-15W
DIMMING	DIM10 (0-10V dimming), DIMTR (Triac-120V only)
VOLTAGE	120V, MVOLT

Example: A1-LED-R-10W-DIM10-MVOLT



*Remodel : When installed in hard lid ceilings.

DIMTR - only 120V



TRIM OPTIONS



A1S-F-1102-LED -
1" Square Flanged LED
Adjustable and Fixed
Downlight

Example: A1S-F-1102-LED-800L-MD-30K-90-CL-WH

SERIES	PERFORMANCE	DISTRIBUTION	CCT	CRI	REFLECTOR/TRIM
A1S-F-1102-LED	800L - 800 lumens 1000L - 1000 lumens	MD - Medium	27K - 2700K 30K - 3000K 35K - 3500K 40K - 4000K 50K - 5000K *50K - 85CRI	90 - 90 CRI	CL-WH - Chrome/White W-WH - White/White
<p>800L - only 10W new construction and remodel housing 1000L - only 15W new construction and remodel housing</p>					



A1S-TL-1102-LED -
1" Square Trimless LED
Adjustable and Fixed
Downlight

Example: A1S-TL-1102-LED-800L-MD-30K-90-CL-WH

SERIES	PERFORMANCE	DISTRIBUTION	CCT	CRI	FINISH
A1S-TL-1102-LED	800L - 800 lumens 1000L - 1000 lumens	MD - Medium	27K - 2700K 30K - 3000K 35K - 3500K 40K - 4000K 50K - 5000K *50K - 85CRI	90 - 90 CRI	CL - Chrome WH - White
<p>800L - only 10W new construction and remodel housing 1000L - only 15W new construction and remodel housing</p>					