



**FOR REMODEL NON-IC MOUNTING**

Small aperture thermally protected remodel housing. For fast, easy installation from below the ceiling in existing plaster or mechanical ceilings. Three remodel clips can be accessed from below the ceiling to remove fixture and access the driver.

**INSTALLATION** - Three pre-installed spring clips secure the housing firmly into ceiling, accommodating different ceiling thicknesses from 1/2" to 1-1/4".

**DIMMING & DRIVER INFORMATION**

DIM10 - 0-10V dimming on either MVOLT 120V. Dimmable down to 5% of initial lumens, standard.

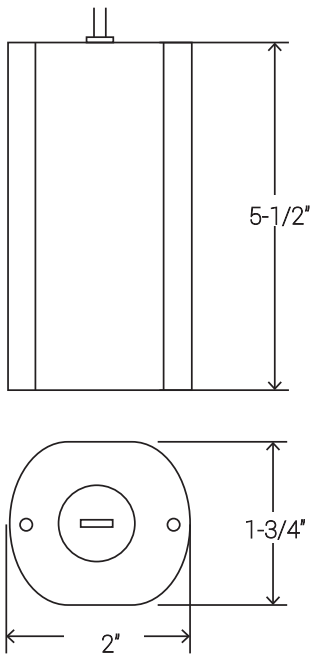
DIMTR - Triac & Electronic low voltage dimming. Available in 120V only.

**LABELS**

c-UL-us listed for damp location  
c-UL-us listed for feed through wiring

**WARRANTY**

5-year limited warranty for parts and components (labor not included).



<b>LUMENS</b>	800 - <b>A1-LED-R-10W</b> 1000 - <b>A1-LED-R-15W</b>
<b>DIMMING</b>	DIM10 (0-10V dimming), DIMTR ( Triac-120V only)
<b>VOLTAGE</b>	120V, MVOLT

NOMINAL LUMENS	DELIVERED LUMENS	WATTAGE
800	766	10W
1000	1008	14W

Based on 3000K, 90+ CRI. Actual wattage may vary +/- 5%

**Example: A1-LED-R-10W-DIM10-MVOLT**

