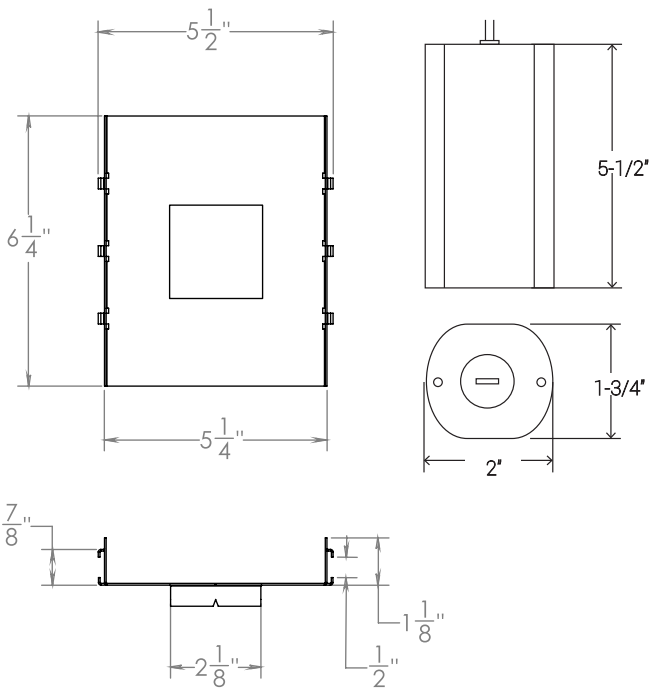
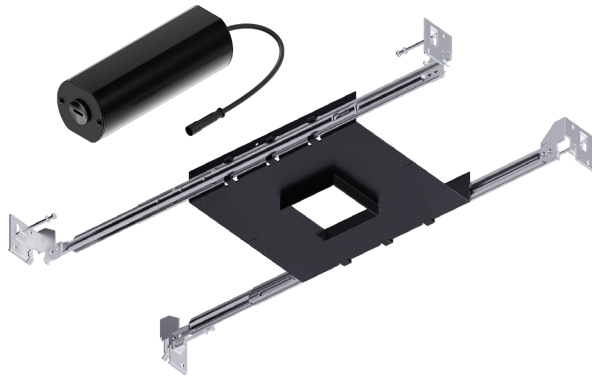


For New Construction Non-IC Housing Mounting Tray for 1" Square LED



IC HOUSING

Thermally protected, specification grade adjustable recessed housing. For new construction insulated ceilings where housing will be in direct contact with insulation. Die-formed all aluminum construction matte black painted for maximum heat dissipation, rust protection and glare free illumination.

ELECTRICAL/TRANSFORMER

Junction box and driver can be accessed from below the ceiling and above the ceiling. Junction box is listed for through branch circuit wiring, 12 AWG 90° C supply conductors, and has four 1/2" KOs, one 3/4" KO and four Romex knockouts with true pry-out slots and strain clamps.

DIMMING & DRIVER INFORMATION

DIM10 - 0-10V dimming on either MVOLT 120V or 277V. Dimmable down to 5% of initial lumens, standard.

DIMTR - Triac & Electronic low voltage dimming. Available in 120V only.

ACCESSIBLE DRIVER

Driver is connected to wire, which is attached to body of luminaire. Driver is housed within the housing, and can be accessed from below the ceiling by a simple pull-down mechanism

MOUNTING

Pre-installed bar hangers allow housing to be positioned and locked at any point within a 24" joist span. They can be positioned on either the long or short axis of the housing and can be shortened for 12" joists. A double-headed real nail attaches housing securely into the joist. Bar hanger nails are installed on a 20° downward angle for better contact, and the 90° pivoting mounting plate makes installation fast and accurate. Bar hangers can fit onto T-Bar spline with additional slots and holes for special mounting methods if necessary. 18-gauge steel butterfly brackets can be adjusted vertically. Butterfly brackets may be installed with 3/4" or 1-1/2" lathing channel, 1/2" EMT, or optional C-Channel mounting bars are available.

LABELS

- c-UL-us listed for damp location
- c-UL-us listed for feed through wiring
- c-UL-us listed for direct contact with insulation

WARRANTY

5-year limited warranty for parts and components (labor not included).

NOMINAL LUMENS	DELIVERED LUMENS	WATTAGE
800	861	10W
1000	1007	14W

Based on 3000K, 90+ CRI. Actual wattage may vary +/- 5%

LUMENS	800 - A1S-LED-R-10W 1000 - A1S-LED-R-15W
DIMMING	DIM10 (0-10V dimming), DIMTR (Triac-120V only)
VOLTAGE	120V, 277V, MVOLT

