

# T8/T5, 4' & 8' SHIELD BEAM FLUORESCENT HIGH BAY (2, 3, 4, 6 AND 8 LAMP) WITH CROSS BAFFLE

**SDB**  
Series



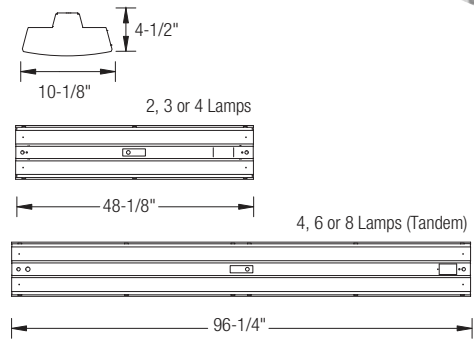
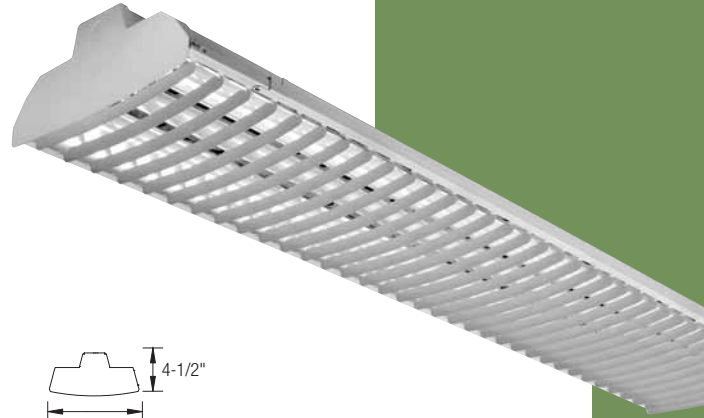
**APPLICATION:**

Oracle Shield Beam High Bays are ideal for any retail application that requires great performance with the capabilities to reduce glare in typical high bays. Other applications includes schools, warehouses and offices.

**PRODUCT FEATURES:**

- Fixture is designed with a flat blade cross baffle to provide high viewing lamp shielding to reduce brightness and glare.
- Oracle shield Beam Fluorescent High Bay offers a great alternative to traditional Metal Halide fixtures.
- Channel is formed of code gauge steel to resist the most demanding environments.
- Constructed of one-piece ribbed unitized housing and corners that interlock to prevent aesthetically damage to fixture..
- Post painted high-gloss enamel finish ensures maximum adhesion and rust resistance.
- Hinged doorframe allows for easy relamping and maintenance.
- All sides and corners are turned in and hemmed removing sharp edges for safe handling and installation.
- High efficiency premium grade reflector is slotted to provide 20% uplight.
- Comes standard with GE pro line multi-volt ballast (120/277V) for T8 models or Advance High Temperature Centium electronic 120-277V ballast for T5HO.
- Suitable for suspension by Chain, cable, pendant, or can also be surface mounted.
- Using the latest optical technology our shield Beam luminaire out performs conventional MH fixtures while maintaining minimal energy consumption.
- CEE qualified ballast found standard on most fixture options (Consult factory for details).
- NEC required ballast disconnect is standard.

LISTING - UL/ C-UL listed to US and Canadian standards.  
WARRANTY - Guaranteed for five years against mechanical defects.



**Ordering Information** EXAMPLE: 8-SDB-6-32-T8

<b>SDB</b>									
FIXTURE SIZE	SERIES	LAMPS	LAMP TYPE	VOLTAGE	# OF BALLAST	BALLAST FACTOR	LAMPS INSTALLED		
4 - 4'	SDB - Oracle	4' FIXTURE	32-T8 - 32W T8	(Blank) - MVOLT (120/277)	2, 3, 4 lamps	(Blank) - High BF	(Blank) - No lamps		
8 - 8'	Shield Beam	2	28-T5 - 28W T5	120	(Blank) - 1 Ballast	NBF - Normal BF	L30K - 3000K		
	Industrial Series	3	54-T5HO - 54W T5HO	277	2 - 2 Ballasts	LBF - Low BF	L35K - 3500K		
		4		347	6,8 lamps		L41K - 4100K		
		8' TANDEM FIXTURE		480	(Blank) - 2 Ballast		L50K - 5000K		
		4			3 - 3 Ballasts				
		6							
		8							

BALLAST CONFIGURATION & CODE		
32W/T8	54W/T5HO	DESCRIPTION
(Blank)	-	Electronic Instant Start
EPS	(Blank)	Electronic Program Start

Consult Factory for Advance & Lutron dimming options.

T8/T5  
SDB



Shield Beam Fluorescent 2, 3, 4, 6, 8 Lamp High Bay

STANDARD BALLAST INFO						
LAMP	# OF LAMPS	LINE VOLTS	Ballast Factor	Power Factor% (>=)	THD% (<=)	Min. Starting Temp (*F/C)
F32T8	2, 3, 4, 6, 8	120/ 277	1.15	99	10	-22/ -30
F54T5HO	2, 3, 4, 6, 8	120/ 277	1	98	10	-20/ -29

WIRING OPTIONS	
PCSB120	- 10' Nema 5-15R 120V Straight Blade Plug
PCSB277	- 10' Nema 7-15R 277V Straight Blade Plug
PCTL120	- 10' Nema L5-15R 120V Twist Lock Plug
PCTL277	- 10' Nema L7-15R 277V Twist Lock Plug
S01	- 10' 120V/277V SO Cord
S02	- 10' 480V SO Cord
C3	- 6' 3-wire Flex Cable (Single Circuit)
C4	- 6' 4-wire Flex Cable (Double Circuit)

OTHER OPTIONS	
MH	- Mounting Hub
GSSP	- Gripple Suspension System
GSSP	- Gripple System with Paddles
VHCH	- V-Hook with chain kit
CH	- Chain with S hooks
VH	- V Hook
MS	- Motion Sensor
MSPH	- Motion Sensor with Photocell
GL	- Generic Lamps Installed
NCB	- No Cross Baffle
USA	- Made in America Compliance

(Consult Factory for 208V, 248V, 347V and 480V wiring)