

NOMINAL LUMENS	DELIVERED LUMENS	WATTAGE
10000	10104	73 W
8000	7935	58 W
6000	6304	43 W
4000	3935	29 W

Based on 4000K, 85+ CRI. Actual wattage may vary +/- 5%

FEATURES

The ORW is a high output wrap perfect for replacing outdated fluorescent fixtures. Shallow, lightweight profile is easy to install and maintain. Ideal for general illumination in commercial, industrial and residential applications.

LUMENS	4000, 6000, 8000, 10000
CCT	30K, 35K, 40K, 50K
CRI	85+
COLOR QUALITY	3 Step MacAdam Ellipse
LENGTH	8"
MOUNTING	Suspended or Surface
DIMMING & CONTROL	0-10V Flicker Free 10% Dimming Standard (DIM10), LUTH and DIMST
EMERGENCY	10W - Up to 1000L output 20W - Up to 2000L output
LIFETIME	L70 at 50,000 Hours
PHOTOMETRIC TESTS	In Accordance with IES LM79-08, LM80 and TM-30, TM-21



OPTICS

Acrylic light panels: one center and two side panels angled inward to center—providing non-yellowing and durability over time and high output. Delivering 95% transmission and 89% haze (light diffusion level) properties, yielding both high light output and optimal diffusion of light, resulting in volumetric lighting distributing light evenly in all directions.

CONSTRUCTION

20-gauge steel housing. High-gloss baked white enamel finish, pretreated with rust-inhibiting five-stage iron coating for top corrosion-resistance. Corners hemmed for safe handling.

DRIVER ELECTRICAL INFORMATION

Powered by high-quality constant-current power LED drivers which are rated for 50 to 60Hz at 120-277V input, produce less than 20% THD, and have a power factor of .90 to 1.00. Male and female 18-gauge 6 wire plug connectors are included with every luminaire to allow for simple hassle-free continuous wiring. Each luminaire must be installed male to female.

OPTIONS

Luminaires can be shipped pre-installed with daylight harvesting controls, occupancy sensors, and/or power packs for individual or room control solutions.

LED Source

Long-life LEDs, provide superior quantity and quality of illumination for extended service life. ORW is rated to deliver L70 performance at 50,000 hours.

Emergency Options/Controls

Typical lumen output of the luminaire is up to 1000L with EMG-LED-10W or option & 2000L with EMG-LED-20W or option in emergency mode. Self Diagnostic emergency option available (EMG-SDTLED-10W).

ELECTRICAL

Powered by constant-current LED drivers rated for 50 to 60Hz at 120-277V input, produce less than 20% THD, and have a power factor of .90 to 1.00.

DIMMING

DIM10 - Flicker Free 1% Dimming Standard (DIM10) 0-10V dimming on either MVOLT 120, 277 or 347V.

LUTH - Lutron LDE1 Hi-Lume 1% EcoSystem LED driver with Soft-on, Fade-to-Black dimming technology.

DIMST - Step Dimming

WARRANTY

Five-year warranty for parts and components. (Labor not included)

LISTINGS

c-UL-us - Listed for Feed Through Wiring.

Listed for DLC, California Title 24 compliant.

c-UL us Listed for Damp location

Product not allowed to be in direct contact with water , sprinkler or rain

Example: **8-ORW-LED-4000L-DIM10-MVOLT-40K-85**

8	ORW	LED							
FIXTURE SIZE	SERIES	TYPE	LUMENS	DIMMING		VOLTAGE	CCT	CRI	EMERGENCY
8 - 8'	ORW - LED General Linear	LED	4000L 6000L 8000L 10000L	DIM10 - 0-10V Dimming LUTH - LUTRON DIMST -Step Dimming		MVOLT 347*	30K 35K 40K 50K	85	0-EMG-LED-10W 0-EMG-LED-20W
OTHER OPTIONS									
FBF - Internal Fast Blow Fuse SBF - Internal Slow-Blow Fuse RIS - Radio Interference Suppressor INMS - Motion Sensor USA - Made in America Compliance GSS - Aircraft cable FSP-311-B-D - 0-10V continuous dimming PIR photo/ motion sensor with bluetooth control option.									

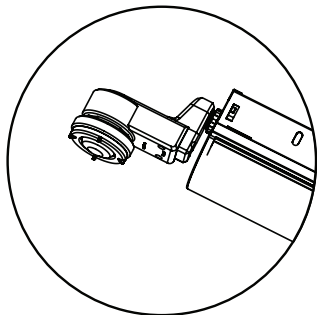
INTEGRATED SENSOR AND CONTROL OPTIONS

With the IntegratedED of controls, Elite Lighting now offers its products with controls-ready performance that increases energy efficiency, smarter space planning, and the enhancement of safety and productivity in the workplace. By utilizing these controls, Elite Lighting luminaires enable your customer's facility to run smarter, with the use of an easily controlled system through any platform.

Luminaire will be shipped with Powerpacks pre-installed, ready to be IntegratedED to designated control systems
 Luminaire will be shipped with Sensors installed on the luminaire, allowing for individual luminaire control. Luminaires will be ready to be IntegratedED with designated control systems
 Luminaire will be shipped with Sensors to be remotely installed on the ceiling. Luminaires will be ready to be IntegratedED with designated control systems

BRAND	LEVITON	legrand
MICROWAVE INTEGRATED SENSOR	<input type="checkbox"/> OSM3D-DDW High Frequency Microwave Occupancy Sensor with 0-10V Dimming	<input type="checkbox"/> FS-205 Low Voltage Pir Fixture IntegratedED Occupancy Sensor
	<input type="checkbox"/> OSM3D-V1W Line Voltage Microwave Sensor	<input type="checkbox"/> FD-301 Low Voltage Daylight Dimming Photosensor
PIR INTEGRATED SENSOR	<input type="checkbox"/> OSFHU-LTW PIR Fixture Mount Occupancy Sensor	<input type="checkbox"/> FSP-311-B-D 0-10V continuous dimming PIR photo/motion sensor with bluetooth control option.
	<input type="checkbox"/> HB011-PDX PIR Fixture Mount Occupancy Sensor with Daylight Harvesting	

SIDE MOUNT



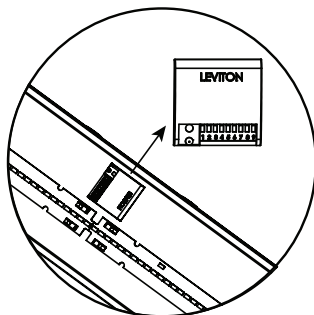
LEGRAND

FSP-311-B-D
 0-10V continuous dimming PIR photo/motion sensor with bluetooth control option.

LEVITON

- HB011-PDX
PIR Fixture Mount Occupancy Sensor with Daylight Harvesting
- OSFHU-LTW
PIR Fixture Mount Occupancy Sensor
- OFD1Z-I0W
IP66 PIR Sensors with Bluetooth™ Connectivity and UV Stable Plasti

IntegratedED



LEGRAND

- FM-105
High Frequency Microwave Occupancy Sensor with 0-10V Dimming
- FS-205
Low Voltage Pir Fixture IntegratedED Occupancy Sensor
- FD-301
Low Voltage Daylight Dimming Photosensor

LEVITON

- OSM3D-DDW
High Frequency Microwave Occupancy Sensor with 0-10V Dimming
- OSM3D-V1W
Line Voltage Microwave Sensor