

NOMINAL LUMENS	DELIVERED LUMENS	WATTAGE
20000	19083	152 W
14000	14322	115 W
10000	10049	82 W
8000	9549	75 W
6000	6212	49 W

Based on 4000K, 90+ CRI. Actual wattage may vary +/- 5%

FEATURES

The Architectural LED Suspended Linear combines a slim profile with clean lines, making it an ideal choice for library stacks or narrow aisles. The flexibility of the luminaire allows for continuous, uniform and glare-free illumination. Available in single pendant or continuous mounting for a seamless connection from luminaire to luminaire, with adjustable mounting heights. This distinct luminaire is a perfect solution for educational, healthcare, office, commercial and retail spaces.

LUMENS	6000, 8000, 10000, 14000, 20000
CCT	30K, 35K, 40K, 50K
CRI	85+(standard), 90+
COLOR QUALITY	3 Step MacAdam Ellipse
LENGTH	2', 4', 8'
MOUNTING	Suspended or Surface
DIMMING & CONTROL	0-10V Flicker Free 1% Dimming Standard (DIM10), LUTH, LUT2W, DIMST, ELDO10.1, ELDODMX.1, DALI.1
EMERGENCY	10W - Up to 1000L output
LIFETIME	L70 at 167,000 Hours
OPERATING TEMPERATURE	-20° C to 50°C ambient temperature
PHOTOMETRIC TESTS	In Accordance with IES LM79-08, LM80 and TM-30, TM-21

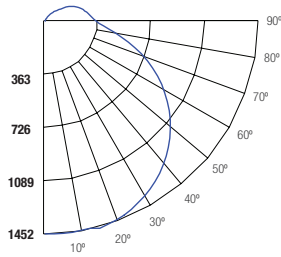


8-OC4-LED-6000L-DIM10-MVOLT-40K-85

TEST NO.: EL111849

INPUT WATTS: **49.5** LUMENS: **6212** CRI: **85** EFFICACY: **126** CCT: **4000K**

Candle Power Distribution (Candelas)



Zonal Lumens Summary

Zone	Lumens	%Lamp	%Fixt
0-30°	1166.71	N.A.	18.80
0-40°	1957.31	N.A.	31.50
0-60°	3685.22	N.A.	59.30
0-90°	5348.53	N.A.	86.10
0-180°	6212.45	N.A.	100.00

Luminance Data (cd/sq.m)

Angle In Degrees	Average 0°	Average 45°	Average 90°
45°	5838	6505	6910
55°	5794	6833	7465
65°	5700	7364	8360
75°	5221	8655	10392
85°	4025	15877	22052

Candela Tabulation

	0	45	90
0	1442.396	1442.396	1442.396
5	1437.037	1441.897	1445.445
15	1391.936	1415.605	1434.834
25	1304.716	1356.491	1392.779
35	1177.108	1260.943	1314.711
45	1013.423	1129.124	1199.497
55	815.913	962.183	1051.153
65	591.413	764.008	867.364
75	331.727	549.925	660.280
85	86.119	339.714	471.825
90	12.976	272.824	405.891

Spacing Criteria

0-180 : **1.30**
 90-270 : **1.42**
 Diagonal : **1.50**

EFFICACY: 126 LM/W

Coefficients of Utilization - Zonal Cavity Method

Effective Floor Cavity Reflectance 20% = PF

RC	80%				70%				50%				30%				10%				0%			
	RW	70%	50%	30%	10%	70%	50%	30%	10%	50%	30%	10%	50%	30%	10%	50%	30%	10%	50%	30%	10%	0%		
0	116	116	116	116	111	111	111	111	103	103	103	96	96	96	89	89	89	89	86	86	86	86	86	
1	103	98	93	88	99	94	89	85	87	83	80	81	78	75	75	73	70	67	67	67	67	67	67	
2	93	84	76	70	89	81	74	68	75	69	64	69	65	61	64	61	57	54	54	54	54	54	54	
3	84	73	64	57	80	70	62	55	65	58	53	60	55	50	56	51	47	44	44	44	44	44	44	
4	77	64	55	47	73	62	53	46	57	50	44	53	47	42	49	44	40	37	37	37	37	37	37	
5	70	57	47	40	67	55	46	39	51	43	38	47	41	36	44	39	34	32	32	32	32	32	32	
6	65	51	41	35	62	49	40	34	46	38	33	43	36	31	40	34	30	27	27	27	27	27	27	
7	60	46	37	30	57	44	36	30	41	34	29	39	32	27	36	31	26	24	24	24	24	24	24	
8	55	42	33	27	53	40	32	26	38	31	25	35	29	24	33	28	23	21	21	21	21	21	21	
9	52	38	30	24	50	37	29	23	35	28	23	33	26	22	31	25	21	19	19	19	19	19	19	
10	48	35	27	22	46	34	26	21	32	25	20	30	24	20	28	23	19	17	17	17	17	17	17	

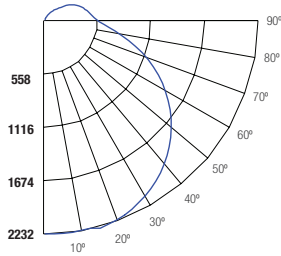
RC - Ceiling Cavity Reflectance RW - Wall Reflectance

8-OC4-LED-8000L-DIM10-MVOLT-40K-85

TEST NO.: EL111849

INPUT WATTS: **75.5** LUMENS: **9549** CRI: **85** EFFICACY: **126** CCT: **4000K**

Candle Power Distribution (Candelas)



Zonal Lumens Summary

Zone	Lumens	%Lamp	%Fixt
0-30°	1793.27	N.A.	18.80
0-40°	3008.46	N.A.	31.50
0-60°	5664.32	N.A.	59.30
0-90°	8220.89	N.A.	86.10
0-180°	9548.76	N.A.	100.00

Luminance Data (cd/sq.m)

Angle In Degrees	Average 0°	Average 45°	Average 90°
45°	8973	9998	10621
55°	8906	10503	11474
65°	8762	11319	12850
75°	8025	13303	15973
85°	6187	24404	33894

Candela Tabulation

	0	45	90
0	2217.016	2217.016	2217.016
5	2208.779	2216.249	2221.703
15	2139.458	2175.837	2205.393
25	2005.396	2084.977	2140.753
35	1809.259	1938.116	2020.760
45	1557.669	1735.505	1843.671
55	1254.089	1478.911	1615.661
65	909.024	1174.309	1333.171
75	509.877	845.255	1014.874
85	132.368	522.153	725.213
90	19.945	419.341	623.870

Spacing Criteria

0-180 : **1.30**
 90-270 : **1.42**
 Diagonal : **1.50**

EFFICACY: 126 LM/W

Coefficients of Utilization - Zonal Cavity Method

Effective Floor Cavity Reflectance 20% = PF

RC	80%				70%				50%				30%				10%				0%			
	RW	70%	50%	30%	10%	70%	50%	30%	10%	50%	30%	10%	50%	30%	10%	50%	30%	10%	50%	30%	10%	0%		
0	116	116	116	116	111	111	111	111	103	103	103	96	96	96	89	89	89	89	86	86	86	86	86	
1	103	98	93	88	99	94	89	85	87	83	80	81	78	75	75	73	70	67	67	67	67	67	67	
2	93	84	76	70	89	81	74	68	75	69	64	69	65	61	64	61	57	54	54	54	54	54	54	
3	84	73	64	57	80	70	62	55	65	58	53	60	55	50	56	51	47	44	44	44	44	44	44	
4	77	64	55	47	73	62	53	46	57	50	44	53	47	42	49	44	40	37	37	37	37	37	37	
5	70	57	47	40	67	55	46	39	51	43	38	47	41	36	44	39	34	32	32	32	32	32	32	
6	65	51	41	35	62	49	40	34	46	38	33	43	36	31	40	34	30	27	27	27	27	27	27	
7	60	46	37	30	57	44	36	30	41	34	29	39	32	27	36	31	26	24	24	24	24	24	24	
8	55	42	33	27	53	40	32	26	38	31	25	35	29	24	33	28	23	21	21	21	21	21	21	
9	52	38	30	24	50	37	29	23	35	28	23	33	26	22	31	25	21	19	19	19	19	19	19	
10	48	35	27	22	46	34	26	21	32	25	20	30	24	20	28	23	19	17	17	17	17	17	17	

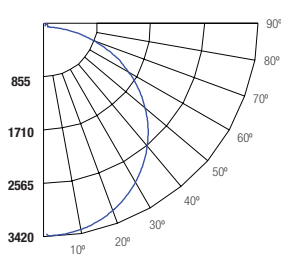
RC - Ceiling Cavity Reflectance RW - Wall Reflectance

8-OC4-LED-14000L-DIM10-MVOLT-40K-85

TEST NO.: EL1118151

INPUT WATTS: **115.7** LUMENS: **14322** CRI: **85** EFFICACY: **124** CCT: **4000K**

Candle Power Distribution (Candelas)



Zonal Lumens Summary

Zone	Lumens	%Lamp	%Fixt
0-30°	2711.22	N.A.	18.90
0-40°	4534.27	N.A.	31.70
0-60°	8490.18	N.A.	59.30
0-90°	12293.64	N.A.	85.80
0-180°	14321.5	N.A.	100.00

Luminance Data (cd/sq.m)

Angle In Degrees	Average 0°	Average 45°	Average 90°
45°	13633	15055	16340
55°	13407	15877	17814
65°	12999	17220	20339
75°	11708	20264	25955
85°	8691	37575	55544

Candela Tabulation

	0	45	90
0	3395.667	3395.667	3395.667
5	3404.984	3384.550	3377.106
15	3292.802	3292.520	3328.547
25	3078.011	3139.083	3240.776
35	2764.696	2914.666	3080.035
45	2366.478	2613.318	2836.381
55	1887.811	2235.675	2508.317
65	1348.688	1786.594	2110.170
75	743.899	1287.546	1649.155
85	185.962	803.968	1188.440
90	28.318	644.178	1007.090

Spacing Criteria

0-180 : **1.30**
 90-270 : **1.40**
 Diagonal : **1.48**

EFFICACY: 124 LM/W

Coefficients of Utilization - Zonal Cavity Method

Effective Floor Cavity Reflectance 20% = PF

RC	80%				70%				50%				30%				10%				0%			
	RW	70%	50%	30%	10%	70%	50%	30%	10%	50%	30%	10%	50%	30%	10%	50%	30%	10%	50%	30%	10%	0%		
0	116	116	116	116	111	111	111	111	103	103	103	96	96	96	89	89	89	89	86	86	86	86	86	
1	103	98	93	88	99	94	89	85	87	83	80	81	78	75	75	72	70	67	67	67	67	67	67	
2	93	84	76																					

8-OC4-LED-20000L-DIM10-MVOLT-40K-85

TEST NO.: EL1118187

INPUT WATTS: **152.7**

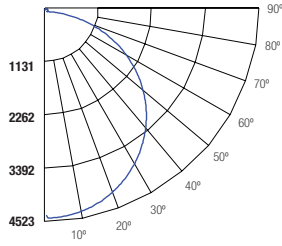
LUMENS: **19083**

CRI: **85**

EFFICACY: **125**

CCT: **4000K**

Candle Power Distribution (Candelas)



Zonal Lumens Summary

Zone	Lumens	%Lamp	%Fixt
0-30°	3575.00	N.A.	18.70
0-40°	5980.63	N.A.	31.30
0-60°	11202.88	N.A.	58.70
0-90°	16204.41	N.A.	84.90
0-180°	19082.71	N.A.	100.00

Luminance Data (cd/sq.m)

Angle In Degrees	Average 0°	Average 45°	Average 90°
45°	17952	19950	21414
55°	17618	21069	23307
65°	16980	22934	26561
75°	15150	27182	33888
85°	10867	51325	72418

Candela Tabulation

	0	45	90
0	4474.453	4474.453	4474.453
5	4501.675	4462.744	4447.590
15	4350.562	4346.426	4383.650
25	4061.464	4148.250	4262.438
35	3645.558	3858.237	4043.811
45	3116.326	3463.152	3717.243
55	2480.843	2966.709	3281.890
65	1761.725	2379.450	2755.702
75	962.579	1727.123	2153.184
85	232.514	1098.170	1549.469
90	27.579	880.141	1316.374

Spacing Criteria

0-180	: 1.30
90-270	: 1.40
Diagonal	: 1.48

Coefficients of Utilization - Zonal Cavity Method

Effective Floor Cavity Reflectance 20% = PF

RC	RW	80%				70%				50%				30%				10%				0%	
		70%	50%	30%	10%	70%	50%	30%	10%	50%	30%	10%	50%	30%	10%	50%	30%	10%	0%	0%			
0	115	115	115	115	111	111	111	111	103	103	103	95	95	95	88	88	88	85					
1	103	97	92	88	99	94	89	85	87	83	80	80	77	74	74	72	70	66					
2	93	84	76	70	89	80	74	68	74	69	64	69	64	60	64	60	57	53					
3	84	73	64	57	80	70	62	55	65	58	52	60	54	50	55	51	47	44					
4	77	64	55	47	73	62	53	46	57	50	44	53	47	42	49	44	40	37					
5	70	57	47	40	67	55	46	39	51	43	38	47	41	36	44	38	34	31					
6	65	51	41	35	62	49	40	34	46	38	33	42	36	31	40	34	30	27					
7	60	46	37	30	57	44	36	30	41	34	29	39	32	27	36	30	26	24					
8	55	42	33	27	53	40	32	26	38	30	25	35	29	24	33	27	23	21					
9	52	38	30	24	49	37	29	24	35	28	23	32	26	22	30	25	21	19					
10	48	35	27	22	46	34	26	21	32	25	20	30	24	20	28	23	19	17					

RC - Ceiling Cavity Reflectance

RW - Wall Reflectance

EFFICACY: 125 LM/W

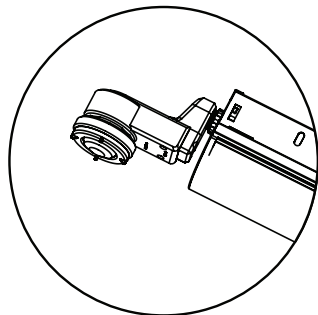
INTEGRATED SENSOR AND CONTROL OPTIONS

With the Integration of controls, Elite Lighting now offers its products with controls-ready performance that increases energy efficiency, smarter space planning, and the enhancement of safety and productivity in the workplace. By utilizing these controls, Elite Lighting luminaires enable your customer's facility to run smarter, with the use of an easily controlled system through any platform.

Luminaire will be shipped with Powerpacks pre-installed, ready to be Integrated to designated control systems
 Luminaire will be shipped with Sensors installed on the luminaire, allowing for individual luminaire control. Luminaires will be ready to be Integrated with designated control systems
 Luminaire will be shipped with Sensors to be remotely installed on the ceiling. Luminaires will be ready to be Integrated with designated control systems

BRAND	LEVITON	legrand
MICROWAVE INTEGRATED SENSOR	<input type="checkbox"/> OSM3D-DDW High Frequency Microwave Occupancy Sensor with 0-10V Dimming	<input type="checkbox"/> FM-105 High Frequency Microwave Occupancy Sensor with 0-10V Dimming
	<input type="checkbox"/> OSM3D-V1W Line Voltage Microwave Sensor	
PIR INTEGRATED SENSOR	<input type="checkbox"/> OSFHU-LTW PIR Fixture Mount Occupancy Sensor	<input type="checkbox"/> FSP-211 Fixture Mount PIR Occupancy Sensor with Daylight Harvesting with 0-10V
	<input type="checkbox"/> HB011-PDX PIR Fixture Mount Occupancy Sensor with Daylight Harvesting	<input type="checkbox"/> FS-205 Low Voltage Pir Fixture Integrated Occupancy Sensor
		<input type="checkbox"/> FD-301 Low Voltage Daylight Dimming Photosensor

SIDE MOUNT



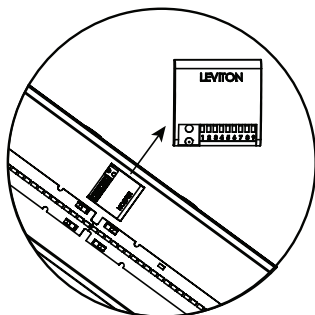
LEGRAND

- FSP-211
Fixture Mount PIR Occupancy Sensor with Daylight Harvesting with 0-10V

LEVITON

- HB011-PDX
PIR Fixture Mount Occupancy Sensor with Daylight Harvesting
- OSFHU-LTW
PIR Fixture Mount Occupancy Sensor

IntegratedED



LEGRAND

- FM-105
High Frequency Microwave Occupancy Sensor with 0-10V Dimming
- FS-205
Low Voltage Pir Fixture Integrated Occupancy Sensor
- FD-301
Low Voltage Daylight Dimming Photosensor

LEVITON

- OSM3D-DDW
High Frequency Microwave Occupancy Sensor with 0-10V Dimming
- OSM3D-V1W
Line Voltage Microwave Sensor