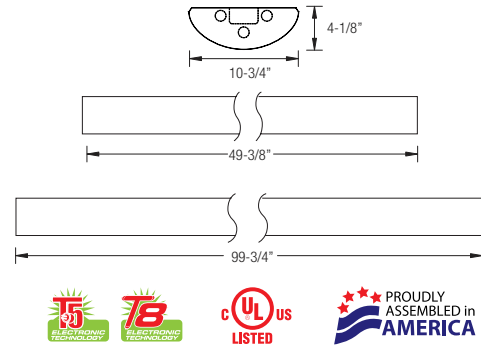
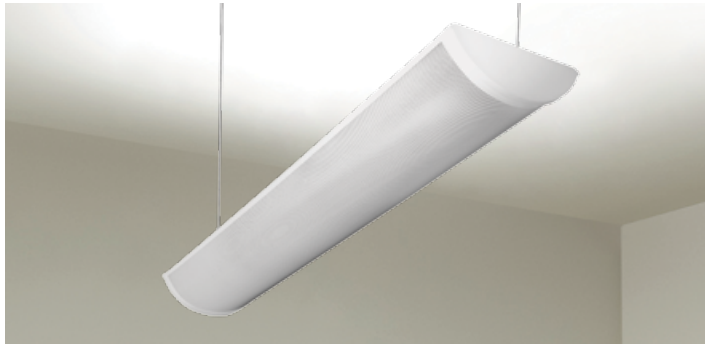


T8/T5 FLUORESCENT DIRECT/INDIRECT LUMINAIRE (SUSPENDED MOUNT)



APPLICATION:

The OB1DI Series Pendant Mount Direct/Indirect Luminaire is the perfect luminaire lighting solution for interior office, commercial, retail, medical centers, school classrooms and numerous other installations. Meets today's high demand for environments where low brightness/high glare control are required (e.g., computer work).

PRODUCT FEATURES:

- Designed to be suspended
- Hinged basket design for easy lamp access
- Designed for 4', 8' (Tandem) or continuous row configurations
- Heavy-duty 20-gauge steel utilized throughout for durability and code compliance
- Painted high-gloss baked white enamel
- Pretreated with five-stage iron phosphate process to ensure superior paint adhesion
- Shallow design is ideal for commercial and industrial spaces requiring general illumination
- Suitable for dry and damp environments
- Thermally protected, self-resetting, Class P, NPF, non-PCB and UL listed ballast
- Lightweight design enables for quick, easy installation
- Suspension system is required

- NEC required ballast disconnect is standard
- CEE qualified ballast comes standard on most fixture options (Consult factory for details)

LISTING

UL/C-UL listed to US and Canadian standard

WARRANTY

Guaranteed for one year against mechanical defects

T8/T5
OB1DI

Ordering Information > Example: 8-OB1DI-4-32-T8-ADV-10-MVOLT-EMG-T8-BX-700

8	OB1DI						
FIXTURE SIZE	SERIES	WATTAGE	VOLTAGE⁴	# OF BALLAST	BALLAST FACTOR		
8 - 8'	OB1DI-Oracle Pendant Mount Direct/ Indirect	8' TANDEM FIXTURE 4-32-T8 (4-lamps/32W/T8) 4-28-T5 (4-lamps/28W/T5) 4-54-T5HO (4-lamps/54W/T5HO) 6-32-T8 (6-lamps/32W/T8) 6-28-T5 (6-lamps/28W/T5) 6-54-T5HO (6-lamps/54W/T5HO)	(Blank) - MVOLT (120/277) 120 277 347	(Blank) - 1 Ballast 2 - 2 Ballasts	(Blank) - Normal BF HBF - High BF LBF - Low BF		

BALLAST CONFIGURATION & CODE			
32W/T8	28W/T5	54W/T5HO	DESCRIPTION
(Blank) ²	-	-	Electronic Instant Start
EPS ²	(Blank) ^{1,3}	(Blank) ²	Electronic Program Start
ADV-7 ²	-	ADV-7 ^{1,3}	Advance Mark-7 ⁴
ADV-10 ²	-	ADV-10 ^{1,3}	Advance Mark-10 ⁴
-	ADV-OPT ²	-	Advance Optanium ⁴
ADV-ESS ²	-	-	Advance Essential ⁴
ADV-ROVR ²	-	ADV-ROVR ²	Advance Rover ⁴
LUT-EHD ²	LUT-EHD ^{1,3}	LUT-EHD ^{1,3}	Lutron Ecosystem H-Series ⁴
LUT-2W ^{1,3}	-	-	Lutron Tu-Wire ⁴
LUT-EC5 ²	LUT-EC5 ^{1,3}	-	Lutron Ecosystem ⁴
LUT-EC3 ²	LUT-EC3 ^{1,3}	LUT-EC3 ^{1,3}	Lutron Eco-10 ⁴
LUT-TVE ^{1,3}	-	-	Lutron Tve ⁴
LUT-H3D ²	LUT-H3D ^{1,3}	LUT-H3D ^{1,3}	Lutron Hi-Lume 3D ⁴
-	-	LUT-EC0 ^{1,3}	Lutron Ecosystem (347V Only) ⁴

1- Requires 2 Ballasts for 3 lamps.
2- Requires 2 Ballasts for 6-lamps.
3- Requires 3 Ballasts for 6-lamps.
4- Voltage must be specified for dimming ballast.

EMERGENCY BATTERY PACK OPTIONS (L. = LUMENS)	
ORDER CODE	DESCRIPTION
EMG-T8-BX-450	Up to 450 L. for T8 or BX
EMG-T8-BX-600	Up to 600 L. for T8 or BX
EMG-T8-BX-700	Up to 700 L. for T8 or BX
EMG-T8-BX-1400	Up to 1400 L. for T8 or BX
EMG-T5-T5HO-700	Up to 700 L. for T5 or T5HO
EMG-T5-T5HO-1300	Up to 1300 L. for T5 or T5HO
EMG-SD-T8-BX-T5-T5HO-1400	Self-Diagnostic 1400 L. for T8, BX, T5 or T5HO
EMG-ICE-T8-BX-T5-T5HO-1400	ICE Pack 1400 L. for T8, BX, T5 or T5HO
GTD	Generator Transfer Device

WIRING OPTIONS	
C3	- 6' 3-wire Flex Cable (Single Circuit)
C4	- 6' 4-wire Flex Cable (Double Circuit)
FBF	- Internal Fast Blow Fuse
SBF	- Internal Slow-Blow Fuse
RIS	- Radio Interference Suppressor

OTHER OPTIONS	
OCMS	- Motion Sensor
OCGSS	- Cable Gripper Suspension Kit
USA	- Made in America Compliance

4', 8' Fluorescent Direct/Indirect Luminaire