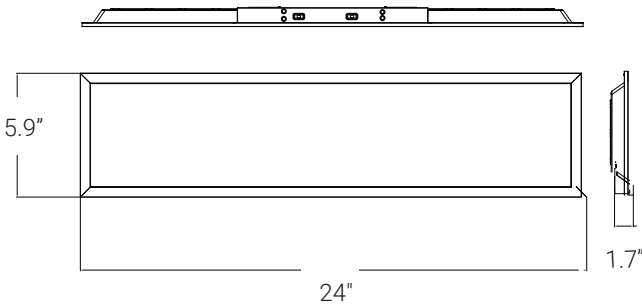


**EASY 4 COLORS
SELECCTOR**
3000K | 3500K | 4000K | 5000K



| NOMINAL LUMENS | DELIVERED LUMENS | WATTAGE |
|----------------|------------------|---------|
| 1000 | 1020 | 9 W |
| 1500 | 1503 | 13 W |
| 2000 | 2120 | 18 W |

Based on 4000K, 85+ CRI. Actual wattage may vary +/- 5%

FEATURES

The Linear Recessed Panel, designed for 6-inch narrow apertures, integrates seamlessly with TechZone systems. It features an optimized light guide plate, ensuring uniform, low-glare illumination. This panel is equipped with a 3 Watt, 4 CCT selectable light source, providing flexible design and application options. Its installation process is straightforward, supporting continuous row mounting and enhancing ceiling aesthetics.

Crafted with a seamless aluminum matt white frame and reinforced with a robust steel back plate, the panel maintains a sleek 6-inch profile, free from any crinkles or bows. Additionally, it offers various lumen packages with impressive efficacies of up to 135 lumens per watt, making it an ideal solution for grid ceiling environments.

| | |
|-------------------|---|
| LUMENS | 1000, 1500, 2000 |
| CCT | 30K/35K/40K/50K |
| CRI | 85+ |
| COLOR QUALITY | 3 Step MacAdam Ellipse |
| SIZE | 2' |
| MOUNTING | Recessed |
| DIMMING & CONTROL | 0-10V Flicker Free 10% Dimming Standard (DIM10) |
| EMERGENCY | 10W - Up to 1000L output (Bodine BSL310) 20W - Up to 2000L output (Bodine BSL20) |
| LIFETIME | L70 at 60,000 Hours |
| PHOTOMETRIC TESTS | In Accordance with IES LM79-08, LM80 and TM-30, TM-21 |



