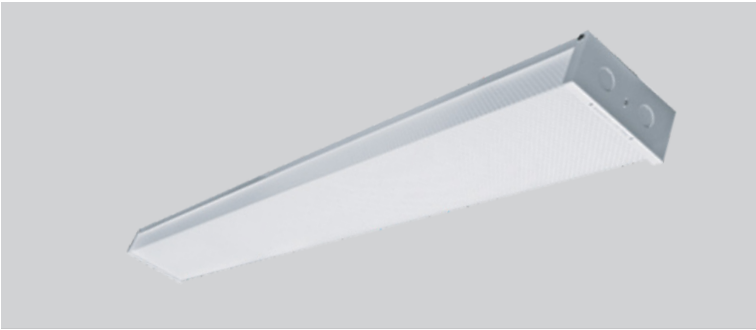


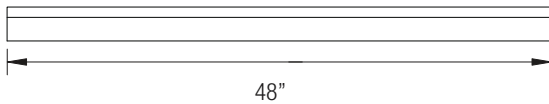
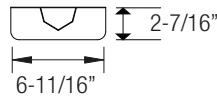
# OEW-LED 4'

## Architectural LED Linear-Direct



### FEATURES

The slim profile of the Architectural LED Linear makes it ideal for library stacks or narrow layouts. Flexible design delivers continuous, uniform and glare-free illumination. Available in single pendant or continuous mounting for seamless connection from luminaire to luminaire, with adjustable mounting heights. For use as general or task lighting in hallways, corridors, parking lots, educational, healthcare, office, and industrial applications.



NOMINAL LUMENS	DELIVERED LUMENS	WATTAGE
5000	5157	52 W
4000	3926	42 W

Based on 4000K, 85+ CRI. Actual wattage may vary +/- 5%

4000, 5000

35K, 40K, 50K

85+

3 Step MacAdam Ellipse

LENGTH	4"
MOUNTING	Suspended or Surface
DIMMING & CONTROL	0-10V Flicker Free 10% Dimming Standard (DIM10)
EMERGENCY	10W - Up to 1000L output
LIFETIME	L70 at 50,000 Hours
PHOTOMETRIC TESTS	In Accordance with IES LM79-08, LM80 and TM-30, TM-21



**OPTICS & PERFORMANCE**

Frosted acrylic lens provides even, shadow-free illumination. Lens has tool-less removal, ensuring easy upgrading and maintenance.

**CONSTRUCTION**

Heavy-duty 20-gauge cold rolled steel body. High-gloss white finish is pre-treated with 5-stage iron phosphate coating, which provides superior paint adhesion and protection against weathering.

**INSTALLATION**

Surface or suspended mounting; individual or continuous row mounting (CRM). The first luminaire in the row for CRM will always be the power supply feed. After plugging in the male and female harnesses, which are supplied with each luminaire, they will easily slide together. Secure with two screws in the connecting brackets.

**DRIVER ELECTRICAL INFORMATION**

Powered by high-quality constant-current power LED drivers, rated for 50 to 60Hz at 120-277V input, produce less than 20% THD, and have a power factor of .90 to 1.00. Male and female 18-gauge 6 wire plug connectors are included with every luminaire to allow for simple, hassle-free continuous wiring. Each luminaire must be installed male to female.

**OPTIONS**

Pre-installed with daylight harvesting controls, occupancy sensors, and/or power packs for individual or room control solutions.

**DIMMING & DRIVER INFORMATION**

**DIM10** - Flicker Free 10% Dimming Standard (DIM10) 0-10V dimming on either MVOLT 120, 277V.

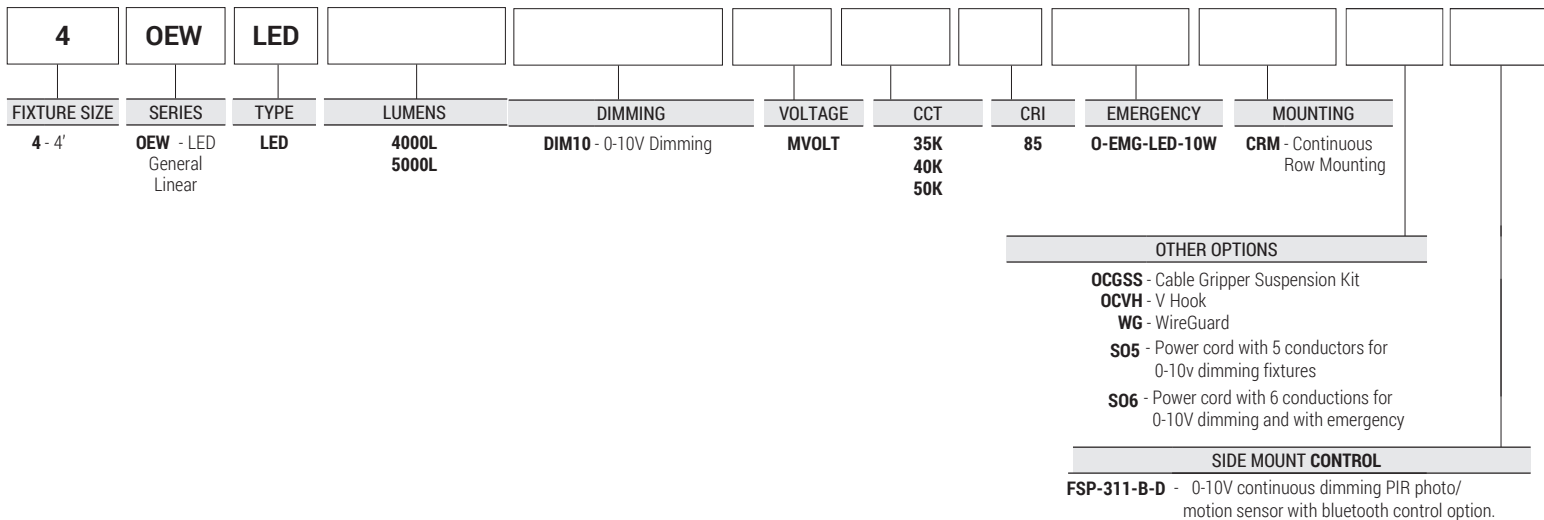
**WARRANTY**

Five-year warranty for parts and components. (Labor not included)

**LISTINGS**

c-UL-us - Listed for Feed Through Wiring.  
Listed for DLC, California Title 24 compliant.

Example: **4-OEW-LED-4000L-DIM10-MVOLT-40K-85**



**INTEGRATED SENSOR AND CONTROL OPTIONS**

With the integration of controls, Elite Lighting now offers its products with controls-ready performance that increases energy efficiency, smarter space planning, and the enhancement of safety and productivity in the workplace. By utilizing these controls, Elite Lighting luminaires enable your customer's facility to run smarter, with the use of an easily controlled system through any platform.

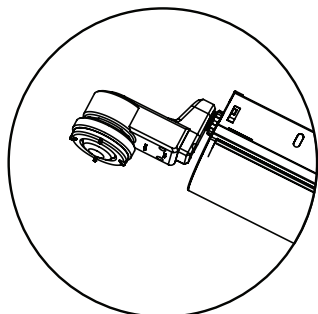
Luminaire will be shipped with Powerpacks pre-installed, ready to be integrated to designated control systems

Luminaire will be shipped with Sensors installed on the luminaire, allowing for individual luminaire control. Luminaires will be ready to be integrated with designated control systems

Luminaire will be shipped with Sensors to be remotely installed on the ceiling. Luminaires will be ready to be integrated with designated control systems

<b>BRAND</b>	
<b>PIR INTEGRATED SENSOR</b>	<input type="checkbox"/> FSP-311-B-D 0-10V continuous dimming PIR photo/motion sensor with bluetooth control option.

**SIDE MOUNT**



**LEGRAND**

FSP-311-B-D  
 0-10V continuous dimming PIR photo/motion sensor with bluetooth control option.