

NOMINAL LUMENS	DELIVERED LUMENS	WATTAGE
10000	10842	82 W
9000	9479	72 W
8000	8137	61 W
6000	6584	50 W
5000	5253	40 W
4000	4015	30 W
3000	3437	24 W

Based on 4000K, 90+ CRI. Actual wattage may vary +/- 5%

FEATURES

The Architectural LED Suspended Linear combines a slim profile with clean lines, making it an ideal choice for library stacks or narrow aisles. The flexibility of the luminaire allows for continuous, uniform and glare-free illumination. Available in single pendant or continuous mounting for a seamless connection from luminaire to luminaire, with adjustable mounting heights. This distinct luminaire is a perfect solution for educational, healthcare, office, commercial and retail spaces.

LUMENS	3000, 4000, 5000, 6000, 8000, 9000, 10000
CCT	30K, 35K, 40K, 50K
CRI	85+(standard),90+
COLOR QUALITY	3 Step MacAdam Ellipse
LENGTH	2', 4', 8'
MOUNTING	Suspended or Surface
DIMMING & CONTROL	0-10V Flicker Free 1% Dimming Standard (DIM10), LUTH, LUT2W, DIMST, ELDO10.1, ELDODMX.1, DALI.1
EMERGENCY	10W - Up to 1000L output
LIFETIME	L70 at 167,000 Hours
OPERATING TEMPERATURE	-20° C to 50°C ambient temperature
PHOTOMETRIC TESTS	In Accordance with IES LM79-08, LM80 and TM-30, TM-21



4-OC4-LED-6000L-DIM10-MVOLT-40K-85

TEST NO.: EL111845

INPUT WATTS: 50.1

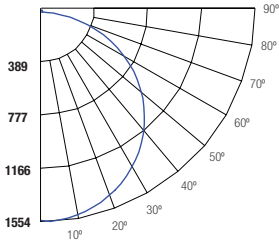
LUMENS: 6584

CRI: 85

EFFICACY: 131

CCT: 4000K

Candle Power Distribution (Candelas)



Zonal Lumens Summary

Zone	Lumens	%Lamp	%Fixt
0-30°	1240.65	N.A.	18.80
0-40°	2079.99	N.A.	31.60
0-60°	3914.47	N.A.	59.50
0-90°	5680.81	N.A.	86.30
0-180°	6583.68	N.A.	100.00

Luminance Data (cd/sq.m)

Angle In Degrees	Average 0°	Average 45°	Average 90°
45°	12564	13954	14826
55°	12450	14650	15995
65°	12094	15772	17911
75°	11212	18229	22204
85°	8601	33575	46278

Candela Tabulation

	0	45	90
0	1546.172	1546.172	1546.172
5	1548.974	1550.115	1551.392
15	1498.812	1520.820	1538.975
25	1404.383	1456.576	1493.336
35	1267.310	1352.672	1409.451
45	1090.471	1211.149	1286.794
55	876.528	1031.421	1126.111
65	627.383	818.157	929.139
75	356.189	579.106	705.406
85	92.010	459.084	495.084
90	13.768	287.087	421.993

Spacing Criteria

0-180	: 1.30
90-270	: 1.42
Diagonal	: 1.50

EFFICACY: 131 LM/W

Coefficients of Utilization - Zonal Cavity Method

Effective Floor Cavity Reflectance 20% = PF

RC RW	80%				70%				50%				30%				10%				0%			
	70%	50%	30%	10%	70%	50%	30%	10%	50%	30%	10%	50%	30%	10%	50%	30%	10%	50%	30%	10%	0%			
0	116	116	116	116	111	111	111	111	103	103	103	96	96	96	89	89	89	86	86	86	86	86		
1	103	98	93	88	99	94	89	85	87	83	80	81	78	75	75	73	71	67	67	67	67	67		
2	93	84	76	70	89	81	74	68	75	69	64	69	65	61	64	61	57	54	54	54	54	54		
3	84	73	64	57	80	70	62	55	65	58	53	60	55	50	56	51	47	45	45	45	45	45		
4	77	64	55	47	73	62	53	46	57	50	44	53	47	42	50	44	40	37	37	37	37	37		
5	70	57	47	40	67	55	46	39	51	43	38	48	41	36	44	39	34	32	32	32	32	32		
6	65	51	41	35	62	49	40	34	46	38	33	43	36	31	40	34	30	28	28	28	28	28		
7	60	46	37	30	57	44	36	30	41	34	29	39	32	27	36	31	26	24	24	24	24	24		
8	55	42	33	27	53	40	32	26	38	31	25	35	29	24	33	28	23	21	21	21	21	21		
9	52	38	30	24	50	37	29	24	35	28	23	33	26	22	31	25	21	19	19	19	19	19		
10	48	35	27	22	46	34	26	21	32	25	20	30	24	20	28	23	19	17	17	17	17	17		

RC - Ceiling Cavity Reflectance RW - Wall Reflectance

4-OC4-LED-8000L-DIM10-MVOLT-40K-85

TEST NO.: EL1118151

INPUT WATTS: 61.7

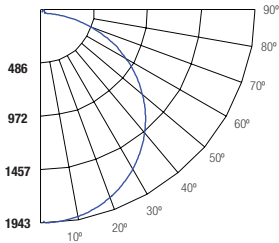
LUMENS: 8137

CRI: 85

EFFICACY: 132

CCT: 4000K

Candle Power Distribution (Candelas)



Zonal Lumens Summary

Zone	Lumens	%Lamp	%Fixt
0-30°	1540.47	N.A.	18.90
0-40°	2576.29	N.A.	31.70
0-60°	4823.97	N.A.	59.30
0-90°	6985.03	N.A.	85.80
0-180°	8137.22	N.A.	100.00

Luminance Data (cd/sq.m)

Angle In Degrees	Average 0°	Average 45°	Average 90°
45°	15492	17107	18568
55°	15235	18042	20243
65°	14772	19568	23112
75°	13304	23027	29495
85°	9877	42699	63119

Candela Tabulation

	0	45	90
0	1929.356	1929.356	1929.356
5	1934.650	1923.040	1918.810
15	1870.910	1870.750	1891.220
25	1748.870	1783.570	1841.350
35	1570.850	1656.060	1750.020
45	1344.590	1484.840	1611.580
55	1072.620	1270.270	1425.180
65	766.300	1015.110	1198.960
75	422.670	731.560	937.020
85	105.660	456.800	675.250
90	16.090	366.010	572.210

Spacing Criteria

0-180	: 1.30
90-270	: 1.40
Diagonal	: 1.48

EFFICACY: 132 LM/W

Coefficients of Utilization - Zonal Cavity Method

Effective Floor Cavity Reflectance 20% = PF

RC RW	80%				70%				50%				30%				10%				0%			
	70%	50%	30%	10%	70%	50%	30%	10%	50%	30%	10%	50%	30%	10%	50%	30%	10%	50%	30%	10%	0%			
0	116	116	116	116	111	111	111	111	103	103	103	96	96	96	89	89	89	86	86	86	86	86		
1	103	98	93	88	99	94	89	85	87	83	80	81	78	75	75	72	70	67	67	67	67	67		
2	93	84	76	70	89	81	74	68	75	69	64	69	65	61	64	61	57	54	54	54	54	54		
3	84	73	64	57	80	70	62	55	65	58	53	60	55	50	56	51	47	44	44	44	44	44		
4	77	64	55	47	73	62	53	46	57	50	44	53	47	42	49	44	40	37	37	37	37	37		
5	70	57	47	40	67	55	46	39	51	44	38	48	41	36	44	39	34	32	32	32	32	32		
6	65	51	42	35	62	49	40	34	46	38	33	43	36	31	40	34	30	28	28	28	28	28		
7	60	46	37	30	57	44	36	30	42	34	29	39	32	28	36	31	26	24	24	24	24	24		
8	55	42	33	27	53	40	32	26	38	31	25	35	29	24	33	28	23	21	21	21	21	21		
9	52	38	30	24	50	37	29	24	35	28	23	33	26	22	31	25	21	19	19	19	19	19		
10	48	35	27	22	46	34	26	21	32	25	21	30	24	20	28	23	19	17	17	17	17	17		

RC - Ceiling Cavity Reflectance RW - Wall Reflectance

4-OC4-LED-9000L-DIM10-MVOLT-40K-85

TEST NO.: EL1118143

INPUT WATTS: 72.3

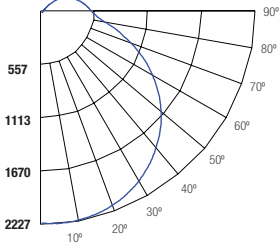
LUMENS: 9479

CRI: 85

EFFICACY: 131

CCT: 4000K

Candle Power Distribution (Candelas)



Zonal Lumens Summary

Zone	Lumens	%Lamp	%Fixt
0-30°	1774.01	N.A.	18.70
0-40°	2967.73	N.A.	31.30
0-60°	5559.69	N.A.	58.70
0-90°	8045.88	N.A.	84.90
0-180°	9479.22	N.A.	100.00

Luminance Data (cd/sq.m)

Angle In Degrees	Average 0°	Average 45°	Average 90°
45°	17728	19522	21148
55°	17419	20542	23000
65°	16849	22195	26171
75°	15159	26038	33301
85°	11280	48232	71026

Candela Tabulation

	0	45	90
0	2218.543	2218.543	2218.543
5	2214.450	2204.620	2203.930
15	2142.900	2143.850	2169.380
25	2000.670	2041.920	2109.120
35	1797.800	1893.260	1999.510
45	1538.740	1694.430	1835.530
55	1226.350	1446.260	1619.320
65	874.020	1151.360	1357.620
75	481.580	827.210	1057.940
85	120.670	515.990	759.840
90	18.390	410.160	647.360

Spacing Criteria

0-180	: 1.28
90-270	: 1.40
Diagonal	: 1.48

EFFICACY: 131 LM/W

Coefficients of Utilization - Zonal Cavity Method

Effective Floor Cavity Reflectance 20% = PF

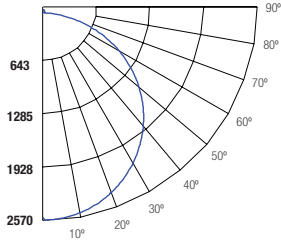
RC RW	80%				70%				50%				30%				10%				0%			
	70%	50%	30%	10%	70%	50%	30%	10%	50%	30%	10%	50%	30%	10%	50%	30%	10%	50%	30%	10%	0%			
0	115	115	115	115	111	111	111	111	103	103	103	95	95	95	88	88	88	85	85	85	85	85		
1	103	97	92	88	99	94	89	85	87	83	80	80	77	74	74	72	70	66	66	66	66	66		
2	93	84	76	70	89	80	74	68	74	69	64	69	64	60	64	60	57	53	53	53	53	53		
3	84	73	64	57	80	70	62	55	65	58	52	60	54	50	55	51	47	44	44	44	44	44		
4	77	64	55	47	73	61	53	46	57	50	44	53	47	42	49									

4-OC4-LED-10000L-DIM10-MVOLT-40K-85

TEST NO.: **EL1118187**

INPUT WATTS: **82.7** LUMENS: **10842** CRI: **85** EFFICACY: **131** CCT: **4000K**

Candle Power Distribution (Candelas)



Zonal Lumens Summary

Zone	Lumens	%Lamp	%Fixt
0-30°	2031.25	N.A.	18.70
0-40°	3398.09	N.A.	31.30
0-60°	6365.27	N.A.	58.70
0-90°	9207.05	N.A.	84.90
0-180°	10842.45	N.A.	100.00

Luminance Data (cd/sq.m)

Angle In Degrees	Average 0°	Average 45°	Average 90°
45°	20400	22671	24334
55°	20021	23942	26486
65°	19296	26062	30183
75°	17215	30889	38509
85°	12349	58324	82293

Candela Tabulation

	0	45	90
0	2542.303	2542.303	2542.303
5	2557.770	2535.650	2527.040
15	2471.910	2469.560	2490.710
25	2307.650	2356.960	2421.840
35	2071.340	2192.180	2297.620
45	1770.640	1967.700	2112.070
55	1409.570	1685.630	1864.710
65	1000.980	1351.960	1565.740
75	546.920	981.320	1223.400
85	132.110	623.960	880.380
90	15.670	500.080	747.940

Spacing Criteria

0-180 : **1.30**
 90-270 : **1.40**
 Diagonal : **1.48**

EFFICACY: 131 LM/W

Coefficients of Utilization - Zonal Cavity Method

Effective Floor Cavity Reflectance 20% = PF

RC RW	80%				70%				50%				30%				10%				0%			
	70%	50%	30%	10%	70%	50%	30%	10%	50%	30%	10%	50%	30%	10%	50%	30%	10%	50%	30%	10%	0%			
0	115	115	115	115	111	111	111	111	103	103	103	95	95	95	88	88	88	85	88	88	88	85	85	
1	103	97	92	88	99	94	89	85	87	83	80	80	77	74	74	72	70	66	74	72	70	66	66	
2	93	84	76	70	89	80	74	68	74	69	64	69	64	60	64	60	57	53	64	60	57	53	53	
3	84	73	64	57	80	70	62	55	65	58	52	60	54	50	55	51	47	44	55	51	47	44	44	
4	77	64	55	47	73	62	53	46	57	50	44	53	47	42	49	44	40	37	49	44	40	37	37	
5	70	57	47	40	67	55	46	39	51	43	38	47	41	36	44	38	34	31	44	38	34	31	31	
6	65	51	41	35	62	49	40	34	46	38	33	43	36	31	40	34	30	27	40	34	30	27	27	
7	60	46	37	30	57	44	36	30	41	34	29	39	32	27	36	30	26	24	36	30	26	24	24	
8	55	42	33	27	53	40	32	26	38	30	25	35	29	24	33	27	23	21	33	27	23	21	21	
9	52	38	30	24	49	37	29	24	35	28	23	32	26	22	30	25	21	19	30	25	21	19	19	
10	48	35	27	22	46	34	26	21	32	25	20	30	24	20	28	23	19	17	28	23	19	17	17	

RC - Ceiling Cavity Reflectance

RW - Wall Reflectance

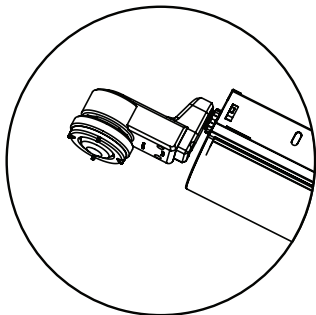
INTEGRATED SENSOR AND CONTROL OPTIONS

With the Integration of controls, Elite Lighting now offers its products with controls-ready performance that increases energy efficiency, smarter space planning, and the enhancement of safety and productivity in the workplace. By utilizing these controls, Elite Lighting luminaires enable your customer's facility to run smarter, with the use of an easily controlled system through any platform.

Luminaire will be shipped with Powerpacks pre-installed, ready to be Integrated to designated control systems
 Luminaire will be shipped with Sensors installed on the luminaire, allowing for individual luminaire control. Luminaires will be ready to be Integrated with designated control systems
 Luminaire will be shipped with Sensors to be remotely installed on the ceiling. Luminaires will be ready to be Integrated with designated control systems

BRAND	LEVITON®	legrand®
MICROWAVE INTEGRATED SENSOR	<input type="checkbox"/> OSM3D-DDW High Frequency Microwave Occupancy Sensor with 0-10V Dimming	<input type="checkbox"/> FM-105 High Frequency Microwave Occupancy Sensor with 0-10V Dimming
	<input type="checkbox"/> OSM3D-V1W Line Voltage Microwave Sensor	<input type="checkbox"/> FSP-211 Fixture Mount PIR Occupancy Sensor with Daylight Harvesting with 0-10V
PIR INTEGRATED SENSOR	<input type="checkbox"/> OSFHU-LTW PIR Fixture Mount Occupancy Sensor	<input type="checkbox"/> FSP-311-B-D 0-10V continuous dimming PIR photo/motion sensor with bluetooth control option.
	<input type="checkbox"/> HB011-PDX PIR Fixture Mount Occupancy Sensor with Daylight Harvesting	<input type="checkbox"/> FS-205 Low Voltage Pir Fixture Integrated Occupancy Sensor
		<input type="checkbox"/> FD-301 Low Voltage Daylight Dimming Photosensor

SIDE MOUNT



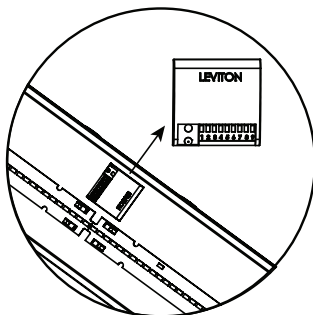
LEGRAND

- FSP-211
Fixture Mount PIR Occupancy Sensor with Daylight Harvesting with 0-10V
- FSP-311
0-10V continuous dimming PIR photo/motion sensor with bluetooth control option.

LEVITON

- HB011-PDX
PIR Fixture Mount Occupancy Sensor with Daylight Harvesting
- OSFHU-LTW
PIR Fixture Mount Occupancy Sensor

IntegratedED



LEGRAND

- FM-105
High Frequency Microwave Occupancy Sensor with 0-10V Dimming
- FS-205
Low Voltage Pir Fixture Integrated Occupancy Sensor
- FD-301
Low Voltage Daylight Dimming Photosensor

LEVITON

- OSM3D-DDW
High Frequency Microwave Occupancy Sensor with 0-10V Dimming
- OSM3D-V1W
Line Voltage Microwave Sensor