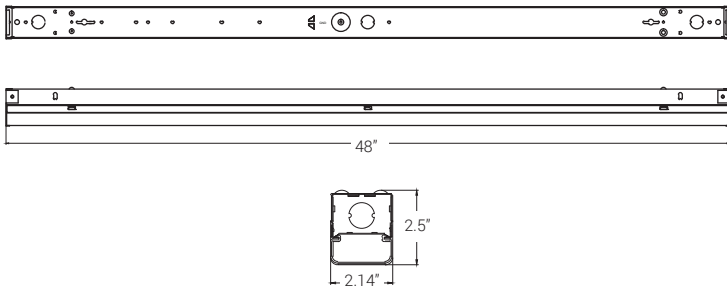


**EASY 3 COLORS**  
**SELECCTOR**  
3500K • 4000K • 5000K



NOMINAL LUMENS	DELIVERED LUMENS	WATTAGE
5000	5916	45 W
4000	4780	36 W
3000	3600	28 W

Based on 4000K, 90+ CRI. Actual wattage may vary +/- 5%

**FEATURES**

The Architectural LED Suspended Linear combines a slim profile with clean lines, making it an ideal choice for library stacks or narrow aisles. The flexibility of the luminaire allows for continuous, uniform and glare-free illumination. Available in single pendant or continuous mounting for a seamless connection from luminaire to luminaire, with adjustable mounting heights. This distinct luminaire is a perfect solution for educational, healthcare, office, commercial and retail spaces.

LUMENS	3000/4000/5000
CCT	35K/40K/50K
CRI	85+
COLOR QUALITY	3 Step MacAdam Ellipse
LENGTH	4', 8'
MOUNTING	Suspended or Surface
FINISH	WH ( White standard), BK ( Black), SI ( Silver), Custom Colors
DIMMING & CONTROL	0-10V Flicker Free 1% Dimming Standard (DIM10)
EMERGENCY	10W - Up to 1000L output
LIFETIME	L70 at 167,000 Hours
OPERATING TEMPERATURE	-20° C to 50°C ambient temperature
PHOTOMETRIC TESTS	In Accordance with IES LM79-08, LM80 and TM-30, TM-21



**OPTICS & PERFORMANCE**

The optical system delivers high efficiency LED light that passes through a high quality, frosted acrylic lens for optimal performance, creating a glare-free and even distribution.

**CONSTRUCTION**

Body is constructed of heavy-duty 20-gauge cold rolled steel, painted with a high-gloss baked white enamel finish, with a frosted extruded lens that delivers highly efficient illumination.

**CRM INSTALLATION**

For continuous row mounting, the first luminaire in the row will always be the power supply feed. After plugging in the male and female harnesses, which are supplied with each luminaire, they will easily slide together, then secured with two screws from opposite directions in the connecting brackets.

**DRIVER ELECTRICAL INFORMATION**

Powered by high-quality constant-current power LED drivers which are rated for 50 to 60Hz at 120-277V input, produce less than 20% THD, and have a power factor of .90 to 1.00. Male and female 18-gauge 6 wire plug connectors are included with every luminaire to allow for simple hassle-free continuous wiring. Each luminaire must be installed male to female.

**OPTIONS**

Luminaires can be shipped pre-installed with daylight harvesting controls, occupancy sensors, and/or power packs for individual or room control solutions.

**DIMMING & DRIVER INFORMATION**

**DIM10** - Flicker Free 1% Dimming Standard (DIM10) 0-10V dimming on either MVOLT 120, 277V.

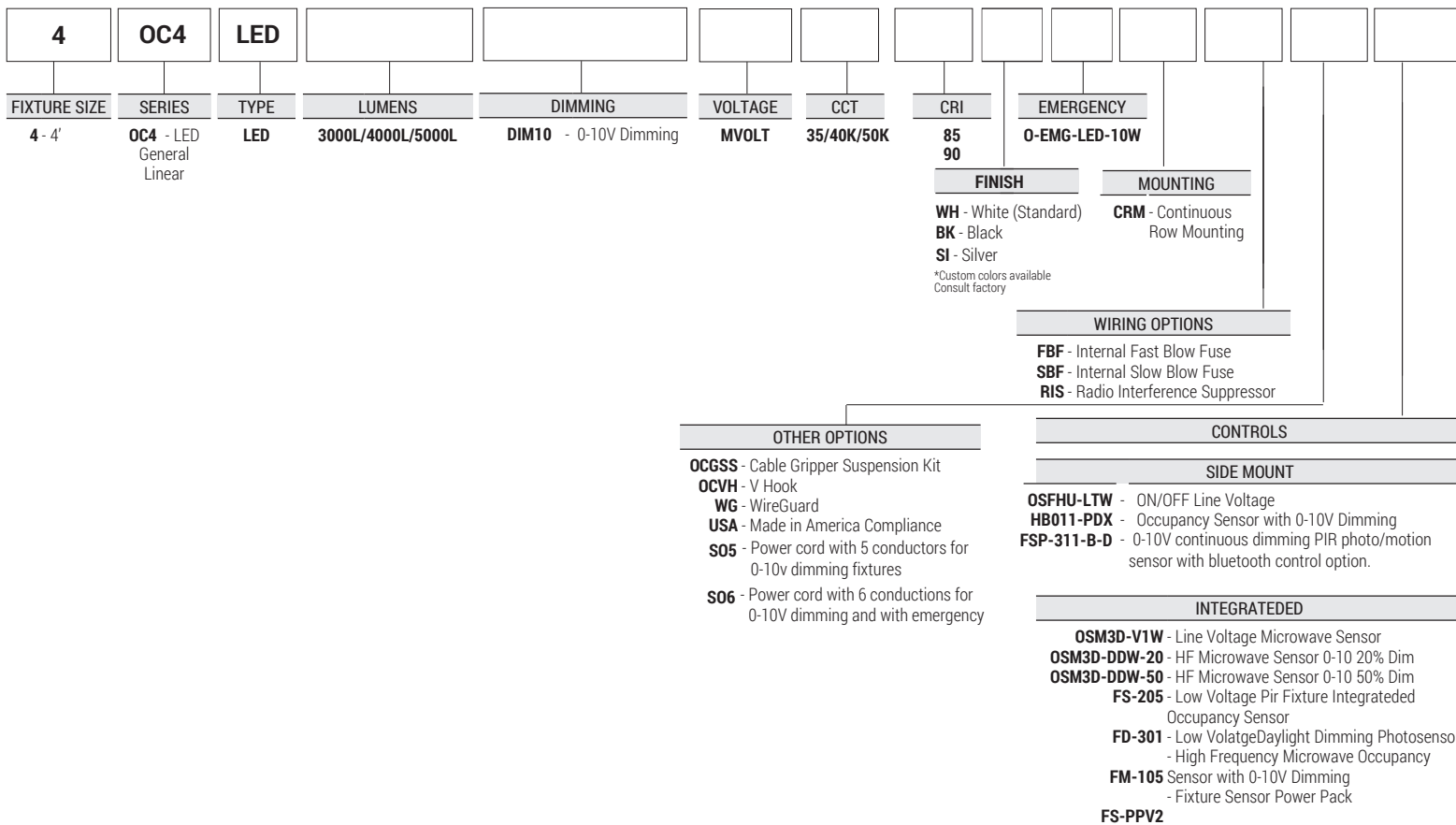
**WARRANTY**

Five-year warranty for parts and components. (Labor not included)

**LISTINGS**

c-UL-us - Listed for Feed Through Wiring.  
Listed for DLC, California Title 24 compliant.  
c UL us Listed for Damp location  
*Product not allowed to be in direct contact with water, sprinkler or rain*

Example: **4-OC4-LED-3000L/4000L/5000L-DIM10-MVOLT-35K/40K/50K-85**



\*FD-301 & FS-205 require FS-PPV2- Power Pack

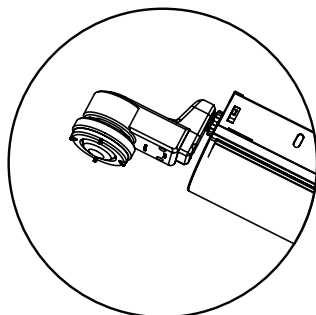
**INTEGRATED SENSOR AND CONTROL OPTIONS**

With the Integration of controls, Elite Lighting now offers its products with controls-ready performance that increases energy efficiency, smarter space planning, and the enhancement of safety and productivity in the workplace. By utilizing these controls, Elite Lighting luminaires enable your customer's facility to run smarter, with the use of an easily controlled system through any platform.

Luminaire will be shipped with Powerpacks pre-installed, ready to be Integrated to designated control systems  
 Luminaire will be shipped with Sensors installed on the luminaire, allowing for individual luminaire control. Luminaires will be ready to be Integrated with designated control systems  
 Luminaire will be shipped with Sensors to be remotely installed on the ceiling. Luminaires will be ready to be Integrated with designated control systems

BRAND	LEVITON®	legrand®
MICROWAVE INTEGRATED SENSOR	<input type="checkbox"/> OSM3D-DDW High Frequency Microwave Occupancy Sensor with 0-10V Dimming	<input type="checkbox"/> FM-105 High Frequency Microwave Occupancy Sensor with 0-10V Dimming
	<input type="checkbox"/> OSM3D-V1W Line Voltage Microwave Sensor	<input type="checkbox"/> FS-205 Low Voltage Pir Fixture Integrated Occupancy Sensor
PIR INTEGRATED SENSOR	<input type="checkbox"/> OSFHU-LTW PIR Fixture Mount Occupancy Sensor	<input type="checkbox"/> FSP-311-B-D 0-10V continuous dimming PIR photo/motion sensor with bluetooth control option.
	<input type="checkbox"/> HB011-PDX PIR Fixture Mount Occupancy Sensor with Daylight Harvesting	
		<input type="checkbox"/> FD-301 Low Voltage Daylight Dimming Photosensor

**SIDE MOUNT**



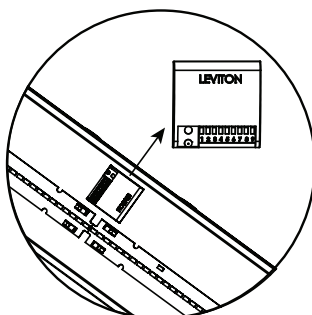
**LEGRAND**

FSP-311-B-D  
0-10V continuous dimming PIR photo/motion sensor with bluetooth control option.

**LEVITON**

HB011-PDX  
PIR Fixture Mount Occupancy Sensor with Daylight Harvesting  
 OSFHU-LTW  
PIR Fixture Mount Occupancy Sensor

**IntegratedED**



**LEGRAND**

FM-105  
High Frequency Microwave Occupancy Sensor with 0-10V Dimming  
 FS-205  
Low Voltage Pir Fixture Integrated Occupancy Sensor  
 FD-301  
Low Voltage Daylight Dimming Photosensor

**LEVITON**

OSM3D-DDW  
High Frequency Microwave Occupancy Sensor with 0-10V Dimming  
 OSM3D-V1W  
Line Voltage Microwave Sensor