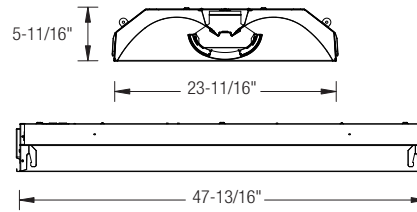




NEW



CALCULATED
L70
LIFETIME
65,000 HRS



Smart White

3000 LUMENS	4000 LUMENS	5000 LUMENS
36 WATT	50 WATT	66 WATT

General LED illumination for health care facilities, educational institutions, airports, commercial offices, retail and many other applications.

PRODUCT FEATURES:

- Shiloh Series Louvers are designed to increase directed usable task lighting while producing a glare-free environment
- Twilight series proprietary light lock system prevents light leakage at both ends of lamp shield. Steel side reflectors intersect with housing to ensure seamless appearance
- Lamp shield is 2/3 60% perforated white steel mesh, backed with high-transmission white acrylic diffuser for optimum light efficiency, maximum glare control and lamp image prevention
- Lamp shield is 1/3 white louvers creating higher directed task lighting
- Lamp shield pivots down for easy LED maintenance
- Post-painted with a 93% reflective white coat to improve fixture efficacy
- Rated at 85+ CRI and available in multiple CCTs
- Life tested to ensure light output up to 65,000 hours of operation to L70

- Tested to LM-79 and LM-80 standards
- LED lighting technology offers the highest return on initial investment over the lifetime of the fixture
- Emergency battery back-up comes pre-installed on the fixture and emergency push button is installed on the fixture for easy access and aesthetics.
- Dimmable down to 1% with compatible dimming systems
- LEDs are individually spaced at small intervals to eliminate any dark spots when combined with our diffusers
- LED light engine is completely removable and upgradable
- Four corner tie points are standard for safety wire support when required, built-in earthquake clips standard
- Fits into standard T-bar sizes including 5/8th, 3/8th, and slot T
- Same-day shipping on most options (Consult factory)

OPTICS - Diffuser is composed of a two-part system that includes a thin frosted acrylic sheet and a steel perforated lamp shield. The system works together to gather the light scattered by the LED chips and delivers uniform voluminous light into any environment. A single line of Shiloh Series perforated louvers run down the center of the diffuser to increase the amount of directed task lighting. The lens can be easily removed without the use of tools in case maintenance is required.

DURABILITY - Heavy-duty 20-gauge steel housing is engineered for maximum strength. Corners interlock to prevent aesthetic damage to fixture. All sides and corners are turned in and hemmed to remove sharp edges for safe handling and installation.

SMART WHITE (TUNABLE WHITE) - Smart White is a tunable white technology that allows you to color tune your space without compromising delivered light levels all while maintaining CRI of 90+ across the tunable range of 5000K to 2700K. Tunable White is an excellent choice for Commercial, Institutional, and Retail Space. If you want a more vivid and lively atmosphere, you can delve into the crisper bluer light 5000K has to offer. If you wish to relax and change the mood to calming feeling in your space, shift into the warmer tones of 2700K to create a calming effect. Flexibility of the Smart White system allows your space a dynamic and variable environment suitable for a wide range of activities. In order to Control the Color Tuning option, you must dedicate two 0-10V. Inputs, one for the Dimming Control and another for CCT Tuning

THERMAL MANAGEMENT - LED light engines are attached directly to the housing and keep LED engines cool. Our advanced thermal management system allows the light output of the LED engines to be maintained at 70% of initial lumens at 65,000 hours of operation.

ELECTRICAL - Powered by high-quality constant-current power LED drivers which are rated for 50 to 60Hz at 120-277V input, produce less than 20% THD, and have a power factor of .90 to 1.00.

MAINTENANCE - LED engines and driver can be accessed through the bottom by removing the lamp shield and center reflector. LED engines are removable and upgradable even after fixture installation. Fixture can be regularly and safely wiped down to ensure optimal fixture performance.

DIMMING - The OBLD-LED comes standard with **DIM10**, 0-10V dimming on either 120 or 277V. Dimmable down to 1% of initial lumens. Also available in Lutron dimming options. Consult factory for dimmer compatibility. **LUTH** - Lutron Hilume Dimming down to 1% compatible with 3 wire and EcoSystem Controls available on all fixtures up to 50 Watts. **LUT2W** - Lutron 2 Wire Dimming down to 1% compatible with 2 wire and Forward Phase Control Systems available on all fixtures up to 50 Watts. **LUTFTB** - Lutron Hilume Fade to Black Dimming down to 1% compatible with EcoSystem Controls available on all fixtures up to 75 Watts. **ELD010.1** - EldoLED SoloDrive 0-10V. Dimming down to .1%. available on all fixtures up to 100 Watts. **ELDODALI** - EldoLED PowerDrive 0-10V. Dimming down to .1%. available on all fixtures up to 100 Watts. **ELDODMX** - EldoLED PowerDrive Dimming down to .1%. available on all fixtures up to 100 Watts. Please see EldoLED website for wiring diagrams and a list of compatible DMX and Dali control systems.

OPTIONS - Fixtures can be shipped pre-installed with daylight harvesting controls, occupancy sensors, and/or power pack. Available manufacturer options include Leviton, Wattstopper, Hubble Automation, and others.

QUALITY CONTROL - Every fixture is turned on and rigorously tested by our QC Department before shipping.

WARRANTY - Limited 5 Year Warranty



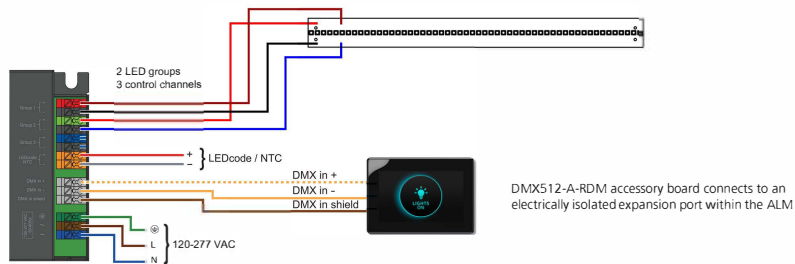
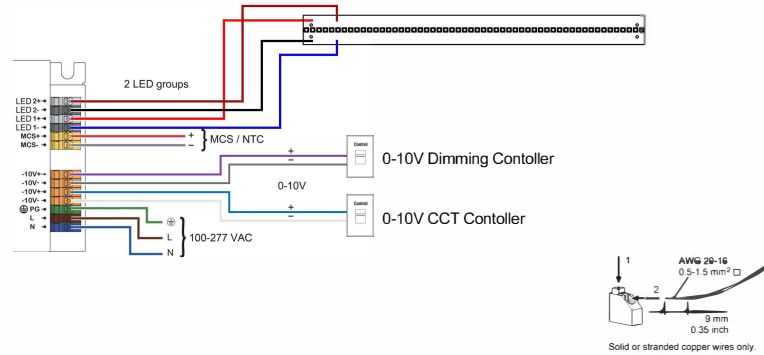
Ordering Information: Example: 24-OBLD-LED-TWH-3000L-DIM10-MVOLT-50K-27K-85

FIXTURE SIZE	SERIES	TYPE	TECH	SERIES	DIMMING	VOLTAGE	CCT	CRI	EMERGENCY	
24 - 2' X 4'	OBLD-Oracle Straight Blade Louvers Direct/ Indirect Series	LED	TWH -Smart White (Tunable White)	3000L - (3000 lumens) 4000L - (4000 lumens) 5000L - (5000 lumens)	DIM10 DALI DMX-RDM DMX-512	MVOLT	50K-27K	85	0-EMG-LED	
OTHER OPTIONS										
24FK - Flange Kit for 2' X 4' Fixture										
FBF - Internal Fast Blow Fuse										
SBF - Internal Slow-Blow Fuse										
RIS - Radio Interference Suppressor										
DCR - Dust Cover										
USA - Made in America Compliance										

LED
2' X 4'
OBLD

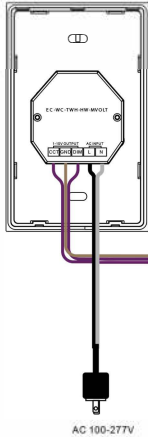
LED Recessed Direct/Indirect Center Mount Style

TWH-50K-27K



TWH Controller EC-WC-TWH-HW-MVOLT

Wiring Diagram:

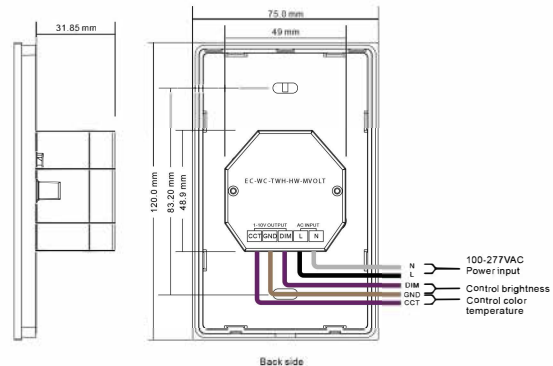
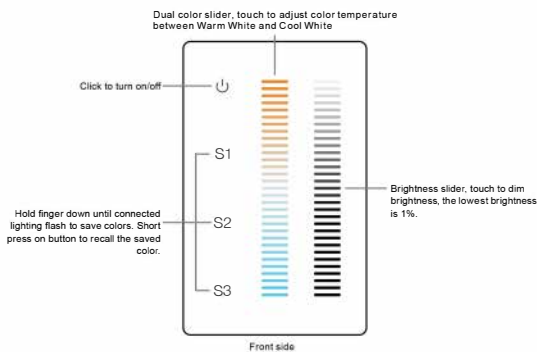
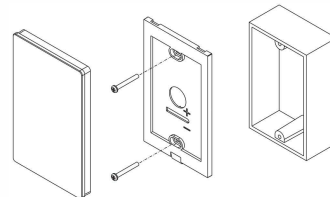
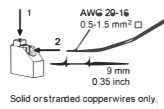
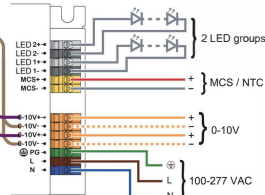


- 100-277VAC input.
- Touch slide tunable white and brightness control.
- 2 channels 1-10V signal output.
- 0.1%-100% dimming.
- Waterproof grade IP20.
- Save up to max 3 different colors.

Safety & Warnings:

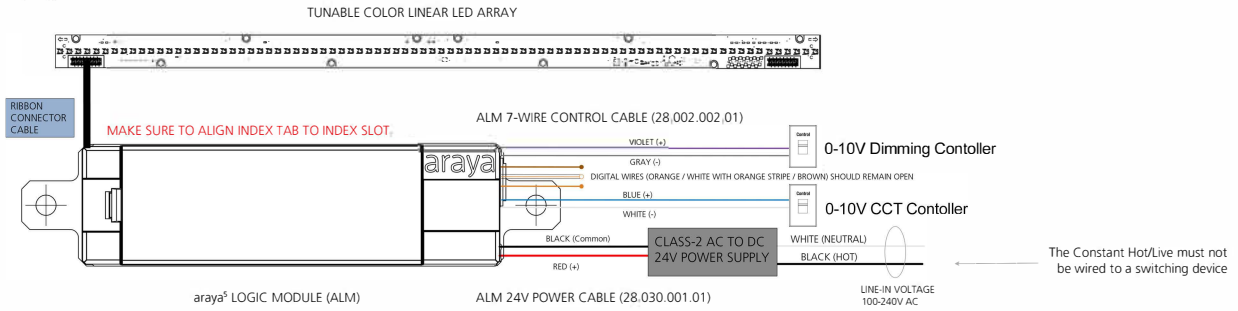
- DO NOT install with power applied to device.
- DO NOT expose the device to moisture.

Output Signal	2x(1-10V) signal
Power Supply	100-277VAC
Power consumption	30 mA max
Operating temperature	0-40°C
Relative humidity	8% to 80%
Dimensions	75x120x40.8mm

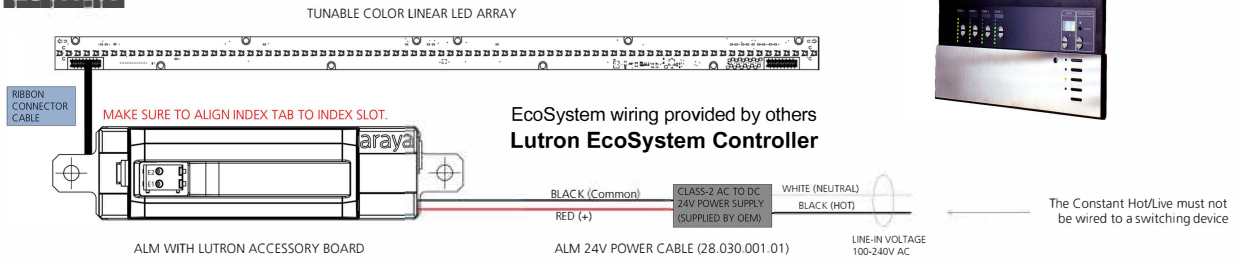


TWH-LTX-80K-16K

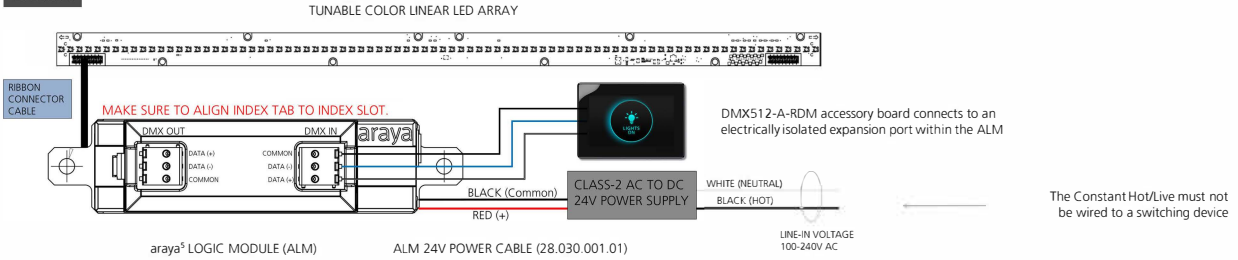
0-10V



LUTRON



DMX



BLUETOOTH

