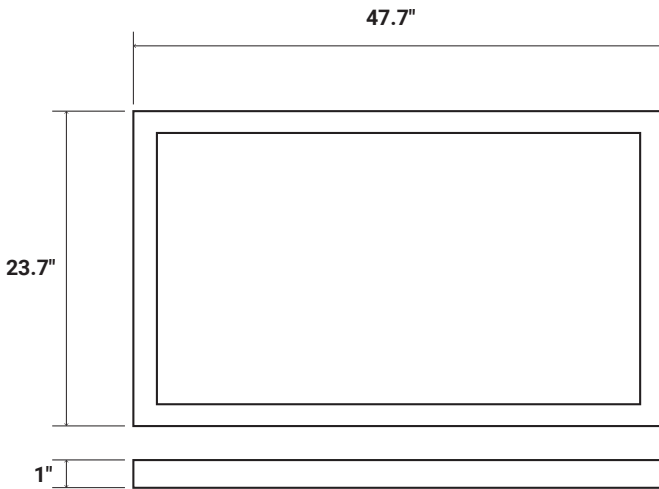




**MULTILUMEN** EASY 5 COLORS  
**SELECTOR** SELE**CTOR**



NOMINAL LUMENS	DELIVERED LUMENS	WATTAGE
3600	3888	29W
4400	4426	38W

Based on 4000K, 85+ CRI. Actual wattage may vary +/- 5%

**FEATURES**

**RADIANT ILLUMINATION FOR LOW PLENUM SPACES**  
This edge-lit LED flat panel delivers efficient, radiant illumination while optimizing shallow plenum spaces. Available with various dimming, multi-lumen, and multi-CCT options, and ready for surface mounted installations. Ideal for retail and commercial office spaces, as well as educational, and healthcare facilities. Available in 1x1 ft, 1x2 ft, 1x4 ft, 2x2 ft, and 2x4 ft sizes.

LUMENS	3600L, 4400L
CCT	27K/30K/35K/40K/50K
CRI	85
COLOR QUALITY	3 Step MacAdam Ellipse
MOUNTING	Ceiling Mount
DIMMING & CONTROL	DIMTR/120-DIM10/MVOLT
EMERGENCY	25W High Voltage Invert (Remote)
WORKING TEMPERATURE	-40°C (-40°F) to +40°C (+104°F)
LIFETIME	L70 at 60,000H
PHOTOMETRIC TESTS	In accordance with IES LM79-08, LM80 and TM-30, TM-21



**OPTICAL SYSTEM**

Features a frosted polycarbonate lens and a combination of reflective and refractive optical components to achieve a uniform beam diffusion. Use of a light guide plate creates even, glare-free illumination, while maintaining high efficiency.

Luminaire available in selectable lumens of 3600L/4400L. Five selectable color temperatures of 27K/30K/35K/40K/50K allow for versatile across different warm to cool moods and atmospheres.

Lumen factory set to 4400L. CCT factory set to 50K.

**CONSTRUCTION**

Frame built from a lightweight aluminum with a heavy duty 20-gauge cold rolled steel back panel. Post-painted and engineered for maximum strength and extended life. All corners interlock to prevent aesthetic damage to the luminaire, with sides and corners uniformly turned in and hemmed to remove sharp edges for safe handling and easy installation.

Post-painted with a 93% reflective white coat to improve luminaire efficacy.

**MOUNTING**

Suitable for surface mounting. Can be attached to the ceiling by attaching the J-box on the back of the luminaire into the mounting plate.

**MAINTENANCE**

Luminaire can be regularly and safely wiped down to ensure optimal performance. Easy plug-in connectors (included) for easy replacement or servicing.

**OPTIONS & ACCESSORIES**

Plug-in connectors and surface mounting plate included. A 25W remote emergency battery back-up option available to order separately.

**DRIVER & ELECTRICAL INFORMATION**

Powered by high-quality constant-current LED drivers which are rated for 50 to 60Hz at 120/277v input. Produce less than 20% THD, and have a power factor of .90 to 1.00.

**DIMMING**

**DIMTR** - Triac & Electronic low voltage dimming. Available in 120V only.  
**DIM10** - 0-10V dimming. Available in MVOLT.

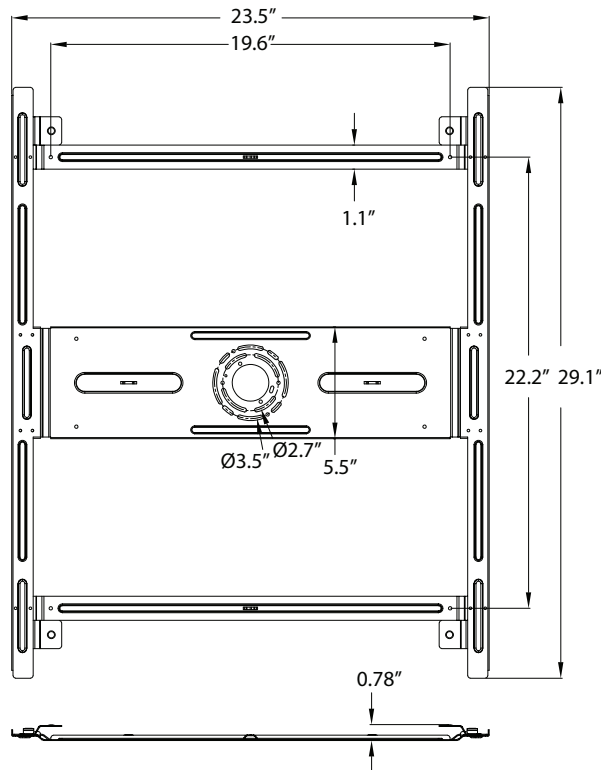
**WARRANTY**

5-year warranty for parts and components (labor not included).

**LISTINGS**

ETL - Listed for Feed Through Wiring.  
DLC listed.

**SURFACE MOUNT PLATE**



Example: **24-FPL1-SM-LED-3600L/4400L-DIMTR/120-DIM10/MVOLT-27K/30K/35K/40K/50K-85**

<b>24</b>	<b>FPL1-SM</b>	<b>LED</b>					
<b>TYPE</b>	<b>SERIES</b>	<b>TYPE</b>	<b>LUMENS</b>	<b>DIMMING/VOLTAGE</b>	<b>CCT</b>	<b>CRI</b>	<b>EMERGENCY</b>
24-2'X4'	FPL1-SM	LED	3600L/4400L	DIMTR/120-DIM10/MVOLT	27K/30K/35K/40K/50K	85	EMG-LED-G4-120-347V-CP-16W-HV-FLEX EMG-LED-G4-120-347V-CP-25W-HV-FLEX

2'X4' FPL1-SM  
Surface Mount Flat Panel

INPUT WATTS: 29.2

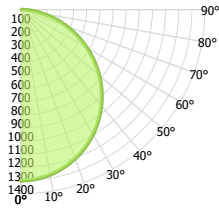
LUMENS: 3888

EFFICACY: 133

BEAM ANGLE: 114

SPACING CRITERIA: 1.25

CANDELA DISTRIBUTION



CANDELA TABLE

Table with 2 columns: 0° and 90°. Rows show values for 0°, 10°, 20°, 30°, 40°, 50°, 60°, 70°, 80°, 90°.

LUMINANCE (cd/sq.m)

Table with 2 columns: 0.00° and 90.00°. Rows show values for 0.00°, 45.00°, 55.00°, 65.00°, 75.00°, 85.00°.

LUMENS PER ZONE

Table with 2 columns: ZONE and LUMENS. Rows show values for 0°-10°, 10°-20°, 20°-30°, 30°-40°, 40°-50°, 50°-60°, 60°-70°, 70°-80°, 80°-90°.

ZONAL LUMEN SUMMARY

Table with 3 columns: ZONE, UMENS, % LUMINAIRE. Rows show values for 0°-20°, 0°-30°, 0°-40°, 0°-60°, 0°-80°, 0°-90°.

CONE OF LIGHT

Table with 4 columns: MOUNTING HEIGHT, FC AT BEAM CENTER, BEAM DIA. 0°-180°, BEAM DIA. 90°-270°. Rows show values for 6.0 ft to 20.0 ft.

INDOOR COEFFICIENTS OF UTILIZATION

Large table with multiple columns for utilization coefficients (0%, 10%, 20%, 30%, 50%, 70%, 80%) and rows for different mounting heights (0 to 10).

INPUT WATTS: 38.5

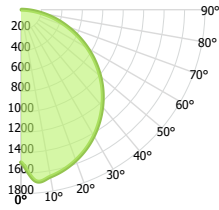
LUMENS: 4426

EFFICACY: 115

BEAM ANGLE: 114

SPACING CRITERIA: 1.37

CANDELA DISTRIBUTION



CANDELA TABLE

Table with 2 columns: 0° and 90°. Rows show values for 0°, 10°, 20°, 30°, 40°, 50°, 60°, 70°, 80°, 90°.

LUMINANCE (cd/sq.m)

Table with 2 columns: 0.00° and 90.00°. Rows show values for 0.00°, 45.00°, 55.00°, 65.00°, 75.00°, 85.00°.

LUMENS PER ZONE

Table with 2 columns: ZONE and LUMENS. Rows show values for 0°-10°, 10°-20°, 20°-30°, 30°-40°, 40°-50°, 50°-60°, 60°-70°, 70°-80°, 80°-90°.

ZONAL LUMEN SUMMARY

Table with 3 columns: ZONE, UMENS, % LUMINAIRE. Rows show values for 0°-20°, 0°-30°, 0°-40°, 0°-60°, 0°-80°, 0°-90°.

CONE OF LIGHT

Table with 4 columns: MOUNTING HEIGHT, FC AT BEAM CENTER, BEAM DIA. 0°-180°, BEAM DIA. 90°-270°. Rows show values for 6.0 ft to 20.0 ft.

INDOOR COEFFICIENTS OF UTILIZATION

Large table with multiple columns for utilization coefficients (0%, 10%, 20%, 30%, 50%, 70%, 80%) and rows for different mounting heights (0 to 10).