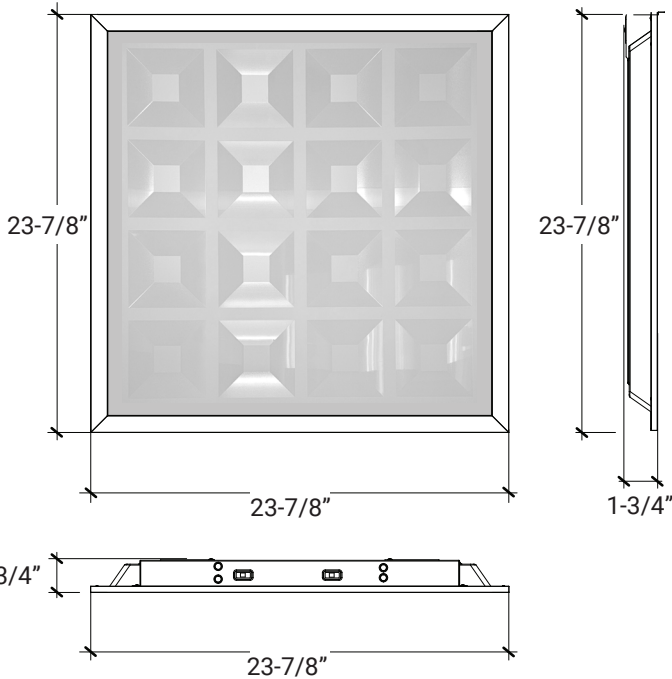


SQT-Square Text

EASY COLORS SELECTOR **MULTI-LUMEN SELECTOR**

DIMENSIONS



FEATURES

The clean design of the **Fully Luminous Decorative Troffer** transforms your lighting projects into a masterpiece of art.

This **unique 3D optical pattern** is a contemporary alternative to traditional fluorescent troffers. The **22-OAT3D-LED-SQT design** delivers unmatched uniform light distribution.

Easily adjust brightness levels (**multi-lumen**) and color options (**multi-CCT**) in the field with multi-lumen and multi-CCT selectors. Perfect for **offices, schools, healthcare, hospitals, retail**, among other applications.

4000/5000/6000

NOMINAL LUMENS	DELIVERED LUMENS	WATTAGE
6000	5694	50W
5000	4910	41W
4000	3831	30W

Based on 4000K, 85+ CRI. Actual wattage may vary +/- 5%

2000/3000/4000/5000

NOMINAL LUMENS	DELIVERED LUMENS	WATTAGE
5000	4910	41W
4000	4536	37W
3000	3538	28W
2000	2591	19W

Based on 4000K, 85+ CRI. Actual wattage may vary +/- 5%

2000/3000/4000		
NOMINAL LUMENS	DELIVERED LUMENS	WATTAGE
4000	4536	37W
3000	3538	28W
2000	2591	19W

Based on 4000K, 85+ CRI. Actual wattage may vary +/- 5%

TECHNICAL DETAILS

LUMENS	2000L/ 3000L/ 4000L 2000L/ 3000L/ 4000L/ 5000L 4000L/ 5000L/ 6000L 5000L/ 6000L/ 7000L
CCT	35K/40K/50K 30K/35K/40K 30K/35K/40K/50K
CRI	85+
UGR	<19
COLOR QUALITY	3 Step MacAdam Ellipse

SIZE	2'X2'
MOUNTING	Recessed, Suspended, Surface Mount
DIMMING	0-10V Flicker Free 10% Dimming Standard (Dim10)
EMERGENCY	10W-Up to 1000L output, 20W-Up to 2000L output
LIFETIME	L70 at 60,000 Hours
PHOTOMETRIC TST	In accordance with IES LM79-08, LM80 & TM30,TM21

MAINTENANCE

Luminaire can be regularly and safely wipe down to ensure the peak of performance.

OPTICAL SYSTEM

Clear acrylic 0.125" matte PMMA, in 18 different 3D graphic image printed on inside lens surface, which protects it from cleaning solutions with scratch and impact resistant lens. Illumination is spread across the entire surface of the Architectural Panel, emitting soft, even light. A 110-degree beam angle ensures clear, shadow-free light.

CONSTRUCTION

Narrow extruded aluminum is tightly held to code gauge steel back plate with seamless corners to maximize the light emitting surface with a refined finish. Acrylic Architectural Lens technology enables a wide-variety of 3D visual forms; all on an easy-to-clean flat surface.

MOUNTING

Easy to install. Mounting hardware included. Accommodates lay-in ceilings, Slot T, and T bar suspension systems for 5/8" and 3/8" ceiling widths. Built-in grid and earthquake clips come standard. Options for flange kits, surface mounted kits and more. SMK required if suspending the fixture.

OPTIONS

Luminaires can be shipped pre-installed with whips, modular wiring systems.

DRIVER ELECTRICAL INFORMATION

Powered by high-quality constant-current power LED drivers which are rated for 50 to 60Hz at 120/277V input provides noise free operation. Available in 347V; produce less than 20% THD, and have a power factor of .90 to 1.00.

CONTROL OPTION

Compatible with field installed wireless controls such as daylight harvesting controls, occupancy sensors, and/or power packs for individual or room control applications

LED and PERFORMANCE

The Mid power LED array provides an uniform source with high efficiency and no pixilation in +85 CRI minimum, R9 greater than 12 with 3 SDCM. The color Temperature (CCT) and Lumen has a selectable range from 3000K to 5000K color temperature and 2000 to 6000 lumen with 2 separate side mount slide switch located in the back of the luminaire.

DIMMING & DRIVER INFORMATION

DIM10 - Flicker Free and continuous 10% Dimming Standard (DIM10) 0-10V dimming on either MVOLT 120, 277V and 347V

WARRANTY

Five-year warranty for parts and components. (Labor not included)

LISTINGS

c-UL-us - Listed for Feed Through Wiring.

Can be used to comply with Tittle 24, non residential lighting requirements.

Damp location rated.

For DesignLights Consortium® (DLC) qualified products please visit www.designlights.org. Not all family members will be listed for DLC Premium or DLC Standard.

Example: 22-OAT3D-LED-SQT-2000L/3000L/4000L-DIM10-120-347V-30K/35K/40K-85

SERIES	LUMENS	DIMMING	VOLTAGE	CCT	CRI	EMERGENCY	OTHER OPTIONS
22-OAT3D-LED	2000L/3000L/4000L	DIM10	MVOLT	35K/40K/50K	85	0-EMG-LED-10W	22FK - 2'x2' Flange Kit
	4000L/5000L/6000L	DIM10	MVOLT	35K/40K/50K		0-EMG-LED-20W	22-OAT3D-LED-SMK - 2'x2' Surface Mount Kit
	2000L/3000L/4000L/5000L	DIM10	MVOLT	30K/35K/40K/50K			USA - Made in America
	5000L/6000L/7000L	DIM10	MVOLT	30K/35K/40K/50K			Compliance
	2000L/3000L/4000L/5000L	DIM10	120-347V	30K/35K/40K/50K			
	2000L/3000L/4000L	DIM10	120-347V	30K/35K/40K			
	4000L/5000L/6000L	DIM10	120-347V	30K/35K/40K			

LENS
SQT-Square Text



Due to the changes of constant improvement in LED technology, all details are subject to change **without notice**. Consult factory for **up to date** information.

