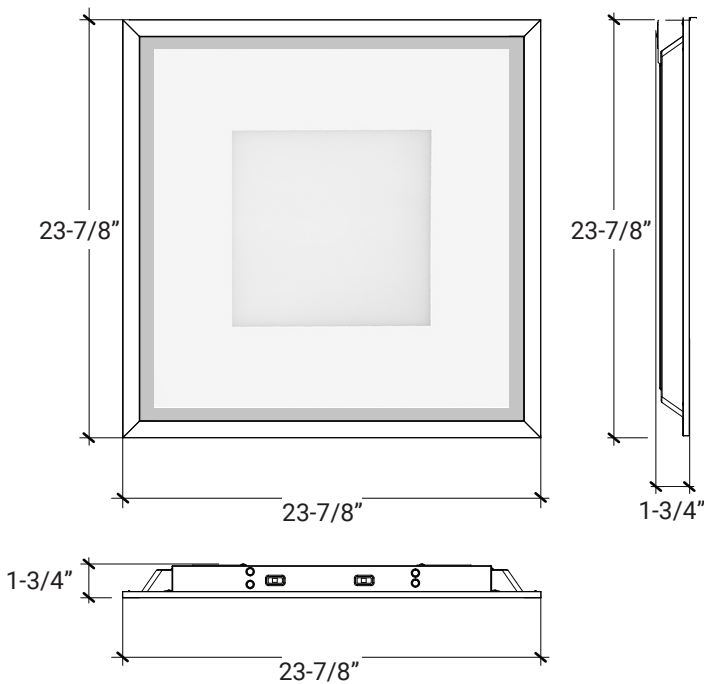


**CQ-Center Square**

EASY COLORS  
**SELECTOR** MULTI-LUMEN  
SELECTOR

**DIMENSIONS**



**FEATURES**

The clean design of the **Fully Luminous Decorative Troffer** transforms your lighting projects into a masterpiece of art.

This **unique 3D optical pattern** is a contemporary alternative to traditional fluorescent troffers. The **22-OAT3D-LED-CQ design** delivers unmatched uniform light distribution.

Easily adjust brightness levels (**multi-lumen**) and color options (**multi-CCT**) in the field with multi-lumen and multi-CCT selectors. Perfect for **offices, schools, healthcare, hospitals, retail**, among other applications.

**4000/5000/6000**

NOMINAL LUMENS	DELIVERED LUMENS	WATTAGE
6000	5694	50W
5000	4910	41W
4000	3831	30W

Based on 4000K, 85+ CRI. Actual wattage may vary +/- 5%

**2000/3000/4000/5000**

NOMINAL LUMENS	DELIVERED LUMENS	WATTAGE
5000	4910	41W
4000	4536	37W
3000	3538	28W
2000	2591	19W

Based on 4000K, 85+ CRI. Actual wattage may vary +/- 5%

**2000/3000/4000**

NOMINAL LUMENS	DELIVERED LUMENS	WATTAGE
4000	4536	37W
3000	3538	28W
2000	2591	19W

Based on 4000K, 85+ CRI. Actual wattage may vary +/- 5%

**TECHNICAL DETAILS**

<b>LUMENS</b>	2000L/ 3000L/ 4000L   2000L/ 3000L/ 4000L/ 5000L 4000L/ 5000L/ 6000L   5000L/ 6000L/ 7000L
<b>CCT</b>	35K/40K/50K 30K/35K/40K 30K/35K/40K/50K
<b>CRI</b>	85+
<b>UGR</b>	<19
<b>COLOR QUALITY</b>	3 Step MacAdam Ellipse

<b>SIZE</b>	2'X2'
<b>MOUNTING</b>	Recessed, Suspended, Surface Mount
<b>DIMMING</b>	0-10V Flicker Free 10% Dimming Standard (Dim10)
<b>EMERGENCY</b>	10W-Up to 1000L output, 20W-Up to 2000L output
<b>LIFETIME</b>	L70 at 60,000 Hours
<b>PHOTOMETRIC TST</b>	In accordance with IES LM79-08, LM80 & TM30, TM21

**MAINTENANCE**

Luminaire can be regularly and safely wipe down to ensure the peak of performance.

**OPTICAL SYSTEM**

Clear acrylic 0.125" matte PMMA, in 18 different 3D graphic image printed on inside lens surface, which protects it from cleaning solutions with scratch and impact resistant lens. Illumination is spread across the entire surface of the Architectural Panel, emitting soft, even light. A 110-degree beam angle ensures clear, shadow-free light.

**CONSTRUCTION**

Narrow extruded aluminum is tightly held to code gauge steel back plate with seamless corners to maximize the light emitting surface with a refined finish. Acrylic Architectural Lens technology enables a wide-variety of 3D visual forms; all on an easy-to-clean flat surface.

**MOUNTING**

Easy to install. Mounting hardware included. Accommodates lay-in ceilings, Slot T, and T bar suspension systems for 5/8" and 3/8" ceiling widths. Built-in grid and earthquake clips come standard. Options for flange kits, surface mounted kits and more. SMK required if suspending the fixture.

**OPTIONS**

Luminaires can be shipped pre-installed with whips, modular wiring systems.

**DRIVER ELECTRICAL INFORMATION**

Powered by high-quality constant-current power LED drivers which are rated for 50 to 60Hz at 120/277V input provides noise free operation. Available in 347V; produce less than 20% THD, and have a power factor of .90 to 1.00.

**CONTROL OPTION**

Compatible with field installed wireless controls such as daylight harvesting controls, occupancy sensors, and/or power packs for individual or room control applications

**LED and PERFORMANCE**

The Mid power LED array provides an uniform source with high efficiency and no pixilation in +85 CRI minimum, R9 greater than 12 with 3 SDCM. The color Temperature (CCT) and Lumen has a selectable range from 3000K to 5000K color temperature and 2000 to 6000 lumen with 2 separate side mount slide switch located in the back of the luminaire.

**DIMMING & DRIVER INFORMATION**

**DIM10** - Flicker Free and continuous 10% Dimming Standard (DIM10) 0-10V dimming on either MVOLT 120, 277V and 347V

**WARRANTY**

Five-year warranty for parts and components. (Labor not included)

**LISTINGS**

c-UL-us - Listed for Feed Through Wiring.

Can be used to comply with Tittle 24, non residential lighting requirements.

Damp location rated.

For DesignLights Consortium® (DLC) qualified products please visit [www.designlights.org](http://www.designlights.org). Not all family members will be listed for DLC Premium or DLC Standard.

Example: 22-OAT3D-LED-CQ-2000L/3000L/4000L-DIM10-120-347V-30K/35K/40K-85

