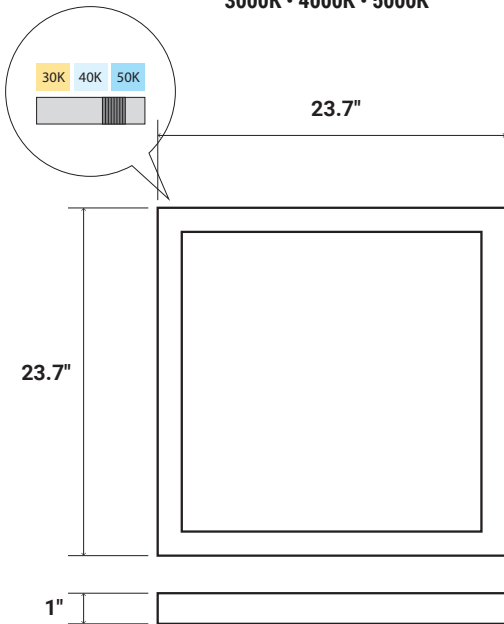




**EASY 3 COLORS**  
**SELECCTOR**  
3000K • 4000K • 5000K



NOMINAL LUMENS	DELIVERED LUMENS	WATTAGE
4000	3970	40W

Based on 4000K, 85+ CRI. Actual wattage may vary +/- 5%

**FEATURES**

This fully luminous LED flat panel delivers exceptional performance and aesthetically pleasing optics, optimizing shallow plenum spaces. It offers a range of dimming, lumen and Multi-CCT options. Perfect for surface mounted installations, it's an ideal choice for commercial office space, retail merchandising, educational, and healthcare facilities.

LUMENS	4000L
CCT	30K/40K/50K
CRI	85+
COLOR QUALITY	3 Step MacAdam Ellipse
MOUNTING	Ceiling Mount
DIMMING & CONTROL	DIMTR (Triac) Forward Phase
EMERGENCY	25W high voltage inverter (remote)
WORKING TEMPERATURE	-40°C (-40°F) to +40°C (+104°F)
LIFETIME	L70 at 60,000Hrs
PHOTOMETRIC TESTS	In Accordance with IES LM79-08, LM80 and TM-30, TM-21



**OPTICAL SYSTEM**

The proprietary optical system utilizes a unique combination of reflective and refractive optical components to achieve a uniform, aesthetically pleasing appearance. Use of a light guide plate creates even, glare-free illumination, while maintaining high efficiency.

**CONSTRUCTION**

Heavy duty 20-gauge cold rolled steel back panel and aluminum frame, post-painted and engineered for maximum strength and extended life. All corners interlock to prevent aesthetic damage to the luminaire, with sides and corners uniformly turned in and hemmed to remove sharp edges for safe handling and easy installation.

**FINISH**

Post-painted with a 93% reflective white coat to improve luminaire efficacy, with all body components seamlessly interlocked for added structural strength.

**MOUNTING**

Surface mounting. Attach to the ceiling using mountin plate to the J-box. Easy plug in connectors (Included) for easy replacement or servicing.

**DRIVER ELECTRICAL INFORMATION**

Powered by high-quality constant-current power LED drivers which are rated for 50 to 60Hz at 120V input.

**DIMMING & DRIVER INFORMATION**

**DIMTR** - Triac & Electronic low voltage dimming. Available in 120V only.

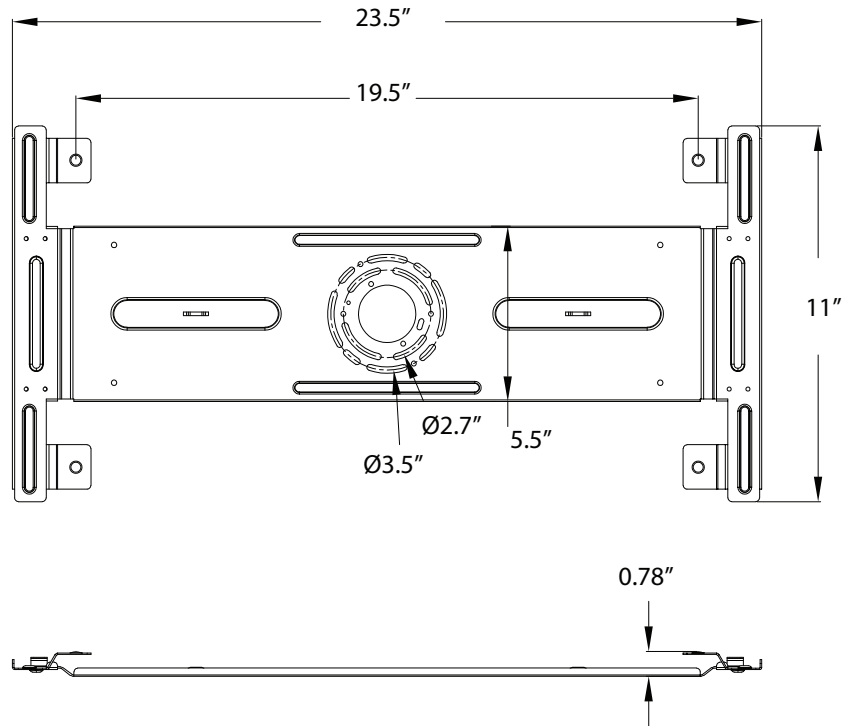
**WARRANTY**

Five-year warranty for parts and components. (Labor not included)

**LISTINGS**

ETL - Listed for Feed Through Wiring.  
Listed for Energy Star, California Title 24 compliant

**SURFACE MOUNT PLATE**



Example: **22-FPL1-SM-LED-4000L-DIMTR-120-30K/40K/50K-85**

<b>22</b>	<b>FPL1-SM</b>	<b>LED</b>						
<b>TYPE</b>	<b>SERIES</b>	<b>TYPE</b>	<b>LUMENS</b>	<b>DIMMING</b>	<b>VOLTAGE</b>	<b>CCT</b>	<b>CRI</b>	<b>EMERGENCY</b>
22-2'X2'	FPL1-SM Surface Mount Flat Panel	LED	4000L	DIMTR - TRIAC DIMMING	120	30K/40K/50K	85	EMG-LED-G-16W-HV-FLEX