



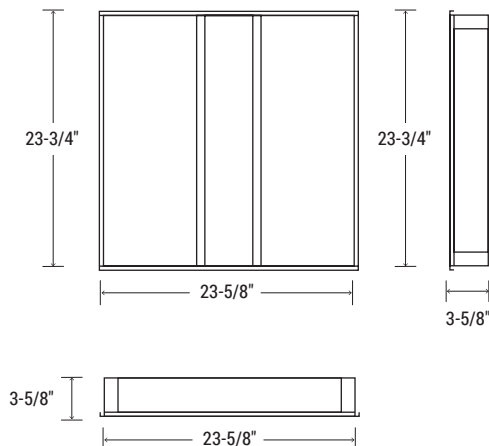
Translucent Design

See-through when powered off. When on, luminaire design provides both up- and downlight.



**EASY 3 COLORS
SELECTOR**

3000K | 3500K | 4000K



NOMINAL LUMENS	DELIVERED LUMENS	*WATTAGE
4000	4013	40 W
3000	3198	35 W
2000	2086	23 W

Based on 4000K, 85+ CRI. Actual wattage may vary +/- 5%

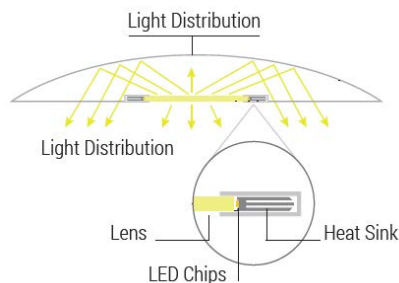
FEATURES

The Edge is an architectural edge-lit troffer delivering indirect, volumetric illumination. A wide distribution fills the entire room with dark spot-free illumination. An exceptional spacing criteria requires less fixtures needed to achieve recommended footcandles. A fully luminous, architectural look makes the Edge ideal for offices, educational, healthcare, and retail applications.

MULTI LUMEN/MULTI CCT

Easily field-selectable multi-lumen and multi-CCT selector switches allow you to easily change the intensity and CCT in the field.

LUMENS	2000/3000/4000
CCT & DYNAMIC PLATFORMS	30K/35K/40K
CRI	85+
COLOR QUALITY	3 Step MacAdam Ellipse
SIZE	2'x2'
MOUNTING	Recessed
DIMMING & CONTROL	0-10V Flicker Free 1% Dimming Standard (DIM10)
EMERGENCY	10W - Up to 1000L output 20W - Up to 2000L output
LIFETIME	L70 150,000 Hours
PHOTOMETRIC TESTS	In Accordance with IES LM79-08, LM80 and TM-30, TM-21



Indirect

Horizontal illumination and minimal glare means softer, more comfortable illumination.



Patents Pending

OPTICAL SYSTEM

A multi-dimensional optical system includes a center diffuser, light guide plate, and reflector, combining to produce indirect, even, glare-free illumination. When paired with edge-lit LEDs, the light guide plate directs light from the edges and distributes it evenly over the face of the lens. A reflector on both sides of the lens prevents light leaks from the back, reflecting light source to the front. Center diffuser provides a soft glow of illumination and eliminates surface shadows. A horizontal light source delivers illumination closer to the ceiling line and zero pixilation from both sides of the luminaire. Flat lens allows for luminaire to be extremely shallow in depth.

CONSTRUCTION

Heavy-duty 20-gauge cold rolled steel body, post-painted with a 93% reflective white coat. Shallow depth of 3-5/8" ideal for shallow plenums. All corners interlock to remove sharp edges for safe handling. Luminaire is supplied with multiple wiring entrances for easy daisy chaining, to add power packs, whips, or other accessories in the field, or for continuous row mounting.

MOUNTING

Luminaires accommodate lay-in ceilings, Slot T, and T-bar suspension systems for 5/8" and 3/8" ceiling thicknesses. Four corner tie points are standard for safety wire support when required, with built-in earthquake clips, standard. Luminaires may be available with flange kits, surface mounted kits, and other options.

DRIVER ELECTRICAL INFORMATION

Powered by high-quality constant-current power LED drivers which are rated for 50 to 60Hz at 120/277V input. Available in 347V., produce less than 20% THD, and have a power factor of .90 to 1.00.

DIMMING & DRIVER INFORMATION

DIM10 - Flicker Free 1% Dimming Standard (DIM10) 0-10V dimming on either MVOLT 120, 277V.

WARRANTY

Five-year warranty for parts and components. (Labor not included)

LISTINGS

c-UL-us - Listed for Feed Through Wiring.
Listed for DLC, California Title 24 compliant.

Example: **22-EDGE-LED-2000L/3000L/4000L-DIM10-MVOLT-30K/35K/40K-85**

FIXTURE SIZE	SERIES	TYPE	LUMENS	DIMMING	VOLTAGE	CCT	CRI	EMERGENCY	OTHER OPTIONS
22 - 2' X2'	EDGE - LED Volumetric Troffer	LED	2000L/3000L/4000L	DIM10 - 0-10V Dimming	MVOLT 120 277	30K/35K/40K	85	0-EMG-LED-10W 0-EMG-LED-20W	22FK - 2'x2' Flange Kit FBF - Internal Fast Blow Fuse SBF - Internal Slow Blow Fuse RIS - Radio Interference Suppressor USA - Made in America Compliance

22-EDGE-LED-3000L-DIM10-MVOLT-30K-35K-40K-85

TEST NO.: EL03203168

INPUT WATTS: 35.3

LUMENS: 3198

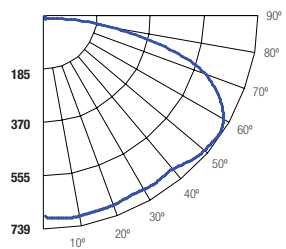
CRI: 85

EFFICACY: 91

CCT: 30/35/40K

SPACING CRITERIA: 1.66

Candle Power Distribution (Candelas)



Zonal Lumens Summary

Zone	Lumens	%Lamp	%Fixt
0-20	263.92	8.30	8.30
0-30	578.21	18.10	18.10
0-40	994.19	31.10	31.10
0-60	2061.64	64.50	64.50
0-80	3022.88	94.50	94.50
0-90	3168.28	99.10	99.10

Luminance (Average candela/M²)

Angle in Degrees	Average 0°	Average 45°	Average 90°
45	2736	2549	2275
55	3450	3143	2584
65	4325	3767	2847
75	4911	4415	3136
85	4229	3959	3437

Lumens Per Zone

Zone	Lumens
0-10	67.22
10-20	196.70
20-30	314.29
30-40	415.98
40-50	501.44
50-60	566.02
60-70	550.88
70-80	410.36
80-90	145.40

Candela Tabulation

Q	Candela
0	701.652
5	715.120
15	709.540
25	701.210
35	701.260
45	719.600
55	736.020
65	679.870
75	472.790
85	137.100
90	4.520

Cone of Light

Beam Diameter (ft)	Beam Diameter (m)	Beam Angle (°)	Beam Diameter (ft)	Beam Diameter (m)	Beam Angle (°)
2	243	15.5	5.7		
4	64.4	30.0	11.1		
6	28.1	45.5	16.8		
8	15.6	60.9	22.5		
10	10.2	75.5	27.8		
12	7.02	91.0	33.5		

BEAM DIA. MEASURED AT 50% OF NADIR F.C.

Coefficients of Utilization - Zonal Cavity Method
Effective Floor Cavity Reflectance 0.20

ROOM CAVITY RATIO	RC	80%				70%				50%				30%				10%				0%
		RW		RW		RW		RW		RW		RW		RW		RW		RW		0%		
		70%	50%	30%	10%	70%	50%	30%	10%	50%	30%	10%	30%	30%	10%	10%	30%	10%	10%	0%		
0		119	119	119	119	116	116	116	116	111	111	111	106	106	106	101	101	101	99			
1		108	100	94	90	103	97	92	88	93	89	85	89	85	82	85	82	80	77			
2		94	84	76	69	91	82	75	68	78	72	66	75	69	65	72	67	63	61			
3		85	72	63	55	82	71	62	55	67	60	53	64	58	52	61	56	51	49			
4		77	63	53	45	74	61	52	45	59	50	44	56	49	43	54	48	42	40			
5		70	55	45	38	68	54	45	38	52	43	37	50	42	36	48	41	36	33			
6		64	49	39	32	62	48	39	32	46	38	32	44	37	31	43	36	31	29			
7		59	44	35	28	57	43	34	28	42	33	27	40	33	27	39	32	27	25			
8		55	40	31	25	53	39	31	24	38	30	24	37	29	24	35	29	24	22			
9		51	37	28	22	50	36	27	22	35	27	21	33	26	21	32	26	21	19			
10		48	34	25	20	46	33	25	19	32	24	19	31	24	19	30	24	19	17			

RC - Ceiling Cavity Reflectance RW - Wall Reflectance

22-EDGE-LED-4000L-DIM10-MVOLT-30K-35K-40K-85

TEST NO.: EL03052013

INPUT WATTS: 40.5

LUMENS: 4013

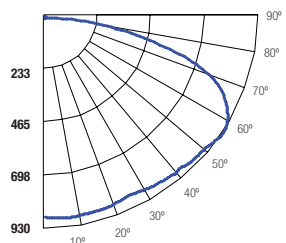
CRI: 85

EFFICACY: 99

CCT: 30/35/40K

SPACING CRITERIA: 1.66

Candle Power Distribution (Candelas)



Zonal Lumens Summary

Zone	Lumens	%Lamp	%Fixt
0-20	332.04	8.30	8.30
0-30	727.29	18.10	18.10
0-40	1250.31	31.20	31.20
0-60	2588.14	64.50	64.50
0-80	3794.95	94.60	94.60
0-90	3974.6	99.10	99.00

Luminance (Average candela/M²)

Angle in Degrees	Average 0°	Average 45°	Average 90°
45	3430	3096	2869
55	4349	3746	3192
65	5512	4442	3671
75	6077	5086	3842
85	4735	4429	3957

Lumens Per Zone

Zone	Lumens
0-10	84.57
10-20	247.47
20-30	395.26
30-40	523.02
40-50	632.15
50-60	705.67
60-70	696.06
70-80	510.75
80-90	179.64

Candela Tabulation

Q	Candela
0	883.731
5	894.380
15	888.730
25	871.130
35	887.740
45	902.200
55	927.750
65	866.440
75	585.020
85	153.490
90	3.990

Cone of Light

Beam Diameter (ft)	Beam Diameter (m)	Beam Angle (°)	Beam Diameter (ft)	Beam Diameter (m)	Beam Angle (°)
2	306	16.6	5.4		
4	81.2	32.2	10.5		
6	35.3	48.8	15.0		
8	19.7	65.3	21.2		
10	12.8	80.9	26.3		
12	8.84	97.5	31.7		

BEAM DIA. MEASURED AT 50% OF NADIR F.C.

Coefficients of Utilization - Zonal Cavity Method
Effective Floor Cavity Reflectance 0.20

ROOM CAVITY RATIO	RC	80%				70%				50%				30%				10%				0%
		RW		RW		RW		RW		RW		RW		RW		RW		RW		0%		
		70%	50%	30%	10%	70%	50%	30%	10%	50%	30%	10%	30%	30%	10%	10%	30%	10%	10%	0%		
0		119	119	119	119	116	116	116	116	111	111	111	106	106	106	101	101	101	99			
1		108	100	94	90	103	97	92	88	93	89	85	89	85	82	85	82	80	77			
2		94	84	76	69	91	82	75	68	78	72	67	75	70	65	72	67	63	61			
3		85	72	63	55	82	71	62	55	67	60	53	64	58	52	62	56	51	49			
4		77	63	53	45	74	61	52	45	59	51	44	56	49	43	54	48	43	40			
5		70	55	45	38	68	54	45	38	52	43	37	50	42	36	48	41	36	34			
6		64	49	39	32	62	48	39	32	46	38	32	44	37	31	43	36	31	29			
7		59	44	35	28	57	43	34	28	42	34	28	40	33	27	39	32	27	25			
8		55	40	31	25	53	39	31	24	38	30	24	37	29	24	35	29	24	22			
9		51	37	28	22	50	36	28	22	35	27	22	34	26	21	32	26	21	19			
10		48	34	25	20	46	33	25	19	32	24	19	31	24	19	30	24	19	17			

RC - Ceiling Cavity Reflectance RW - Wall Reflectance