

NOMINAL LUMENS	DELIVERED LUMENS	WATTAGE
2500	2447	23 W
2000	2045	18 W
1500	1528	13 W

Based on 4000K, 85+ CRI. Actual wattage may vary +/- 5%

FEATURES

SMART WHITE - Tunable White with Smart White technology allows the tuning of luminaires to mimic the natural color patterns throughout the day, enhancing interior office spaces, hospitality, and architectural elements. The Architectural LED Suspended Linear combines a slim profile with clean lines, delivering a unique 3-sided surface of optimal performance. The flexibility of the luminaire allows for continuous, uniform and glare-free illumination. Available in single pendant or continuous mounting for a seamless connection from luminaire to luminaire, with adjustable mounting heights. This distinct luminaire is a perfect solution for corporate offices, educational, healthcare, commercial, and retail spaces.

LUMENS	1500, 2000, 2500
TUNABLE WHITE PLATFORMS	High Performance: TWH-50K-27K (50K to 27K) High Performance: TWH-65K-27K (65K to 27K)
CRI	90+
COLOR QUALITY	3 Step MacAdam Ellipse
WIDTH	2"
LENGTH	2', 4', 8'
MOUNTING	Suspended or Surface
FINISH	WH (White), BK (Black), SI (Silver), Custom RAL
DIMMING & CONTROL	0-10V Flicker Free 1% Dimming (DIM10), DMX-512/RDM LUTH, DALI
EMERGENCY	10W - Up to 1000L output (Bodine BSL310) 20W - Up to 2000L output (Bodine BSL20)
LIFETIME	L70 at 100,000 Hours
PHOTOMETRIC TESTS	In Accordance with IES LM79-08, LM80 and TM-30, TM-21



OPTICS & PERFORMANCE

Fabricated from 20-gauge aluminum, and post-painted with 95% reflective premium paint. The optical system delivers high efficiency LED light that passes through a high quality acrylic overlay for optimal distribution patterns, creating a glare-free and even distribution.

CONSTRUCTION

One-piece rigid aluminum extrusion, made of T6063-T5 aluminum, with cast aluminum end caps, and post-painted with 95% reflective premium paint. Joiners will accept sterns, single cable, and "Y" cable and power cords.

OPTICAL ASSEMBLY

Reflector is fabricated from 20-gauge aluminum, and post-painted finish with 95% reflective premium paint.

SUPPORT CABLE/FEED

Standard suspension is conductive feed/suspension cable. The adjustable power cable comes in a standard 4' length. A 5-conductor cable is standard or a 6-conductor cable for emergency power. Field adjustable length. Max. support every 8 feet.

CRM INSTALLATION

For continuous row mounting, the first luminaire in the row will always be the power supply feed. After plugging in the male and female harnesses, which are supplied with each luminaire, they will easily slide together, then secured with two screws from opposite directions in the connecting brackets.

DRIVER ELECTRICAL INFORMATION

Powered by high-quality constant-current power LED drivers which are rated for 50 to 60Hz at 120-277V input, produce less than 20% THD, and have a power factor of .90 to 1.00. Male and female 18-gauge 6 wire plug connectors are included with every luminaire to allow for simple hassle-free continuous wiring. Each luminaire must be installed male to female.

DIMMING & DRIVER INFORMATION

SMART WHITE High Performance platform with a tuning range of 5000K to 2700K (TWH-50K-27K) and 6500K to 2700K (TWH-65K-27K). Control via DIM10 (0-10V), ELITE-CONNECT 0-10V, LUTRON, DMX512-RDM, DALI

DRIVER ELECTRICAL INFORMATION

Powered by high-quality constant-current power LED drivers which are rated for 50 to 60Hz at 120-277V input, produce less than 20% THD, and have a power factor of .90 to 1.00.

OPTIONS

Luminaires can be shipped pre-installed with whips, modular wiring systems, daylight harvesting controls, occupancy sensors, and/or power packs for individual or room control solutions.

WARRANTY

Five-year warranty for parts and components. (Labor not included)

LISTINGS

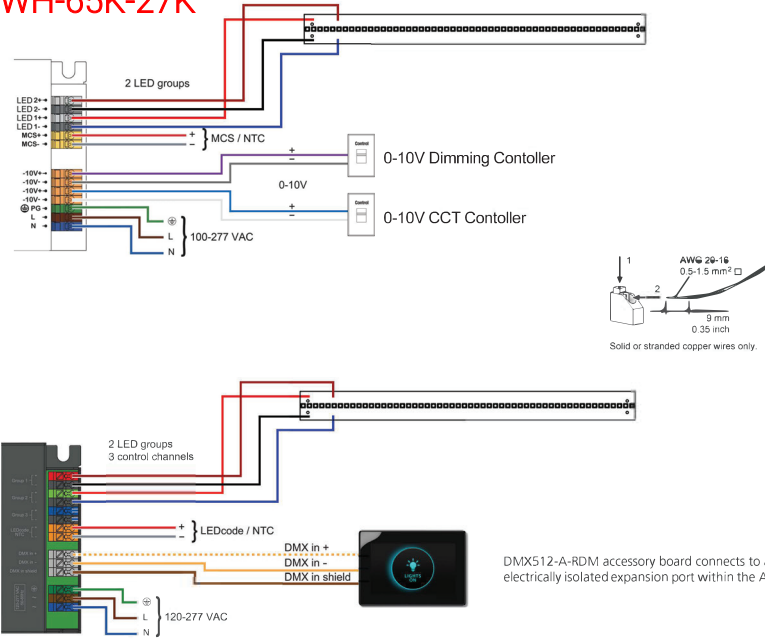
c-UL-us - Listed for Feed Through Wiring.



Example: **2-SLEEK-S-LED-TWH-50K-27K-1500L-DIM10-MVOLT-90**

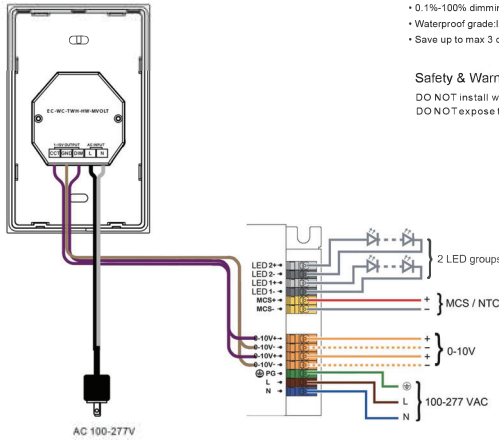
2	SLEEK-S	LED							
FIXTURE SIZE	SERIES	TYPE	PLATFORM	LUMENS	DIMMING	VOLTAGE	CRI	EMERGENCY	MOUNTING
2 -2'	SLEEK-S - Round Pendant LED Linear	LED	ELITE PLATFORM TWH-50K-27K TWH-65K-27K	2' 1500L - 1500 lumens 2000L - 2000 lumens 2500L - 2500 lumens	ELITE PLATFORM DIM10 - 0-10V Dimming ELDODMX.1 - ELDODMX ELDODALI - ELDODALI TYPE 8 LUTH - Lutron T-Series	MVOLT	90	0-EMG-LED-10W 0-EMG-LED-20W	CRM - Continuous Row Mounting *18AWG harness, Max amperage 6 amps (NEC Code 402.5)

**TWH-50K-27K
TWH-65K-27K**



TWH Controller EC-WC-TWH-HW-MVOLT

Wiring Diagram:



- 100-277VAC input.
- Touch slide tunable white and brightness control.
- 2 channels 1-10V signal output.
- 0.1%-100% dimming.
- Waterproof grade:IP20.
- Save up to max 3 different colors.

Safety & Warnings:
DO NOT install with power applied to device.
DO NOT expose the device to moisture.

Output Signal	2x(1-10V) signal
Power Supply	100-277VAC
Power consumption	30 mA max
Operating temperature	0-40°C
Relative humidity	8% to 80%
Dimensions	75x120x40.8mm

