

FEATURES

The Architectural LED Suspended Linear combines a slim profile with clean lines, making it an ideal choice for library stacks or narrow aisles. The flexibility of the luminaire allows for continuous, uniform and glare-free illumination. Available in single pendant or continuous mounting for a seamless connection from luminaire to luminaire, with adjustable mounting heights. This distinct luminaire is a perfect solution for educational, healthcare, office, commercial and retail spaces.

LUMENS	3000, 4000, 5000
CCT	30K, 35K, 40K, 50K
CRI	85+(standard), 90+
COLOR QUALITY	3 Step MacAdam Ellipse
LENGTH	2', 4', 8'
MOUNTING	Suspended or Surface
DIMMING & CONTROL	0-10V Flicker Free 1% Dimming Standard (DIM10), LUTH, LUT2W, DIMST, ELDO10.1, ELDODMX.1, DALI.1
EMERGENCY	10W - Up to 1000L output
LIFETIME	L70 at 167,000 Hours
OPERATING TEMPERATURE	-20° C to 50°C ambient temperature
PHOTOMETRIC TESTS	In Accordance with IES LM79-08, LM80 and TM-30, TM-21

NOMINAL LUMENS	DELIVERED LUMENS	WATTAGE
5000	5020	37 W
4000	3596	27 W
3000	3176	23 W

Based on 4000K, 90+ CRI. Actual wattage may vary +/- 5%



OPTICS & PERFORMANCE

The optical system delivers high efficiency LED light that passes through a high quality, frosted acrylic lens for optimal performance, creating a glare-free and even distribution.

CONSTRUCTION

Body is constructed of heavy-duty 20-gauge cold rolled steel, painted with a high-gloss baked white enamel finish, with a frosted extruded lens that delivers highly efficient illumination.

CRM INSTALLATION

For continuous row mounting, the first luminaire in the row will always be the power supply feed. After plugging in the male and female harnesses, which are supplied with each luminaire, they will easily slide together, then secured with two screws from opposite directions in the connecting brackets.

DRIVER ELECTRICAL INFORMATION

Powered by high-quality constant-current power LED drivers which are rated for 50 to 60Hz at 120-277V input, produce less than 20% THD, and have a power factor of .90 to 1.00. Male and female 18-gauge 6 wire plug connectors are included with every luminaire to allow for simple hassle-free continuous wiring. Each luminaire must be installed male to female.

OPTIONS

Luminaires can be shipped pre-installed with daylight harvesting controls, occupancy sensors, and/or power packs for individual or room control solutions.

DIMMING & DRIVER INFORMATION

DIM10 - Flicker Free 1% Dimming Standard (DIM10) 0-10V dimming on either MVOLT 120, 277 or 347V.

LUT2W - Lutron LTEA2W Hi-Lume 1%. 2-wire LED driver (120V forward phase only).

LUTH - Lutron LDE1 Hi-Lume 1% EcoSystem LED driver with Soft-on, Fade-to-Black dimming technology.

ELDO10.1 - EldoLED SoloDrive 0-10V. Dimming down to 0.1%.

DALI - DALI DT6, DT8 dimming down to 1%.

ELDODMX - EldoLED PowerDrive dimming down to 0.1%.

Please see EldoLED website for wiring diagrams and a list of compatible DMX and DALI control systems.

DIMST - Step Dimming

WARRANTY

Five-year warranty for parts and components. (Labor not included)

LISTINGS

c-UL-us - Listed for Feed Through Wiring.

Listed for DLC, California Title 24 compliant.

c-UL us Listed for Damp location

Product not allowed to be in direct contact with water, sprinkler or rain

Example: **2-OC1-LED-3000L-DIM10-MVOLT-40K-85**

FIXTURE SIZE	SERIES	TYPE	LUMENS	DIMMING	VOLTAGE	CCT	CRI	EMERGENCY	MOUNTING	WIRING OPTIONS	OTHER OPTIONS	CONTROLS
2 - 2'	OC1 - LED General Linear	LED	3000L - 3000 lumens 4000L - 4000 lumens 5000L - 5000 lumens	DIM10 - 0-10V Dimming *DIMST - Step Dimming *LUTH - Lutron HiLume *LUT2W - Lutron 2Wire ELDO10.1 - EldoLED 0-10V ELDODALI.1 - EldoLED DALI ELDODMX.1 - EldoLED DMX	MVOLT 120 277 347*	30K 35K 40K 50K	85 90	0-EMG-LED-10W	CRM - Continuous Row Mounting	FBF - Internal Fast Blow Fuse SBF - Internal Slow Blow Fuse RIS - Radio Interference Suppressor	OCGSS - Cable Gripper Suspension Kit OCVH - V Hook WG - WireGuard USA - Made in America Compliance S05 - Power cord with 5 conductors for 0-10v dimming fixtures S06 - Power cord with 6 conductions for 0-10V dimming and with emergency	OSFHU-LTW - ON/OFF Line Voltage HB011-PDX - Occupancy Sensor with 0-10V Dimming FSP-221 - Occupancy/Daylight Sensor with 0-10V Dimming
												OSM3D-V1W - Line Voltage Microwave Sensor OSM3D-DDW-20 - HF Microwave Sensor 0-10 20% Dim OSM3D-DDW-50 - HF Microwave Sensor 0-10 50% Dim FS-205 - Low Voltage Pir Fixture Integratedded Occupancy Sensor FD-301 - Low VolatgeDaylight Dimming Photosensor FS-PPV2 - Fixture Sensor Power Pack

LUT2W are available in 120V only LUT2W up to 4000L

LUTH, ELDO10.1, ELDODALI.1, and ELDODMX.1 are available in 120V and 277V

-Reference last page for Control Options

*FD-301 & FS-205 require FS-PPV2- Power Pack

2-OC1-LED-3000L-DIM10-MVOLT-40K-85

TEST NO.: EL111836

INPUT WATTS: 23.2 LUMENS: 3176 CRI: 85 EFFICACY: 137 CCT: 4000K SPACING CRITERIA: 1.38

Candle Power Distribution (Candelas)

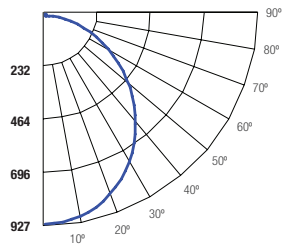


Table titled 'Cone of Light' showing beam diameter, distance to plane, and beam diameter at 50% of nadir F.C. for various distances.

Zonal Lumens Summary

Zonal Lumens Summary table with columns: Zone, Lumens, %Lamp, %Fixt.

Luminance (Average candela/M²)

Luminance table with columns: Angle in Degrees, Average 0°, Average 45°, Average 90°.

Lumens Per Zone

Lumens Per Zone table with columns: Zone, Lumens.

Candela Tabulation

Candela Tabulation table with columns: 0, 5, 15, 25, 35, 45, 55, 65, 75, 85, 90.

Coefficients of Utilization - Zonal Cavity Method

Effective Floor Cavity Reflectance 0.20

Large table for Coefficients of Utilization with columns: RC, RW, 70%, 50%, 30%, 10%, 0%.

RC - Ceiling Cavity Reflectance

RW - Wall Reflectance

2-OC1-LED-4000L-DIM10-MVOLT-40K-85

TEST NO.: EL111842

INPUT WATTS: 27.1 LUMENS: 3596 CRI: 85 EFFICACY: 133 CCT: 4000K SPACING CRITERIA: 1.40

Candle Power Distribution (Candelas)

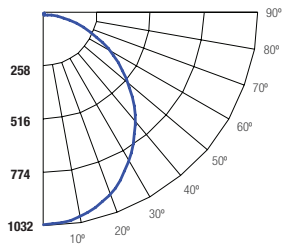


Table titled 'Cone of Light' showing beam diameter, distance to plane, and beam diameter at 50% of nadir F.C. for various distances.

Zonal Lumens Summary

Zonal Lumens Summary table with columns: Zone, Lumens, %Lamp, %Fixt.

Luminance (Average candela/M²)

Luminance table with columns: Angle in Degrees, Average 0°, Average 45°, Average 90°.

Lumens Per Zone

Lumens Per Zone table with columns: Zone, Lumens.

Candela Tabulation

Candela Tabulation table with columns: 0, 5, 15, 25, 35, 45, 55, 65, 75, 85, 90.

Coefficients of Utilization - Zonal Cavity Method

Effective Floor Cavity Reflectance 0.20

Large table for Coefficients of Utilization with columns: RC, RW, 70%, 50%, 30%, 10%, 0%.

RC - Ceiling Cavity Reflectance

RW - Wall Reflectance

2-OC1-LED-5000L-DIM10-MVOLT-40K-85

TEST NO.: EL111838

INPUT WATTS: 37.1 LUMENS: 5020 CRI: 85 EFFICACY: 135 CCT: 4000K SPACING CRITERIA: 1.40

Candle Power Distribution (Candelas)

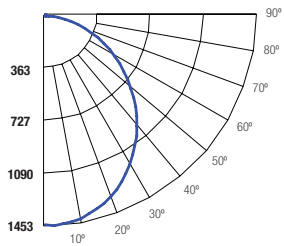


Table titled 'Cone of Light' showing beam diameter, distance to plane, and beam diameter at 50% of nadir F.C. for various distances.

Zonal Lumens Summary

Zonal Lumens Summary table with columns: Zone, Lumens, %Lamp, %Fixt.

Luminance (Average candela/M²)

Luminance table with columns: Angle in Degrees, Average 0°, Average 45°, Average 90°.

Lumens Per Zone

Lumens Per Zone table with columns: Zone, Lumens.

Candela Tabulation

Candela Tabulation table with columns: 0, 5, 15, 25, 35, 45, 55, 65, 75, 85, 90.

Coefficients of Utilization - Zonal Cavity Method

Effective Floor Cavity Reflectance 0.20

Large table for Coefficients of Utilization with columns: RC, RW, 70%, 50%, 30%, 10%, 0%.

RC - Ceiling Cavity Reflectance

RW - Wall Reflectance

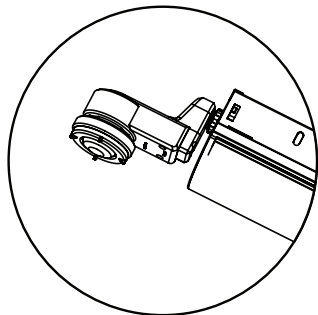
INTEGRATED SENSOR AND CONTROL OPTIONS

With the Integration of controls, Elite Lighting now offers its products with controls-ready performance that increases energy efficiency, smarter space planning, and the enhancement of safety and productivity in the workplace. By utilizing these controls, Elite Lighting luminaires enable your customer's facility to run smarter, with the use of an easily controlled system through any platform.

Luminaire will be shipped with Powerpacks pre-installed, ready to be Integrated to designated control systems
 Luminaire will be shipped with Sensors installed on the luminaire, allowing for individual luminaire control. Luminaires will be ready to be Integrated with designated control systems
 Luminaire will be shipped with Sensors to be remotely installed on the ceiling. Luminaires will be ready to be Integrated with designated control systems

BRAND	LEVITON	legrand
MICROWAVE INTEGRATED SENSOR	<input type="checkbox"/> OSM3D-DDW High Frequency Microwave Occupancy Sensor with 0-10V Dimming	
	<input type="checkbox"/> OSM3D-V1W Line Voltage Microwave Sensor	
PIR INTEGRATED SENSOR	<input type="checkbox"/> OSFHU-LTW PIR Fixture Mount Occupancy Sensor with Daylight	<input type="checkbox"/> FS-205 Low Voltage Pir Fixture Integrated Occupancy Sensor
	<input type="checkbox"/> HB011-PDX PIR Fixture Mount Occupancy Sensor with Daylight Harvesting with 0-10V dimming	<input type="checkbox"/> FSP-221 Fixture Mount PIR Occupancy Sensor with Daylight Harvesting with 0-10V
		<input type="checkbox"/> FD-301 Low Voltage Daylight Dimming Photosensor

SIDE MOUNT



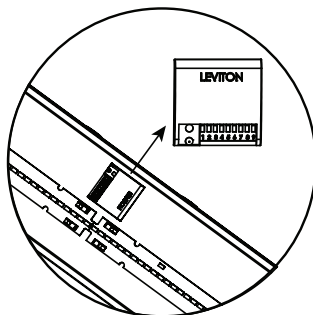
LEGRAND

FSP-221
Fixture Mount PIR Occupancy Sensor with Daylight Harvesting with 0-10V

LEVITON

HB011-PDX
PIR Fixture Mount Occupancy Sensor with Daylight Harvesting
 OSFHU-LTW
PIR Fixture Mount Occupancy Sensor

IntegratedED



LEGRAND

FS-205
Low Voltage Pir Fixture Integrated Occupancy Sensor
 FD-301
Low Voltage Daylight Dimming Photosensor

LEVITON

OSM3D-DDW
High Frequency Microwave Occupancy Sensor with 0-10V Dimming
 OSM3D-V1W
High Frequency Microwave Occupancy Sensor