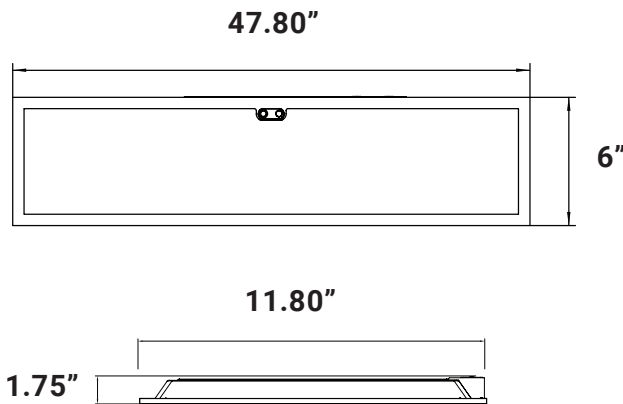




FEATURES

The clean design of the FPL-BL provides a modern alternative to traditional fluorescent troffers. Available in 1x4', 2x2', and 2x4'. Backlit design delivers unmatched uniform light distribution. Easily adjust output and color temperature in the field wirelessly through the app. Brighter, volumetric illumination makes this troffer retrofit kit ideal for offices, hallways, conference rooms, warehouses, gymnasiums, retail, hospitality, commercial, and healthcare applications.

LUMENS	Wireless Adjustable up to 4000L
CCT	Wireless Selectable 30K, 35K, 40K, 50K
CRI	85+ (Standard)
COLOR QUALITY	3-Step MacAdam Ellipse
LENGTHS	2 x 2', 2 x 4', 1 x 4'
MOUNTING	Recessed, Surface
DIMMING & CONTROL	Wireless Bluetooth Mesh Lighting Control
EMERGENCY	10W - Up to 1500L output, 20W - Up to 3000L output
LIFETIME	L70 at 60,000 Hours
OPERATING TEMPERATURE	-20° C to 50° C Ambient Temperature
PHOTOMETRIC TESTS	In Accordance with IES LM79-08, LM80 and TM-30, TM-21



Nominal Lumens	Delivered Lumens	Wattage
4000	4480	40W

Based on 4000K, 90+ CRI. Actual wattage may vary +/- 5%



OPTICS & PERFORMANCE

Optical system delivers high-efficiency LED light that passes through a premium quality, diffused acrylic lens for optimal performance, creating glare-free and even distribution.

CONSTRUCTION

Constructed of heavy-duty 20-gauge cold-rolled steel, painted with a high-gloss baked white enamel finish, with a diffused acrylic lens.

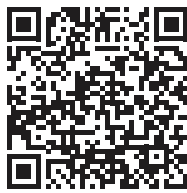
INSTALLATION

Access wiring from the top and side during installation without removing the lens and module-board.

DRIVER ELECTRICAL INFORMATION

Powered by constant-current LED drivers that are rated 50 to 60Hz at 120-277V input, produce less than 20% THD, and have a power factor of .90 to 1.00.

SCAN TO DOWNLOAD THE APP



DIMMING AND CONTROL

2.4GHz wireless mesh technology with AES 128-bit encryption lighting control can connect 100 devices per group. With a max distance of 98 feet in line barriers or corners. Luminaires work with wireless or embedded switch. System control is achieved by a Bluetooth mesh network, thus no need for Routers and Gateways. Luminaires can be shipped pre-installed with daylight harvesting controls, occupancy sensors, and/or power packs for individual or room lighting control.

Bluetooth Mesh

The system control is achieved by a Bluetooth mesh network, eliminating the need for routers and gateways.

Energy-Saving

Light output is automatically set by the system based on the user's requirement.

Comfort

Light output will automatically change based on the variation of indoor light luminance.

Convenience

Illumination mode can be achieved with a push of a button.

CONTROL AND SENSOR

Luminaires are shipped with pre-installed daylight harvesting controls and occupancy sensors for individual or room lighting control.

WARRANTY

Five-year warranty for parts and components. Labor not included.

LISTINGS

c-UL-us - Listed for Feed Through Wiring.
UL 8750 LED equipment in Lighting Products
All LED luminaires are rated and tested to LM-79 and LM-80 standards by Elite Lighting. Listed for DLC, California Title 24 compliant.

EXAMPLE: 14-FPL-BL-BLE-MS-LED-4000L-MVOLT-30K35K40K50K-85

FIXTURE SIZE	SERIES	TYPE	LUMENS	VOLTAGE	CCT	CRI	EMERGENCY	OTHER	ACCESSORIES
14	FPL-BL	BLE-MS-LED	4000L	MVOLT	30/35/40/50K	85	O-EMG-LED-10W O-EMG-LED-20W	OTHER OPTIONS	ACCESSORIES

- FBF**
Internal Fast
Blow Fuse IntelliCast Face Plates
- SBF**
Internal Slow
Blow Fuse IC-BLE-SW3-MVOLT-WH (IntelliCast Technology Wireless Battery Powered 3 Button Switch)
- IC-BLE-SW5-MVOLT-WH (IntelliCast Technology Wireless Battery Powered 5 Button Switch)**
- IC-BLE-SW7-MVOLT-WH (IntelliCast Technology Retrofit 7 Button Switch)**
- 14 FK**
1x4' Flange Kit IntelliCast Zone Controller
- 14-FPL1-LED-SMK**
Surface Mount Kit

THE APP

The IntelliCast app by Elite Lighting allows validated end users (electrical contractors, sales agents, or facility maintenance professionals) to startup, configure, and troubleshoot wirelessly from a compatible smart phone or tablet.

The mobile app is optimized for efficient on-site startup and maintenance. It allows end-users to easily modify the settings and operation of fixtures, sensors, and wall switches in a group to meet energy code requirements. For larger installations, multiple users may use the mobile app simultaneously to reduce on-site time.

BENEFITS

- Complete control for applications using this room-based system
- Bluetooth-enabled app for iOS and Android devices
- Auto configuration and plug-n-play connectivity for simplified installation
- Intuitive interface and user-friendly wall stations for precise control

MAKE COMMISSIONING OF YOUR LIGHTING EASY



Add Luminaires	Create Groups	Switches	Scenes	QR Codes	More Settings
<ul style="list-style-type: none"> • Add/ Delete • Individual Dimming • CCT Adjustable • 100 Luminaires per Group, 30 Groups Max 	<ul style="list-style-type: none"> • Select Individual Lights • Add to Group • Link Groups • Delete Groups • Group Settings <ul style="list-style-type: none"> • Auto Settings • Motion Sensor • Daylight Harvesting • Time Delay • Program Presets 	<ul style="list-style-type: none"> • Pair App to Switch • Three Types of Switches • Switch will Provide Options 	<ul style="list-style-type: none"> • Create / Edit Scenes • Modify Presets 	<ul style="list-style-type: none"> • Gain Admin Access • Gain User Access • Share Codes 	<ul style="list-style-type: none"> • Create Schedules • Find QR Codes • Circadian Rhythm Settings • Luminaire Information • Converter & Sensor Info • Nearby Lights • Function Testing • Auto Calibration • Trim Settings • Bluetooth Radio Settings • App Version Info