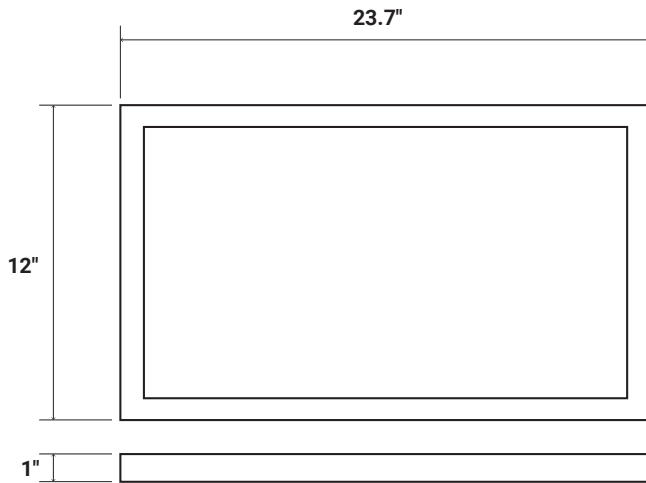




EASY 5 COLORS
SELECTOR



NOMINAL LUMENS	DELIVERED LUMENS	WATTAGE
3300	3301	30W
2800	2803	25W

Based on 4000K, 85+ CRI. Actual wattage may vary +/- 5%

FEATURES

RADIANT ILLUMINATION FOR LOW PLENUM SPACES
This edge-lit LED flat panel delivers efficient, radiant illumination while optimizing shallow plenum spaces. Available with various dimming, multi-lumen, and multi-CCT options, and ready for surface mounted installations. Ideal for retail and commercial office spaces, as well as educational, and healthcare facilities. Available in 1x1 ft, 1x2 ft, 1x4 ft, 2x2 ft, and 2x4 ft sizes.

LUMENS	2800L/3300L
CCT	27K/30K/35K/40K/50K
CRI	85
COLOR QUALITY	3 Step MacAdam Ellipse
MOUNTING	Ceiling Mount
DIMMING & CONTROL	DIMTR/120-DIM10/MVOLT
EMERGENCY	25W High Voltage Inverter (Remote)
WORKING TEMPERATURE	-40°C (-40°F) to +40°C (+104°F)
LIFETIME	L70 at 60,000H
PHOTOMETRIC TESTS	In accordance with IES LM79-08, LM80 and TM-30, TM-21



OPTICAL SYSTEM

Features a frosted polycarbonate lens and a combination of reflective and refractive optical components to achieve a uniform beam diffusion. Use of a light guide plate creates even, glare-free illumination, while maintaining high efficiency.

Luminaire available in selectable lumens of 2800L/3300L. Five selectable color temperatures of 27K/30K/35K/40K/50K allow for versatile across different warm to cool moods and atmospheres.

Lumen factory set to 3300L. CCT factory set to 50K.

CONSTRUCTION

Frame built from a lightweight aluminum with a heavy duty 20-gauge cold rolled steel back panel. Post-painted and engineered for maximum strength and extended life. All corners interlock to prevent aesthetic damage to the luminaire, with sides and corners uniformly turned in and hemmed to remove sharp edges for safe handling and easy installation.

Post-painted with a 93% reflective white coat to improve luminaire efficacy.

MOUNTING

Suitable for surface mounting. Can be attached to the ceiling by attaching the J-box on the back of the luminaire into the mounting plate.

MAINTENANCE

Luminaire can be regularly and safely wiped down to ensure optimal performance. Easy plug-in connectors (included) for easy replacement or servicing.

OPTIONS & ACCESSORIES

Plug-in connectors and surface mounting plate included. A 25W remote emergency battery back-up option available to order separately.

DRIVER & ELECTRICAL INFORMATION

Powered by high-quality constant-current LED drivers which are rated for 50 to 60Hz at 120/277v input. Produce less than 20% THD, and have a power factor of .90 to 1.00.

DIMMING

DIMTR - Triac & Electronic low voltage dimming. Available in 120V only.

DIM10 - 0-10V dimming. Available in MVOLT.

WARRANTY

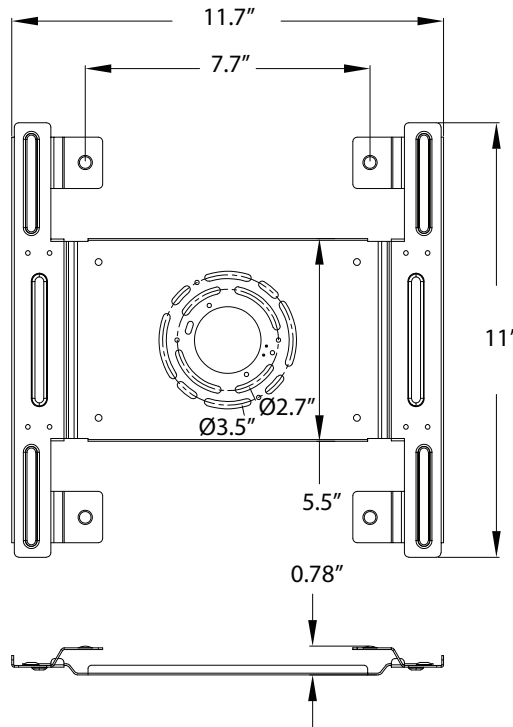
5-year warranty for parts and components (labor not included).

LISTINGS

ETL - Listed for Feed Through Wiring.

DLC listed.

SURFACE MOUNT PLATE



Example: **12-FPL1-SM-LED-2800L/3300L-DIMTR/120-DIM10/MVOLT-27K/30K/35K/40K/50K-85**

12	FPL1-SM	LED					
TYPE	SERIES	TYPE	LUMENS	DIMMING/VOLTAGE	CCT	CRI	EMERGENCY
12-1'X2'	FPL1-SM	LED	2800L/3300L	DIMTR/120-DIM10/MVOLT	27K/30K/35K/40K/50K	85	EMG-LED-G4-120-347V-CP-16W-HV-FLEX EMG-LED-G4-120-347V-CP-25W-HV-FLEX

1'X2' FPL1-SM
Surface Mount Flat Panel