

Catalog Number:

Job Name:

Type:

Linear LED High Performance Indoor Wall Grazer Luminaire



Description

LumenSense wall wash graze luminaires offer a high efficacy alternative to traditional fixtures, with multiple color temperatures and beam angles available.

Its small profile, adjustable base and continuous run connectors make it easy to install in a variety of applications.

Features

- Up to 1000+ lumens per foot
- Proprietary optical technology
- Up to 100+ lumens per watt
- Proprietary adjustable mounting bracket
- Small profile fixture
- Continuous run capability
- RGB+W options available

Applications

- Facade wall washing
- Shopping mall / recreational facility
- Bridge / linear structure
- Signage

Listing

ETL listed for damp location

Warranty

5-year limited warranty



DIMMABLE

| Performance | CCT (K) | Optics | Lumen Output | Efficacy (lm/w) |
|------------------------------|---|-----------|---|-----------------|
| | 2700K | 10° X 10° | 1015 lm/lf | 85 lm/w |
| | 3000K | 10° X 10° | 1026 lm/lf | 86 lm/w |
| | 3500K | 10° X 10° | 1038 lm/lf | 87 lm/w |
| | 4000K | 10° X 10° | 1045 lm/lf | 88 lm/w |
| Power Consumption | Typical Wattage: 11W (1ft) / 47W (4ft) (Typical input power range allows for a +/- 10% variation of all components)* | | Maximum Wattage: 13W (1ft) / 52W (4ft) (All fixtures are labeled with maximum wattage) | |
| Maximum Run Length | 48' / (14.5m) (Maximum run length is based on measurements of 12" and 48" fixtures) (Maximum run capacity of 600W or limitations of dimmer control) | | | |
| Operating Voltage | 110-277VAC, 50/60 Hz (all voltages) | | | |
| Driver | Integral to fixture | | | |
| Startup Temperature | 14°F to 104°F (-10°C to 40°C) | | | |
| Operating Temperature | 14°F to 104°F (-10°C to 40°C) | | | |
| Storage Temperature | -40°F to 176°F (-40°C to 80°C) | | | |
| Dimming | DIM10 (0-10V Dimming) | | | |
| Dimension | With Mounting Bracket: W 2.0" x H 2.3" x L 12"/48" (50.80mm x 58.42mm x 305mm/1219mm) | | Without Mounting Bracket: W 1.4" x H 1.9" x L 12"/48" (35.56mm x 48.26mm x 305mm/1219mm) | |
| Housing | Advanced thermal regulating aluminum design | | | |
| Lens | Clear Polycarbonate Enhanced With OFD Technology | | | |
| Connectors | Integral Male / Female 5Pin | | | |
| Environment | Indoor: Certified Dry / Damp Location | | | |
| Distribution | 10° x 10° / 10° x 60° / 30° x 60° | | | |
| Mounting Options | Proprietary Adjustable: 80° + 80° | | | |

Catalog Number:

Job Name:

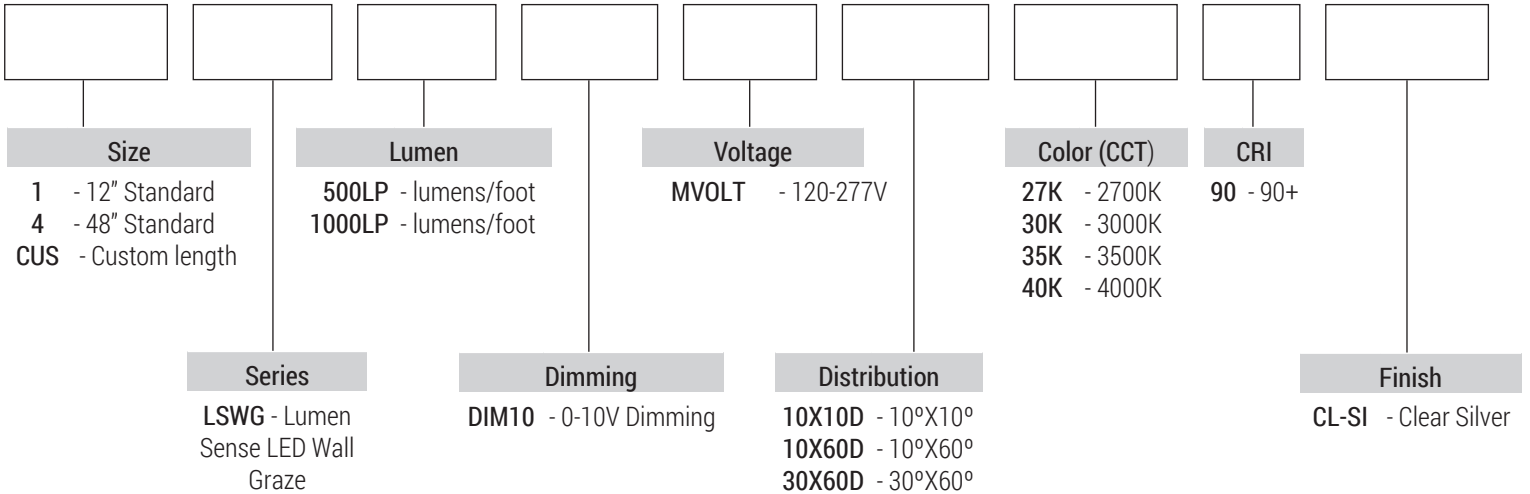
Type:

Linear LED High Performance Indoor Wall Grazer Luminaire

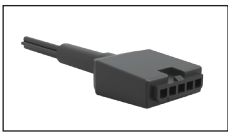
Ordering Guide

(Choose the option that best suits your need and write its corresponding part number on the appropriate box to form the complete part number)

Example: **1-LSWG-1000LP-DIM10-120-10X10D-30K-90-CL-SI**



WIRING OPTIONS



Leader Cable (LC)

Leader Cable (Live End Wiring)

LS-HW-DIM10 5-pin leader cable, 10ft



Jumper Cable (JC)

Jumper Cable

LS-COUP-DIM10 5-pin jumper cable, 1ft

TERMINATOR



End Cap

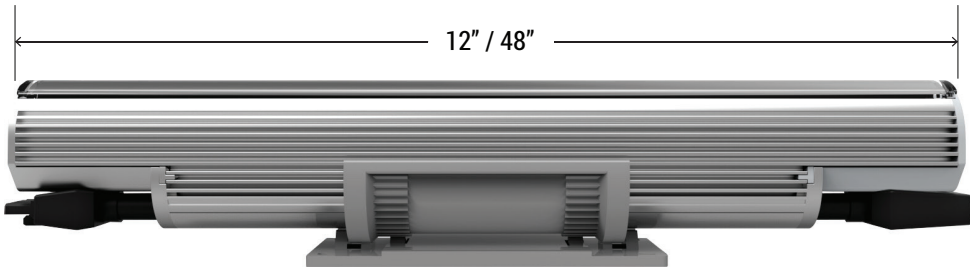
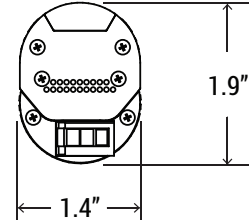
EC-DIM10 - 5-pin for 0-10V dimming

Linear LED High Performance Indoor Wall Grazer Luminaire

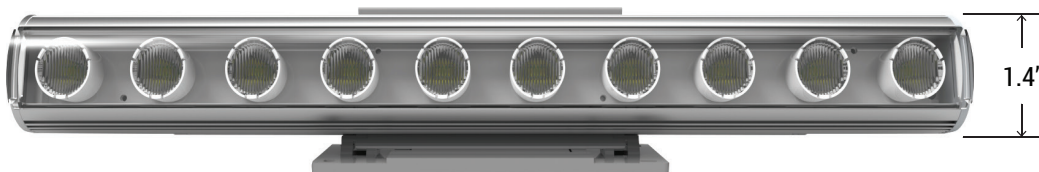
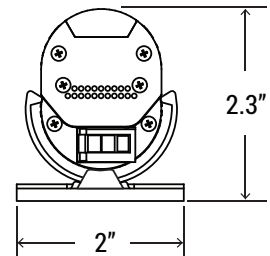
Dimensions (For complete dimensions and submittal drawings, please consult factory for more information)



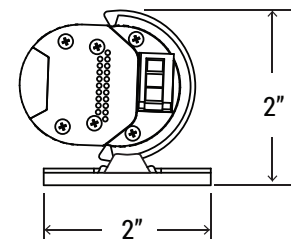
Side View (No Mounting)



Side View (With Mounting)

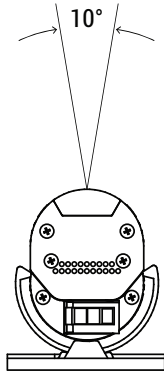


Top View (With Mounting)

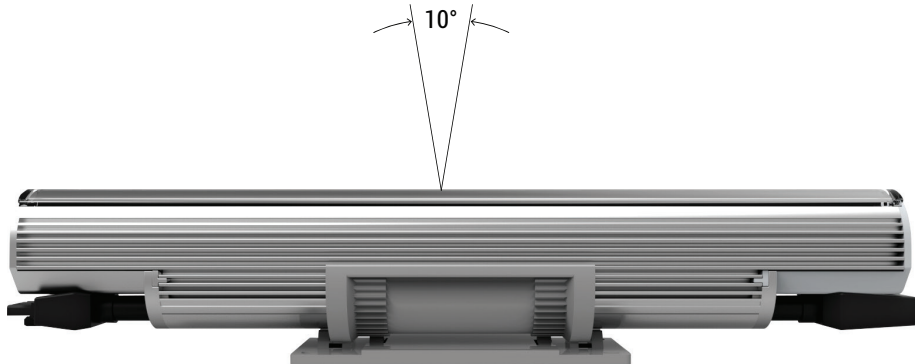


Linear LED High Performance Indoor Wall Grazer Luminaire

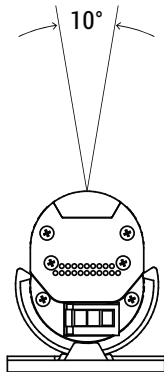
Distributions



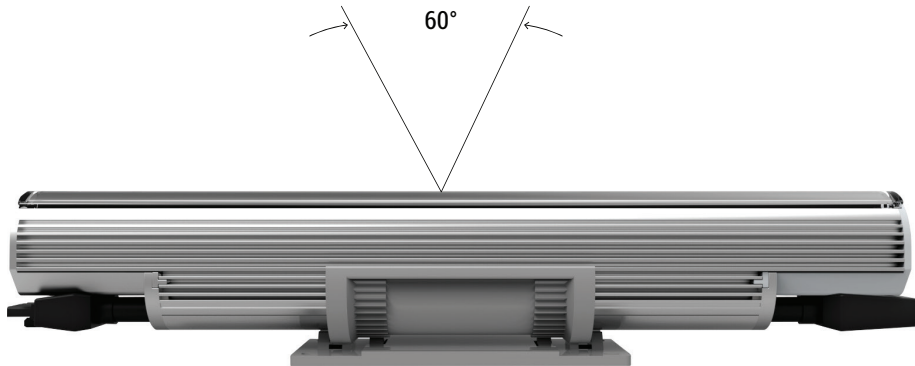
10° X 10°



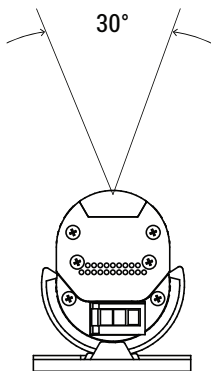
10° X 10°



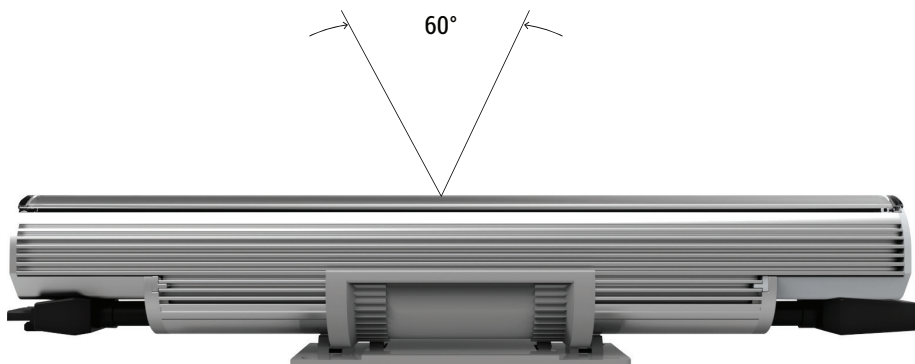
10° X 60°



10° X 60°



30° X 60°



30° X 60°

Catalog Number:

Job Name:

Type:

Linear LED High Performance Indoor Wall Grazer Luminaire

Photometry (For complete list of IES files, please consult factory for more information)

1-LSWG-1000LP-DIM10-MVOLT-30X60D-30K-90-CL-SI

TEST NO.: **EL07232058**

INPUT WATTS: **13.8**

LUMENS: **1161**

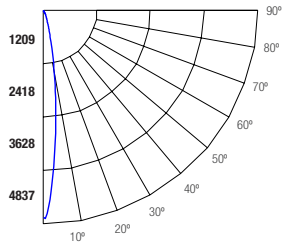
CRI: **90**

EFFICACY: **84**

CCT: **3000K**

SPACING CRITERIA: **0.38**

Candle Power Distribution (Candelas)



Zonal Lumens Summary

| Zone | Lumens | %Lamp | %Fixt |
|------|---------|-------|-------|
| 0-20 | 739.61 | 63.70 | 63.70 |
| 0-30 | 945.35 | 81.40 | 81.40 |
| 0-40 | 1035.81 | 89.20 | 89.20 |
| 0-60 | 1115.73 | 96.10 | 96.10 |
| 0-80 | 1141.68 | 98.30 | 98.30 |
| 0-90 | 1143.6 | 98.50 | 98.50 |

Luminance (Average candela/M²)

| Angle in Degrees | Average 0° | Average 45° | Average 90° |
|------------------|------------|-------------|-------------|
| 45 | 6313 | 7782 | 15596 |
| 55 | 4668 | 6481 | 7769 |
| 65 | 2898 | 4646 | 5781 |
| 75 | 889 | 2518 | 4645 |
| 85 | 1222 | 2024 | 3319 |

Lumens Per Zone

| Zone | Lumens |
|-------|--------|
| 0-10 | 326.43 |
| 10-20 | 413.18 |
| 20-30 | 205.74 |
| 30-40 | 90.45 |
| 40-50 | 48.80 |
| 50-60 | 31.12 |
| 60-70 | 18.34 |
| 70-80 | 7.61 |
| 80-90 | 1.92 |

Candela Tabulation

| 0 | |
|------|----------|
| 0.0 | 4685.698 |
| 5.0 | 3155.150 |
| 15.0 | 653.270 |
| 25.0 | 156.290 |
| 35.0 | 73.680 |
| 45.0 | 41.510 |
| 55.0 | 24.900 |
| 65.0 | 11.390 |
| 75.0 | 2.140 |
| 85.0 | 0.990 |
| 90.0 | 0.980 |

Coefficients of Utilization - Zonal Cavity Method

Effective Floor Cavity Reflectance 0.20

| RC RW | 80% | | | | 70% | | | | 50% | | | 30% | | | 10% | | | 0% |
|----------|-----|-----|-----|-----|-----|-----|-----|-----|-----|-----|-----|-----|-----|-----|-----|-----|-----|----|
| | 70% | 50% | 30% | 10% | 70% | 50% | 30% | 10% | 50% | 30% | 10% | 50% | 30% | 10% | 50% | 30% | 10% | 0% |
| 0 | 119 | 119 | 119 | 119 | 116 | 116 | 116 | 116 | 110 | 110 | 110 | 105 | 105 | 105 | 101 | 101 | 101 | 99 |
| 1 | 114 | 111 | 109 | 107 | 111 | 109 | 107 | 105 | 105 | 103 | 101 | 101 | 99 | 98 | 97 | 96 | 95 | 93 |
| 2 | 109 | 104 | 101 | 98 | 107 | 103 | 99 | 97 | 99 | 97 | 94 | 96 | 94 | 92 | 93 | 91 | 90 | 88 |
| 3 | 104 | 99 | 94 | 91 | 102 | 97 | 93 | 90 | 94 | 91 | 88 | 92 | 89 | 87 | 89 | 87 | 85 | 84 |
| 4 | 100 | 94 | 89 | 85 | 98 | 92 | 88 | 85 | 90 | 86 | 83 | 88 | 85 | 82 | 86 | 83 | 81 | 80 |
| 5 | 96 | 89 | 84 | 80 | 95 | 88 | 83 | 80 | 86 | 82 | 79 | 84 | 81 | 78 | 83 | 80 | 78 | 76 |
| 6 | 93 | 85 | 80 | 76 | 91 | 84 | 80 | 76 | 83 | 79 | 76 | 81 | 78 | 75 | 80 | 77 | 74 | 73 |
| 7 | 89 | 82 | 77 | 73 | 88 | 81 | 76 | 73 | 80 | 75 | 72 | 78 | 75 | 72 | 77 | 74 | 71 | 70 |
| 8 | 86 | 78 | 73 | 70 | 85 | 78 | 73 | 70 | 77 | 72 | 69 | 76 | 72 | 69 | 75 | 71 | 69 | 68 |
| 9 | 83 | 75 | 71 | 67 | 82 | 75 | 70 | 67 | 74 | 70 | 67 | 73 | 69 | 67 | 72 | 69 | 66 | 65 |
| 10 | 81 | 73 | 68 | 65 | 80 | 72 | 68 | 65 | 72 | 67 | 65 | 71 | 67 | 64 | 70 | 67 | 64 | 63 |

RC - Ceiling Cavity Reflectance