

RL841

8" LED RETROFIT BAFFLE LIGHTING MODULE WITH JUNCTION BOX



CRI 90+

COLOR QUALITY 3-Step MacAdam Ellipses

LUMEN OUTPUT 2500 Lumens

LUMEN PER WATT Up to 80

CCT 30K, 35K, 40K, 50K

WARRANTY 5 Years

CERTIFICATIONS

- RoHS
- IECC

- New York state
- ETL/cETL Listed for Wet Location

- California Title 24
- Washington state
- LM79/LM80

UNIQUELY ENGINEERED FOR NEW AND EXISTING CONSTRUCTION

The RL841 is the newest, most efficient, and advanced LED retrofit modules from ELITE Lighting. It's unique design delivers color quality above a 90 CRI rating. The color matching has never been so close, with a binning as low as 3 MacAdams ellipses. The RL841 LED retrofits meet all new mandatory California Title 24 requirements.

FEATURES

- Over 2500 usable lumens are directed from the luminaire to the work surface
- Greater light output than a 26W CFL or a 65W BR30 while consuming less than 25W of power
- Rated at 80+ CRI to meet California Title-24 strict compliance standards
- Life tested to ensure light output up to 50,000 hours of operation to L70
- High performance optic hides LED chip image but still delivers an even beam of light
- Elite's highly selective LED chips produce zero ultraviolet and virtually no infrared light
- Tested to LM-79 and LM-80 standards

INPUT VOLT.	INPUT FREQ.	THD	POWER FACTOR	INPUT POWER	LUMENS
MVOLT	50/60Hz	<20%	>0.9	25W(+/-5%)	2500

DURABILITY

Our die-cast system pulls the heat from the LED chip, allowing the continued cool operation for years. Our LED driver is rated for 50 to 60 Hz at 120V input, and produces less than 20% THD, has a power factor between 0.90 and 1.00 and is thermal protected for additional safety.

DIMMABLE

The Elite LED Module is dimmable down to 10% of initial light output, 0-10V dimming. Consult factory for complete list of compatible dimming systems.

OUR WORD

The Elite LED lighting system carries a five-year carefree warranty for parts and components. (Labor not included)

LED

8"

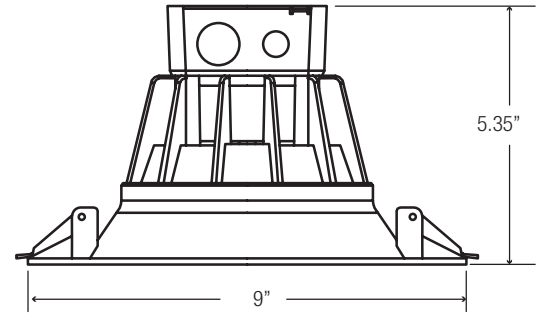
8 INCH LED RETROFIT MODULE

RL841

8" LED RETROFIT BAFFLE LIGHTING MODULE WITH JUNCTION BOX



Cut hole in ceiling and snap fixture in opening with attached spring clips.



Example: **RL841-2500L-DIM10-MVOLT-35K-90-W-WH**

TYPE	PERFORMANCE	CCT	CRI	FINISH	REFLECTOR TRIM (RT)	HOUSING OPTION
RL841 (Baffle)	<input type="checkbox"/> 2500L-DIM10-MVOLT	<input type="checkbox"/> 30K <input type="checkbox"/> 35K <input type="checkbox"/> 40K <input type="checkbox"/> 50K	<input type="checkbox"/> 90+	<input type="checkbox"/> W-WH	<input type="checkbox"/> RL841-RT-CL-WH <input type="checkbox"/> RL841-RT-SHZ-WH	<input type="checkbox"/> BHHR8PL

LED
8"

AVAILABLE TRIM OPTION INSERTS

REFLECTOR

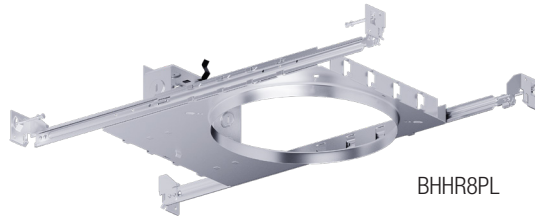


RL841-CL-WH



RL841-SHZ-WH

FRAME FOR NEW CONSTRUCTION



BHHR8PL

RL841-2500L-DIM10-MVOLT

INPUT WATTS: **31.2**

LUMENS: **2414**

CRI: **90+**

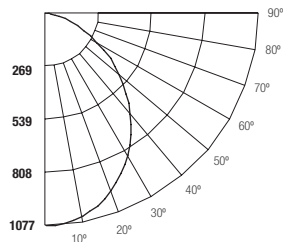
EFFICACY: **77**

CCT: **3000K**

TEST NO.: **EL-113716**

SPACING CRITERIA: **1.22**

Candle Power Distribution (Candelas)



Zonal Lumens Summary

Zone	Lumens	%Lamp	%Fixt
0-20	388.89	16.10	16.10
0-30	813.42	33.70	33.70
0-40	1301.69	53.90	53.90
0-60	2104.7	87.20	87.20
0-80	2390.77	99.10	99.00
0-90	2414.49	100.00	100.00

Luminance (Average candela/M²)

Angle in Degrees	Average 0°	Average 45°	Average 90°
45	27001	27023	26973
55	20965	21625	23121
65	14321	16022	17110
75	7835	8750	12266
85	5150	8111	12540

Lumens Per Zone

Zone	Lumens
0-10	101.60
10-20	287.29
20-30	424.54
30-40	488.26
40-50	456.45
50-60	346.56
60-70	203.62
70-80	82.45
80-90	23.72

Candela Tabulation

0	1077.37
5	1072.02
15	1023.79
25	925.58
35	794.80
45	607.40
55	382.56
65	192.54
75	64.51
85	14.28
90	0.86

Coefficients of Utilization - Zonal Cavity Method

Effective Floor Cavity Reflectance 0.20

ROOM CAVITY RATIO	RC	80%				70%				50%				30%				10%				0%			
		RW	70%	50%	30%	10%	70%	50%	30%	10%	50%	30%	10%	30%	10%	50%	30%	10%	10%	50%	30%	10%	0%		
0																									
1	119	119	119	119	116	116	116	116	111	111	111	111	106	106	106	102	102	102	100	100	100	100	100	100	
2	110	106	102	99	108	104	100	97	100	97	94	96	94	92	92	90	89	89	87	87	87	87	87	87	
3	101	94	88	83	99	92	87	82	89	84	80	86	82	78	83	79	77	75	75	75	75	75	75	75	
4	93	84	76	71	91	82	75	70	79	73	69	77	72	68	74	70	66	64	64	64	64	64	64	64	
5	86	75	67	61	84	74	66	60	71	65	60	69	63	59	67	62	58	56	56	56	56	56	56	56	
6	79	68	59	53	77	66	59	53	64	58	52	62	56	52	61	55	51	49	49	49	49	49	49	49	
7	74	61	53	47	72	60	52	47	59	52	46	57	51	46	55	50	46	44	44	44	44	44	44	44	
8	69	56	48	42	67	55	47	42	54	46	41	52	46	41	51	45	41	39	39	39	39	39	39	39	
9	64	51	43	38	62	50	43	37	49	42	37	48	42	37	47	41	37	35	35	35	35	35	35	35	
10	60	47	39	34	59	47	39	34	45	39	34	44	38	34	43	38	33	32	32	32	32	32	32	32	
10	56	44	36	31	55	43	36	31	42	35	31	41	35	31	40	35	31	29	29	29	29	29	29	29	

RC - Ceiling Cavity Reflectance

RW - Wall Reflectance

8 INCH LED RETROFIT MODULE