

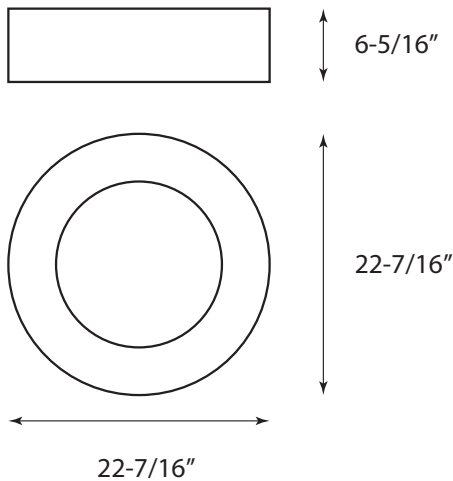
# ORBIT-LED

UP TO  
**2000**  
LUMENS

ORBIT LED PENDANT SERIES



## DIMENSIONS:



Catalog Number:

Project Name:

Type:

Note:

**ORACLE**  
LIGHTING

**APPLICATION** - Orbit is a clean and modern form that adds a great circular glow to a space. Orbit's smooth lines can fit into a wide range of decorative styles. It can be used in lobbies, restaurants, office spaces and educational facilities. Orbit's rare form can either stand out or blend into various lighting applications.

**CONSTRUCTION** - Rigid aluminum design ensures longevity and endurance plus a high quality, high transmission, glare free lens for smooth illumination.

**PERFORMANCE** - The honeycomb light engines found in the Orbit is rated at 80+ CRI and are available in multiple CCTs: 3000K, 3500K and 4000K. Rated and tested to LM-79 and LM-80 standards. The LEDs are also binned to a 3-step MacAdam ellipse to achieve consistent color from fixture to fixture.

**ELECTRICAL** - Powered by high-quality constant-current power LED drivers which are rated for 50 to 60Hz at 120-277V input, produce less than 20% THD, and have a power factor of .90 to 1.00.

**DIMMING** - The ORBIT-LED comes standard with 0-10V dimming on either in 120 and 277V. 347V please consult factory. Dimmable down to 1% of initial lumens. Also available in Lutron dimming options. Consult factory for dimmer compatibility.

**MOUNTING** - Comes standard in ceiling mount or adjustable cable suspension system providing fast installation into a variety of interior heights, including sloped ceilings. Consult factory for additional mounting options.

**QUALITY CONTROL** - Every fixture is rigorously tested by our QC Department before shipping.

**LISTING** - ETL/C-ETL listed to US and Canadian standards

**WARRANTY** - Limited 5 Year Warranty

EXAMPLE: ORBIT-LED-2-1500L-DIM10-MVOLT-40K-WH-CM

SERIES	SIZE	LUMENS - DIMMING	CCT	EMERGENCY	COLOR	MOUNTING OPTION
ORBIT-LED	2' (1.8')	<input type="checkbox"/> 2000L-DIM10-MVOLT <input type="checkbox"/> 2000L-LUTH-MVOLT <input type="checkbox"/> 2000L-DIMTR-120	<input type="checkbox"/> 30K <input type="checkbox"/> 35K <input type="checkbox"/> 40K	<input type="checkbox"/> EMG-LED Remote Mounted for Surface Mount	<input type="checkbox"/> WH (Matt White) Custom color available, please consult factory. Must provide RAL#	<input type="checkbox"/> CM-Ceiling Mount <input type="checkbox"/> SM-10' Suspended Mount (Consult factory for other sizes)



# PHOTOMETRY DATA

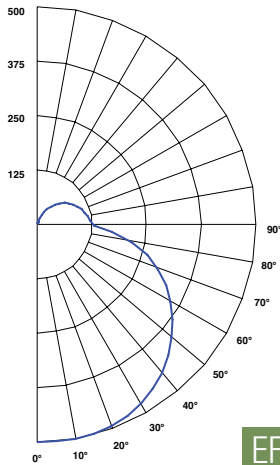
ORBIT-LED-1-1800L-DIM10-MVOLT-40K-WH

WATTAGE: **30.7**

LUMENS: **2626**

TOTAL LUMINAIRE EFFICACY: **86**

## Candle Power Distribution (Candelas)



## Zonal Lumens Summary

Zone	Lumens	%Lamp	%Fixt
0-30°	410.86	15.70	15.60
0-40°	696.22	26.50	26.50
0-60°	1922.13	73.20	73.20
0-90°	2098.36	79.90	79.90
0-180°	2625.79	100.00	100.00

## Luminance Data (cd/sq.m)

Angle In Degrees	Average		
	0°	45°	90°
45°	6426	6408	6368
55°	7051	7017	6960
65°	8203	8137	8050
75°	10766	10613	10431
85°	21065	20539	19816

## Candela Tabulation

	0	45	90
0	496.879	496.879	496.879
5	497.310	498.480	498.950
15	496.630	497.410	497.370
25	484.340	484.570	483.810
35	459.190	458.670	456.960
45	422.530	421.350	418.750
55	376.090	374.280	371.220
65	322.380	319.760	316.370
75	259.100	255.430	251.050
85	170.720	166.460	160.600
90	127.650	124.560	121.780

## Spacing Criteria

0-180	: 1.42
90-270	: 1.42
Diagonal	: 1.56

**EFFICACY: 86 LM/W**

## Coefficients of Utilization - Zonal Cavity Method

Effective Floor Cavity Reflectance 20% = PF

RC RW	80%				70%				50%				30%				10%				0%			
	70%	50%	30%	10%	70%	50%	30%	10%	50%	30%	10%	50%	30%	10%	50%	30%	10%	50%	30%	10%	0%			
0	114	114	114	114	109	109	109	109	100	100	100	100	91	91	91	91	84	84	84	84	80	80		
1	101	95	90	85	96	91	86	82	83	79	76	73	70	69	66	64	61	58	55	51	48	48		
2	91	81	73	67	86	78	70	64	71	65	60	55	50	45	41	38	35	32	29	26	23	20		
3	82	70	61	54	78	67	59	52	61	54	49	43	38	33	29	25	22	19	17	15	13	11		
4	74	62	52	45	71	59	50	43	54	46	41	36	31	27	23	20	17	14	12	10	9	7		
5	68	54	45	38	64	52	43	37	48	40	34	29	25	21	18	15	13	10	8	7	6	4		
6	63	49	39	32	59	47	38	32	43	35	30	25	21	17	14	12	10	8	6	5	4	3		
7	58	44	35	28	55	42	34	27	39	31	26	21	17	14	11	9	7	5	4	3	2	1		
8	54	40	31	25	51	38	30	24	35	28	23	18	14	11	8	6	5	4	3	2	1	0		
9	50	36	28	22	48	35	27	22	32	25	20	15	11	8	6	4	3	2	1	0	0	0		
10	47	33	25	20	44	32	24	19	30	23	18	13	9	6	4	3	2	1	0	0	0	0		

RC - Ceiling Cavity Reflectance

RW - Wall Reflectance