

LED ARCHITECTURAL LINEAR SYSTEM

Tunable White with Smart White Technology

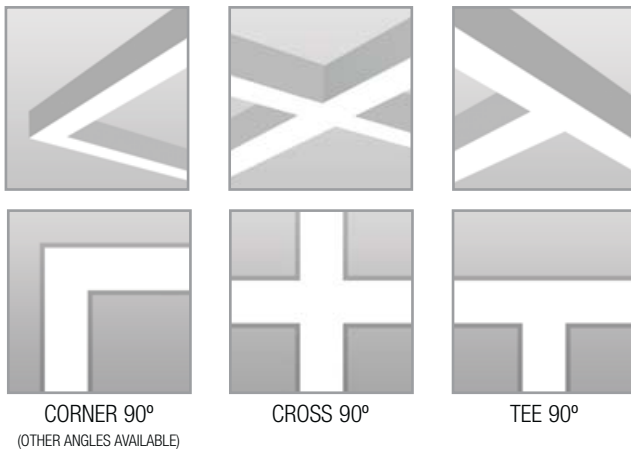
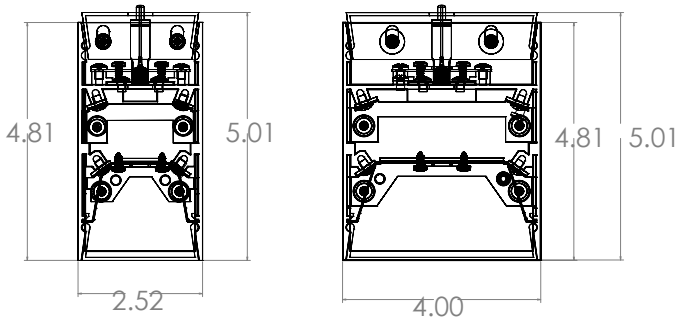


OLS-DI-LED

LED ARCHITECTURAL SUSPENDED LINEAR DIRECT/INDIRECT SYSTEM

CALCULATED
L70
LIFETIME
110,000 HRS

CALCULATED
L85
LIFETIME
65,000 HRS



All Corners are fully illuminated, and are shipped pre-fabricated to provide seamless installation of creative designs.

Available in SURFACE LINEAR DIRECT SYSTEM, RECESSED LINEAR DIRECT SYSTEM, WALL MOUNT LINEAR DIRECT/INDIRECT SYSTEM

APPLICATION: Ambient lighting for glare-free, smooth illumination ideal for institutional, commercial and retail application.

PRODUCT FEATURES:

- Direct/indirect of 500L, 750L or 1000L lumens per ft. uplight and 500L, 750L or 1000L lumens per ft. downlight
- Standard length 2', 4' and 8'
- Aperture width include 2" and 4"
- Rigid aluminum extrusion made out of T6063-T5 aluminum, die cast aluminum end caps
- Optical system offers high efficiency LED light that passes through a smooth acrylic lens for optimal distribution patterns, thus creating a glare-free and even distribution for your application
- Life tested to 50,000 hours of operation to L70
- Tested to LM-79 and LM-80 standards
- Full ability to tandem mount for continuous run application complete with easy quick connects

PERFORMANCE: Operating system delivers 500, 750, or 1000 lumens per ft. All Smart White LED Tunable White systems maintain a CRI of 90+ across the tunable range, and are binned to within 2 MacAdam ellipse. Elite Lighting offers this technology in three different platforms: *Elite High Performance*, *Lumenetix*, and *Wattstopper Blanco 3*.

OPTICS - Fabricated of 20 gauge aluminum. Post painted finish with 95% reflective premium paint.

DIFFUSER - Smooth white frosted acrylic lens for glare free light and even distribution. Precision cut, snap in design. 4" lens 3.858" width 2" lens 2.361" width.

FABRICATION - Available in uplight and downlight option or uplight and wallwash configuration. Available in 2" and 4" aperture width. Rigid design made with extruded aluminum ensures longevity and endurance.

FINISH - Aluminum electrostatic painted in White, Silver or custom colors.

MOUNTING - Comes standard with adjustable cable suspension system providing fast installation into a variety of interior heights, including sloped ceilings.

ENDCAPS - Rigid aluminum extrusion made out of T6063-T5 aluminum, diecast end caps.

STANDARD LENGTHS - All luminaires are supplied in nominal lengths to ensure even illumination. Runs and configurations are available in app. 2', 4' and 8' increments.

CRM INSTALLATION - For continuous row mounting, the first fixture in the row will always be the power supplies feed. After plugging in the male and female harnesses, which are supplied with each fixture, they will easily slid together, then secured with two screws from opposite direction in the connecting brackets. This allows for fixtures to be continuously connected with only removing the lenses. There is no need to remove any other parts in the fixture to install the continuous run.

ELECTRICAL - Powered by high-quality constant-current power LED drivers which are rated for 50 to 60Hz at 120-277V input, produce less than 20% THD, and have a power factor of .90 to 1.00. Male and Female 18-gauge 6 wire plug connectors are included with every fixture to allow for simple hassle-free continuous wiring. Each fixture must be installed male to female.

OPTIONS - Fixtures may be shipped pre-installed with daylight harvesting controls, occupancy sensors, and/or power pack. Available manufacturer options include Lutron, Leviton, Wattstopper, EnOcean, Enlighted, Philips and others. **Consult factory for details.**

QUALITY CONTROL - Every fixture is rigorously tested by our QC Department before shipping.

LISTING: c-UL-us / c-ETL-us - listed for Damp location

All LED luminaires are rated and tested to LM-79 and LM-80 standards by an independent laboratory.

OUR WORD - Our LED system is Life tested to ensure light output of L70 up to 110,000 hrs and L85 up to 65,000 hrs and carries a five-year carefree warranty for parts and components. (Labor not included)

SMART WHITE IS AVAILABLE IN THREE DIFFERENT PLATFORMS:

SMART WHITE HIGH PERFORMANCE PLATFORM with a tuning range of 5000K to 2700K (TWH-50K-27K): 500, 750, or 1000 lumens per ft. delivered.

LUMENETIX PLATFORM with tuning range of 8000K to 1650K (TWH-LTX-80-16K). For simple deployment, Lumenetix platform allows up to five scenes to be pre-programmed into the module and recalled at the venue using a 0-10V. Lumenetix App. Commissioning of the module and re-programming of Scenes are done via the wireless Lumenetix App Via smart-phone or Smart Phone that connects to the embedded radio.

LEGRAND WATTSTOPPER BLANCO 3 with tuning range of 6500K to 2700K (TWH-WBL3-65K-27K) Three-channel solution adjusts corrected color temperature (CCT) precisely along the blackbody curve across a wide range of color temperatures to replicate natural daylight.

SMART WHITE CAN BE SUPPLIED WITH A VARIETY OF DIMMING AND CONTROL PROTOCOLS 0-10V. DMX, DALI, OR LUTRON ECOSYSTEM:

DIM10 (0-10V 1% Dimming Standard) Compatible with *Elite* and *Lumenetix* platforms.

In order to Control the Color Tuning and dimming option with 0-10V driver you must dedicate two control inputs, one for the Dimming Control and another for CCT Tuning. Fixtures can be dimmed and tuned with 2 wall box dimmers and are compatible with most control systems and or daylight harvesting systems.

DIMMING AND TUNING CONTROL SYSTEMS PROVIDED BY ELITE LIGHTING:

ELITE-CONNECT 0-10V. (EC-WC-TWH-HW-MVOLT) Hard Wired Wall-Mount Controller to controls CCT Tuning and Intensity. (Order with DIM10 Option) Available on *Elite*, *Lumenetix* platforms.

Hard Wired Wall-Mount Controller easily controls CCT Tuning and Intensity through simple Touch Screen pad, provided by Elite Lighting. Ideal for classrooms, small offices, and healthcare patient rooms. Compatible with most Motion Sensors.

DMX (Available on *Elite*, and *Lumenetix* platforms) - Compatible with Digital Multiplex Controller, Available with two options: DMX-512: Standard DMX Controller and DMX-RDM: DMX Controller with Remote Device Management.

LUTRON - (Available on *Elite* platform) Compatible with Lutron GRAFIK Eye QS or GRAFIK Eye 3000 by using two GRX-TVI Lutron 0-10V Dimming interfaces, one to tune and another control dimming. Also compatible with Lutron VIVE system by using two FCJS-010 PowPak modules per fixture, one to tune and one to control dimming.

LUTECO - (Available on *Lumenetix* platforms) Compatible with Lutron EcoSystem. Compatible with Lutron GRAFIK Eye EcoSystem, Lutron Energi Saver node EcoSystem, or Lutron Quantum systems.

BLUETOOTH / BLE (Available on *Lumenetix* platforms) - Dimming and CCT can be controlled via Bluetooth using an app running on smartphones or tablets.

DALI (Available on *Lumenetix* platforms) - Compatible with Digital Addressable Lighting Interface, available with TD8 option.

DLM (Available on *Lumenetix* and *Wattstopper Blanco 3* platform) - Fixture compatible with Legrand Wattstopper DLM module system.

Ordering Information: Example: OLS-DI-LED-2-REC-W8-L6-TWH-50K-27K-D500L-U500L-DIM10-MVOLT

OLS-DI-LED	Single Run	2, 4 OR 8'	PLATFORM	DIRECT LUMENS	INDIRECT LUMENS	DIMMING	VOLTAGE
SERIES OLS-DI-LED-Oracle Suspended Direct/Indirect LED Linear	WIDTH 2 - 2" 4 - 4"		ELITE PLATFORM TWH-50K-27K	ELITE PLATFORM D500L - per ft. D750L - per ft. D1000L - per ft.	ELITE PLATFORM U500L - per ft. U750L - per ft. U1000L - per ft.	ELITE PLATFORM DIM10 - 0-10V Dimming (Compatible with Lutron GRAFIK Eye,Vive) DMX-512 - Standard Controller DMX-RDM - Remote Device Management	MVOLT 347* <small>* Consult factory for details</small>
SHAPE S - Single Unit CR - Continuous Run REC - Rectangle CUS - Custom <small>(Consult Factory)</small>	Cont. Run		LUMENETIX PLATFORM TWH-LTX-80K-16K <small>(Only available on 4")</small>	LUMENETIX PLATFORM D1000L - per ft.	LUMENETIX PLATFORM U1000L - per ft.	LUMENETIX PLATFORM DIM10 - 0-10V Dimming LUTECO - Lutron EcoSystem DALI - DALI Type 8 Controller DMX-512 - Standard Controller DMX-RDM - Remote Device Management	FINISH WH - White SI - Silver CUSTOM - Consult factory
	Rectangle		WATTSTOPPER BLANCO 3 TWH-WBL3-65K-27K <small>(Only available on 4")</small>	WATTSTOPPER BLANCO 3 D1000L - per ft.	WATTSTOPPER BLANCO 3 U1000L - per ft.	WATTSTOPPER BLANCO 3 BLUETOOTH - Bluetooth LV Controller DLM - Wattstopper DLM WATTSTOPPER BLANCO 3 DLM - Wattstopper DLM	EMERGENCY O-EMG-LED
	Rectangle						OTHER OPTIONS FBF - Internal Fast Blow Fuse SBF - Internal Slow Blow Fuse RIS - Radio Interf. Sensor USA - Made in America Compliance OCGSS - Aircraft Cable