



**ILLUMINATION**

- Long lasting, efficient ultra-bright white LED lamp heads
- High-performance chrome-plated metalized reflector and plastic lens (indoor applications) or glass lens (outdoor applications) for optimal light distribution
- Adjustable LED lamp heads increases center-to-center spacing with 8 LEDs in each lamp head

**HOUSING**

- Indoor application remote heads are injection-molded, engineering-grade, 5VA flame retardant, high-impact resistant, thermoplastic in white or black finish
- Outdoor application remote heads are die-cast aluminum, Sealed and gasketed in gray or black finish

**MOUNTING**

- Universal mounting base mounts to single-gang switch box
- Distance of maximum run is determined by system voltage, wire gauge and total maximum wattage on the run
- Suitable for wall or ceiling mount

**ELECTRICAL**

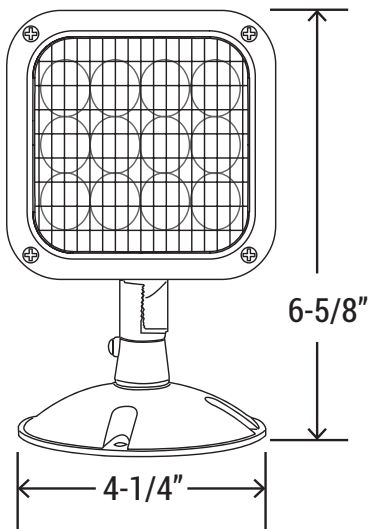
- Powered from low voltage power source with low voltage wiring (not provided)

**WARRANTY**

- Five year warranty on electronics and housing

**LISTED**

- Meets UL924, NFPA 101 Life Safety Code, NEC, OSHA, Local and State Codes
- UL listed for dry locations (25°C)



LED Indoor/Outdoor Remote Head



ITEM SELECTOR: (Please check the boxes below for the option desired)

CATALOG#	APPLICATION
ELM-LED-881	<input type="checkbox"/> IN - Indoor <input type="checkbox"/> OT - Outdoor

SPECIFIED:

**ELM-LED-881** \_\_\_\_\_  
APPLICATION