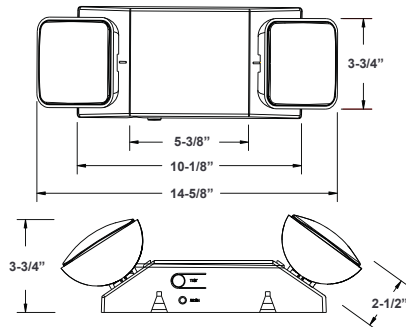


# ELM-LED-803

## LED Emergency Light W/ Battery Back-Up

Emergency Lighting



Catalog Number:	
Project Name:	Type:
Note:	<b>MAXILUME</b> ARCHITECTURAL LIGHTING

### FEATURES

This fixture is an excellent choice when an attractive emergency light is required. In cases of AC power loss, it provides a minimum of 90 minutes illumination. A trouble-free lead-calcium battery is provided with the fixture. The LED heads may be adjusted through the full range of motion because of the special swivel-track design.

### BODY

- The thermoplastic housing of the product makes it corrosion-proof and scratch-and impact-resistant
- UV-stabilization prevents discoloration of the product
- Compartment shaped by injection
- Power may be supplied via wall or ceiling

### FACE

- The face has two square LED heads that are fit into bevels on either side and each has a reflector and diffuser

### MOUNTING

- Unique "snap-together" universal mounting design permits top, back and side mounting. Necessary hardware and canopy are provided electrical

### ELECTRICAL

- 120V or 277V Dual Input
- Reset is automatic
- Hassle-free wiring without the need for additional hardware

### LAMPS

- 1W (8 LED's x 0.125) per head
- Emergency Light Fixtures: Two moveable glare free light heads that have a positioning lock

### BATTERY

- Indicator light shows high charge and readiness for operation
- 6V, 4 amp-hour sealed-lead acid battery works during power failures
- Replaceable and requires no maintenance
- When completely charged, supplies emergency power for 90 minutes

### TESTING

- Test Button
- Solid state line latched low voltage disconnect to avoid deep discharge
- Safeguarded against short circuits
- Power is automatically interrupted in cases of brown-out

### LISTED

- UL 924, NFPA, NEC, State & Municipal
- Damp location approved

ELM-LED-803 - ITEM SELECTOR: (Please check the boxes below for the option desired)

HOUSING COLOR	CANOPY
<input type="checkbox"/> W - White	UNIVERSAL MOUNT TO WALL OR CEILING
<input type="checkbox"/> B - Black	

Specified:

ELM-LED-803 \_\_\_\_\_  
HOUSING COLOR



A division of  
**Elite Lighting**

Submittal form is available @ [www.maxilume.com](http://www.maxilume.com)  
Tel: 323-888-1973 • Fax: 323-888-1977

Specifications and Dimensions  
subject to change without notice.

REV: MAXILUME-SPEC-03-10-2011