

ELM-814

New York City Approved **27W** Heavy-Duty
Emergency Unit

Emergency Lighting

Catalog Number:

Project Name:

Note:

Type:



ILLUMINATION

- Adjustable, glare-free PAR-Type lamp heads with 9W (on 6V models) incandescent lamps.
- Field installable third lamp head included with the 27W models.

ELECTRICAL

- Dual 120/277 voltage.
- Charge rate/power "ON" LED indicator light and push-to-test switch for mandated code compliance testing.
- LVD (low voltage disconnect) prevents battery from deep discharge.
- 6V maintenance-free, rechargeable sealed lead acid battery.
- Internal solid-state transfer switch automatically connects the internal battery to lamp heads for minimum 90-minute emergency illumination.
- Fully automatic solid-state, two rate charger initiates battery charging to recharge a discharged battery in 24 hours.

MOUNTING

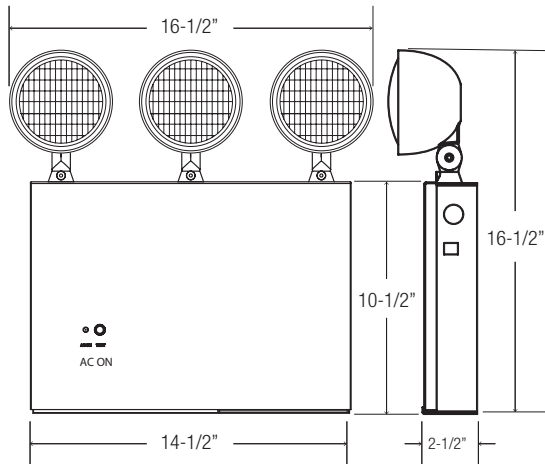
- Knockouts on the back for wall mount.
- Side and top knockouts for conduit feed applications.

HOUSING

- Durable powder-coated 20-gauge steel construction in white or black finish.
- Injection-molded engineering grade high-impact thermoplastic heads.

WARRANTY/LISTING

- Five year warranty on all electronics and housing. Battery pro rated for two years.
- Meets UL924, NFPA 101 Life Safety Code, NEC, OSHA, Local and State Codes.
- UL Listed for dry locations (25°C).



ELM-814 - ITEM SELECTOR: (Please check the boxes below for the option desired)

NO. OF HEAD(S)	LAMP VOLTAGE	UNIT WATTAGE	LAMP WATTAGE	HOUSING COLOR
2 OR 3	6V	27W	9W	<input type="checkbox"/> W - White <input type="checkbox"/> B - Black

SPECIFIED:

ELM-814 - _____
HOUSING COLOR