

NEW

**FEATURES**

This fixture is an excellent choice when an attractive emergency light is required. In cases of AC power loss, it provides a minimum of 120 minutes illumination. A trouble-free lead-calcium battery is provided with the fixture.

**BODY**

- Architectural, low-profile design
- Die-cast aluminum housing
- Polycarbonate lens and mirror reflector
- UL 94V-0 flame rating
- Suitable for wet location

**MOUNTING**

- Unique universal mounting design permits top and back mounting. Required hardware is provided.

**LAMPS**

- 2 X 6V 6W Xenon lamps for emergency mode.

**ELECTRICAL**

- Universal 120V or 277V dual Input
- Test switch and charge rate indicator

**TESTING**

- **Self Diagnostic** model automatically tests the overall performance of the unit every month and identifies problems with proper operation.
- Test button
- Solid state line latched low voltage disconnect to avoid deep discharge.
- Safeguarded against short circuits.
- Power is automatically interrupted in cases of brown-out.

**LISTED**

- Damp location approved

**AVAILABLE OPERATIONS:**

**ELM-807 - OUTDOOR DIE-CAST EMERGENCY LIGHT W/ BATTERY BACK-UP**

- **Emergency Battery Back-Up** provides a minimum of 90 minutes illumination when AC power is lost.
- Sealed-lead acid battery (6V 5A) delivers more than 90 minutes capacity to emergency lamps.
- 24 hours recharge after 90 mins. discharge.
- Low voltage battery disconnection-preventing deep discharge damage to the battery.

**ELM-807-SNR - OUTDOOR DIE-CAST EMERGENCY LIGHT W/ BATTERY BACK-UP WITH SENSOR**

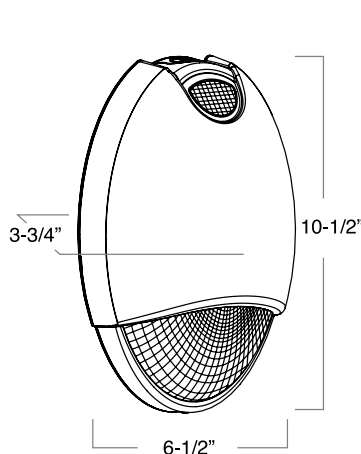
- **Emergency Battery Back-Up** provides a minimum of 90 minutes illumination when AC power is lost.
- Sealed-lead acid battery (6V 5A) delivers more than 90 minutes capacity to emergency lamps.
- 24 hours recharge after 90 mins. discharge.
- Low voltage battery disconnection-preventing deep discharge damage to the battery.



SN - Satin Nickel



BZ - Bronze



WH - White

ITEM SELECTOR: (Please check the boxes below for the option desired)

CATALOG#	OPTION	HOUSING COLOR
<input type="checkbox"/> <b>ELM-807</b> OUTDOOR DIE-CAST EMERGENCY LIGHT WITH BATTERY BACK-UP	<input type="checkbox"/> <b>SDT</b> (Self Diagnostic Test)	<input type="checkbox"/> <b>WH</b> - White <input type="checkbox"/> <b>BZ</b> - Bronze <input type="checkbox"/> <b>SN</b> - Satin Nickel
<input type="checkbox"/> <b>ELM-807-SNR</b> OUTDOOR DIE-CAST EMERGENCY LIGHT W/ BATTERY BACK-UP W/ SENSOR	<input type="checkbox"/> <b>SDT</b> (Self Diagnostic Test)	<input type="checkbox"/> <b>WH</b> - White <input type="checkbox"/> <b>BZ</b> - Bronze <input type="checkbox"/> <b>SN</b> - Satin Nickel

SPECIFIED:

ELM- \_\_\_\_\_ - \_\_\_\_\_ - \_\_\_\_\_  
CATALOG NO.                      OPTION                      HOUSING COLOR

