

A2-LED-R

2" Architectural Remodel LED Downlight

up to 16 Watts / up to 1000 Lumens



Catalog Number:

Project Name:

Note:

Type:

DESCRIPTION

The A2-LED architectural downlight provides unparalleled versatility in a small 2" aperture, delivering a powerful and precise beam of light, with uniform, glare-free illumination.

TECHNOLOGY

Designed with superior LED technology, it offers a multitude of beam distributions, a CRI of 90+, up to 1000 lumens, 1% dimming, and an option for warm dim technology.

INSTALLATION

Included is a unique rotate and lock into position function, providing easy-installation and adjustability.

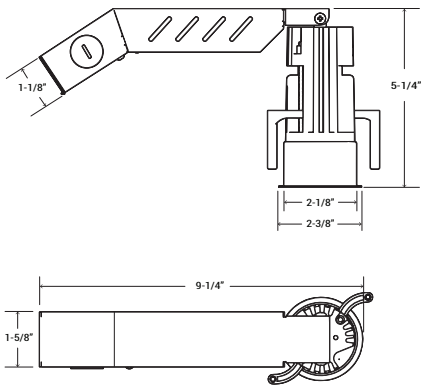
HOUSING

Thermally protected, specification grade recessed housing. For new construction and remodel insulated ceilings where housing will be in direct contact with insulation. Die-formed all aluminum construction matt black painted for maximum heat dissipation, rust protection and glare free illumination.

TRIMS

Offered with interchangeable round and square trims, multiple finish options, it provides the Elite source in flexibility.

DIMENSION



SPECIFICATIONS:

LUMENS	750 / 1000 lumens
WATTAGE	12W / 16W
CCT	30K
CRI	90
LIGHT EFFICIENCY	up to 63 lumens/watt
DIMMING	0-10V Dimming / Triac Dimming
VOLTAGE	120-277 VAC
POWER FREQUENCY	50/60 Hz
FINISH	Black
APPLICABLE ENVIRONMENT	Dry/Damp Location

OPTICS



DIMMABLE
0-10V DIMMING

5 YEARS
LIMITED
WARRANTY

Ordering Guide > Example: **A2-LED-R-750L-DIM10-MVOLT-MD-30K-90-A2R-F-1201-W-WH**

SERIES	PERFORMANCE	DIMMING	VOLTAGE	OPTICS	CCT	CRI	TRIMS/COLORS	OPTION																				
A2-LED-R 2" Remodel Architectural Downlight	750L - 750 lumens 1000L - 1000 lumens	DIM10 - 0-10V Dimming DIMTR - Triac Dimming	MVOLT - 120-277V	VND - 15° (Very Narrow) ND - 26° (Narrow) MD - 38° (Medium) WD - 50° (Wide)	30K - 3000K	90 - 90 CRI	<table border="1"> <thead> <tr> <th>ROUND</th> <th>COLORS</th> </tr> </thead> <tbody> <tr> <td>A2R-F-1201</td> <td>W-WH, SN-SN</td> </tr> <tr> <td>A2R-F-1202</td> <td>W-WH, CL-WH, SN-SN</td> </tr> <tr> <td>A2R-F-1227</td> <td>W-WH, SN-SN</td> </tr> <tr> <td>A2R-F-1228</td> <td>W-WH, CL-WH, SN-SN</td> </tr> <tr> <th>SQUARE</th> <th>COLORS</th> </tr> <tr> <td>A2S-F-1201</td> <td>W-WH</td> </tr> <tr> <td>A2S-F-1202</td> <td>W-WH</td> </tr> <tr> <td>A2S-F-1227</td> <td>W-WH</td> </tr> <tr> <td>A2S-F-1228</td> <td>W-WH</td> </tr> </tbody> </table>	ROUND	COLORS	A2R-F-1201	W-WH, SN-SN	A2R-F-1202	W-WH, CL-WH, SN-SN	A2R-F-1227	W-WH, SN-SN	A2R-F-1228	W-WH, CL-WH, SN-SN	SQUARE	COLORS	A2S-F-1201	W-WH	A2S-F-1202	W-WH	A2S-F-1227	W-WH	A2S-F-1228	W-WH	A2-LED-FR Frame for new construction option w/o bar hanger A2-LED-FR-BR30 Frame for new construction option with bar hanger
ROUND	COLORS																											
A2R-F-1201	W-WH, SN-SN																											
A2R-F-1202	W-WH, CL-WH, SN-SN																											
A2R-F-1227	W-WH, SN-SN																											
A2R-F-1228	W-WH, CL-WH, SN-SN																											
SQUARE	COLORS																											
A2S-F-1201	W-WH																											
A2S-F-1202	W-WH																											
A2S-F-1227	W-WH																											
A2S-F-1228	W-WH																											

A2-LED-R

2" Architectural Remodel LED Downlight

Catalog Number:

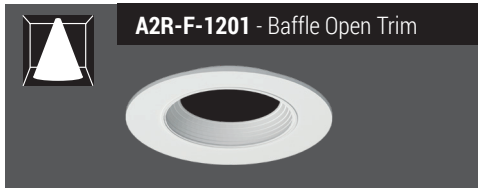
Project Name:

Note:

Type:

ROUND / SQUARE TRIMS

Round Flanged Trims



AVAILABLE COLOR OPTIONS:
W-WH (White-White)
SN-SN (Satin Nickel-Satin Nickel)



AVAILABLE COLOR OPTIONS:
W-WH (White-White)
SN-SN (Satin Nickel-Satin Nickel)



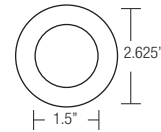
AVAILABLE COLOR OPTIONS:
W-WH (White-White)
CL-WH (Clear-White)
SN-SN (Satin Nickel-Satin Nickel)



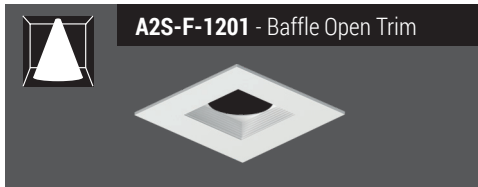
AVAILABLE COLOR OPTIONS:
W-WH (White-White)
CL-WH (Clear-White)
SN-SN (Satin Nickel-Satin Nickel)

TRIM OPTION:

Post-painted powder coated die-cast trim available in white and custom colors. Please consult factory for custom paint color options. Trims attach to the housing with piano springs for snug fit and zero light leakage.



Square Flanged Trims



AVAILABLE COLOR OPTION:
W-WH (White-White)



AVAILABLE COLOR OPTION:
W-WH (White-White)



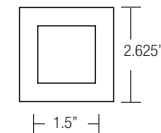
AVAILABLE COLOR OPTION:
W-WH (White-White)



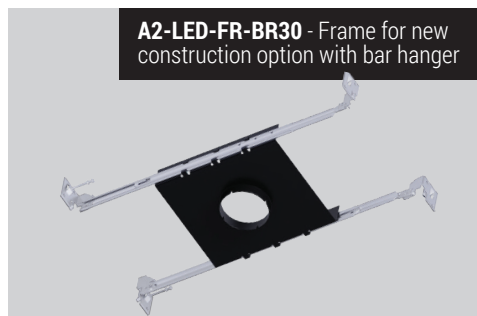
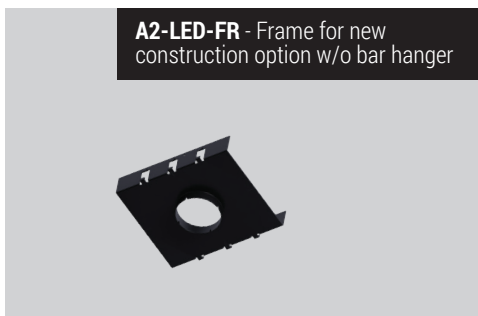
AVAILABLE COLOR OPTION:
W-WH (White-White)

TRIM OPTION:

Post-painted powder coated die-cast trim available in white and custom colors. Please consult factory for custom paint color options. Trims attach to the housing with piano springs for snug fit and zero light leakage.



Frame for New Construction



A2-LED-R

2" Architectural Remodel LED Downlight

Catalog Number:

Project Name:

Note:

Type:

PHOTOMETRY DATA

A2-LED-R-1000L-DIM10-MVOLT-SP-30K-90-A2R-LED-F-1202-W-WH

TEST NO.: EL0718139

INPUT WATTS: 16.2

LUMENS: 1161

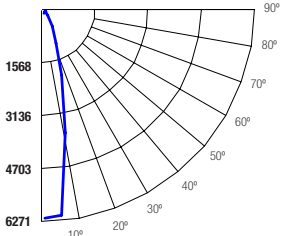
CRI: 90

EFFICACY: 72

CCT: 3000K

SPACING CRITERIA: 0.38

Candle Power Distribution (Candelas)



Distance to Plane	Initial Footcandle at Nadir	Beam diameter
4.0	392 fc	1.3 ft
8.0	98.0 fc	2.7 ft
12.0	43.5 fc	4.0 ft
16.0	24.5 fc	5.4 ft
20.0	15.7 fc	6.7 ft
24.0	10.9 fc	8.1 ft

BEAM DIA. MEASURED AT 50% OF NADIR F.C.

Zonal Lumens Summary

Zone	Lumens	%Lamp	%Fixt
0-20	881.00	N.A.	75.90
0-30	1078.37	N.A.	92.90
0-40	1121.54	N.A.	96.60
0-60	1147.64	N.A.	98.80
0-80	1159.27	N.A.	99.80
0-90	1161.05	N.A.	100.00

Luminance (Average candela/M²)

Angle in Degrees	Average		
	0°	45°	90°
45	2055	4257	8170
55	2020	2412	2496
65	1924	2421	2542
75	1638	2204	2711
85	1264	3064	3601

Lumens Per Zone

Zone	Lumens
0-10	410.75
10-20	470.25
20-30	197.37
30-40	43.18
40-50	16.89
50-60	9.21
60-70	7.19
70-80	4.44
80-90	1.78

Candela Tabulation

0	Q
0	6271.092
5	6212.580
15	2002.224
25	519.408
35	48.900
45	11.556
55	9.216
65	6.468
75	3.372
85	0.876
90	0.036

Coefficients of Utilization - Zonal Cavity Method

Effective Floor Cavity Reflectance 0.20

ROOM CAVITY RATIO	RC	RW	80%				70%			50%			30%			10%			0%	
			70%	50%	30%	10%	70%	50%	30%	10%	50%	30%	10%	50%	30%	10%	50%	30%	10%	0%
0			119	119	119	119	116	116	116	116	111	111	111	106	106	106	102	102	102	100
1			115	113	111	109	112	110	109	107	106	105	104	103	102	101	99	99	98	96
2			111	107	104	101	109	105	102	100	102	100	98	99	97	96	97	95	94	92
3			107	102	98	95	105	101	97	95	98	95	93	96	94	92	94	92	90	89
4			104	98	94	91	102	97	93	90	95	92	89	93	90	88	91	89	87	86
5			100	94	90	87	99	93	89	86	92	88	86	90	87	85	89	86	84	83
6			97	91	87	83	96	90	86	83	89	85	83	88	84	82	86	84	82	80
7			94	88	83	80	93	87	83	80	86	82	80	85	82	79	84	81	79	78
8			92	85	81	78	91	85	80	78	84	80	77	83	79	77	82	79	77	76
9			89	82	78	75	88	82	78	75	81	78	75	81	77	75	80	77	75	74
10			87	80	76	73	86	80	76	73	79	75	73	78	75	73	78	75	73	72

RC - Ceiling Cavity Reflectance

RW - Wall Reflectance

A2-LED-R-1000L-DIM10-MVOLT-ND-30K-90-A2R-LED-F-1202-W-WH

TEST NO.: EL0718146

INPUT WATTS: 16.2

LUMENS: 1213

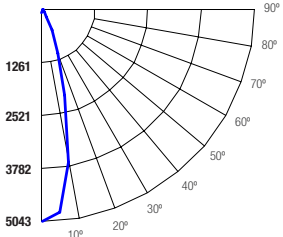
CRI: 90

EFFICACY: 75

CCT: 3000K

SPACING CRITERIA: 0.44

Candle Power Distribution (Candelas)



Distance to Plane	Initial Footcandle at Nadir	Beam diameter
4.0	315 fc	1.8 ft
8.0	78.8 fc	3.6 ft
12.0	35.0 fc	5.5 ft
16.0	19.7 fc	7.3 ft
20.0	12.6 fc	9.1 ft
24.0	8.75 fc	10.9 ft

BEAM DIA. MEASURED AT 50% OF NADIR F.C.

Zonal Lumens Summary

Zone	Lumens	%Lamp	%Fixt
0-20	916.17	N.A.	75.50
0-30	1129.31	N.A.	93.10
0-40	1171.79	N.A.	96.60
0-60	1198.09	N.A.	98.80
0-80	1210.78	N.A.	99.80
0-90	1212.71	N.A.	100.00

Luminance (Average candela/M²)

Angle in Degrees	Average		
	0°	45°	90°
45	8469	12761	17124
55	8955	8393	7101
65	9638	8648	7145
75	8628	8511	7654
85	7982	12493	10931

Lumens Per Zone

Zone	Lumens
0-10	389.42
10-20	526.75
20-30	213.14
30-40	42.48
40-50	16.29
50-60	10.00
60-70	7.87
70-80	4.82
80-90	1.93

Candela Tabulation

0	Q
0	5042.604
5	4841.796
15	2125.236
25	542.712
35	68.172
45	14.256
55	12.228
65	9.696
75	5.316
85	1.656
90	0.036

Coefficients of Utilization - Zonal Cavity Method

Effective Floor Cavity Reflectance 0.20

ROOM CAVITY RATIO	RC	RW	80%				70%			50%			30%			10%			0%	
			70%	50%	30%	10%	70%	50%	30%	10%	50%	30%	10%	50%	30%	10%	50%	30%	10%	0%
0			119	119	119	119	116	116	116	116	111	111	111	106	106	106	102	102	102	100
1			115	112	110	109	112	110	108	107	106	105	104	103	101	100	99	98	98	96
2			111	107	104	101	108	105	102	100	102	100	98	99	97	96	96	95	94	92
3			107	102	98	95	105	100	97	94	98	95	93	96	93	91	94	92	90	89
4			103	98	93	90	102	96	93	90	94	91	89	93	90	88	91	89	87	85
5			100	94	89	86	99	93	89	86	91	88	85	90	87	84	88	86	84	82
6			97	90	86	83	96	90	85	82	88	85	82	87	84	81	86	83	81	80
7			94	87	83	80	93	87	82	79	85	82	79	84	81	79	83	80	78	77
8			91	84	80	77	90	84	80	77	83	79	76	82	79	76	81	78	76	75
9			89	82	77	74	88	81	77	74	80	77	74	80	76	74	79	76	74	73
10			86	79	75	72	85	79	75	72	78	74	72	77	74	72	77	74	72	71

RC - Ceiling Cavity Reflectance

RW - Wall Reflectance