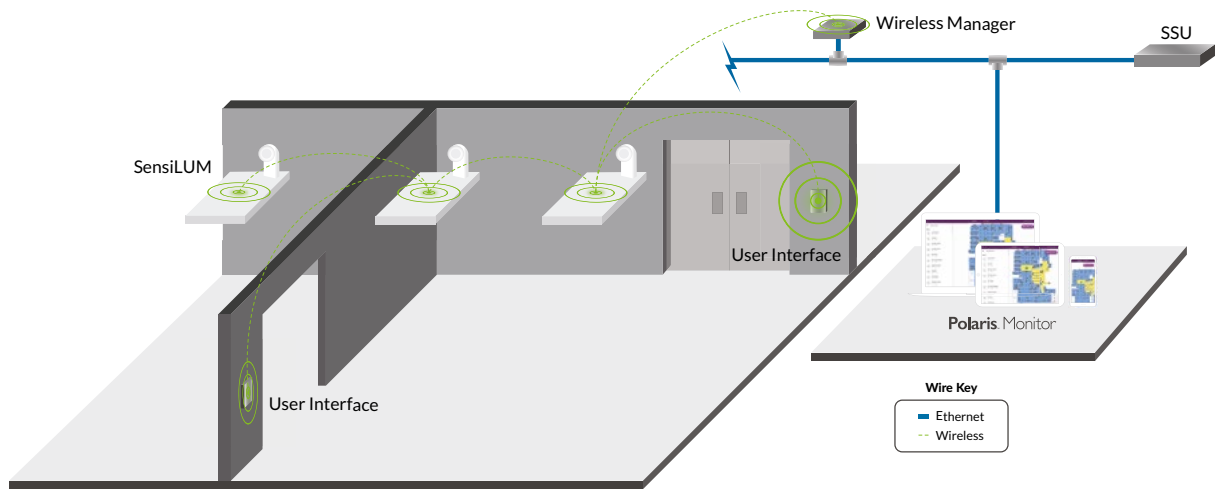
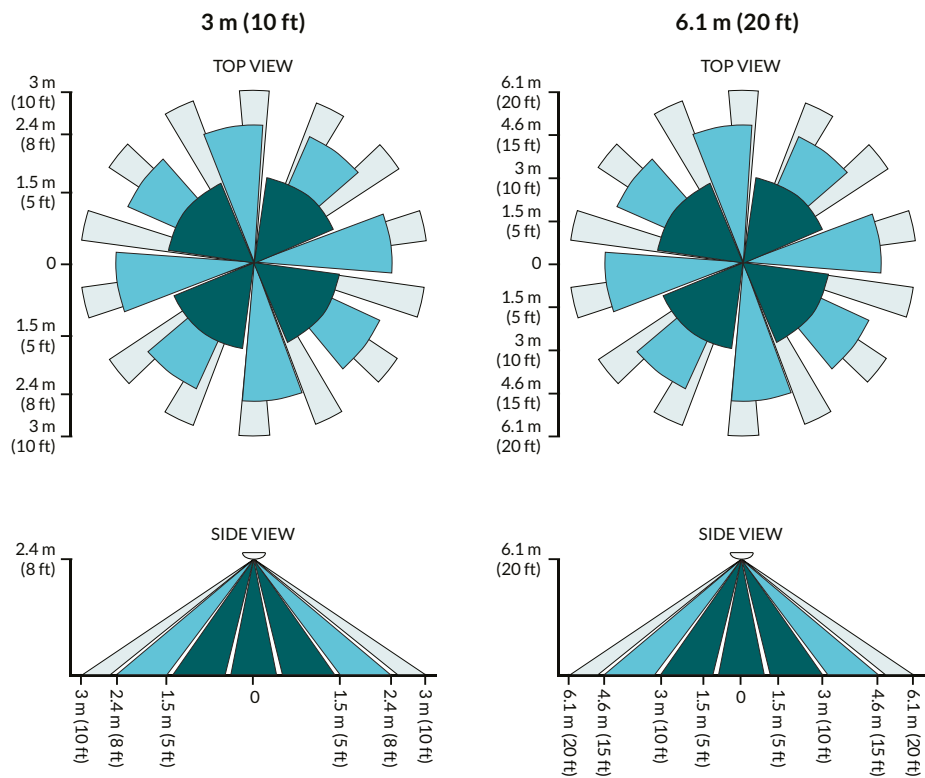


Wireless System Overview

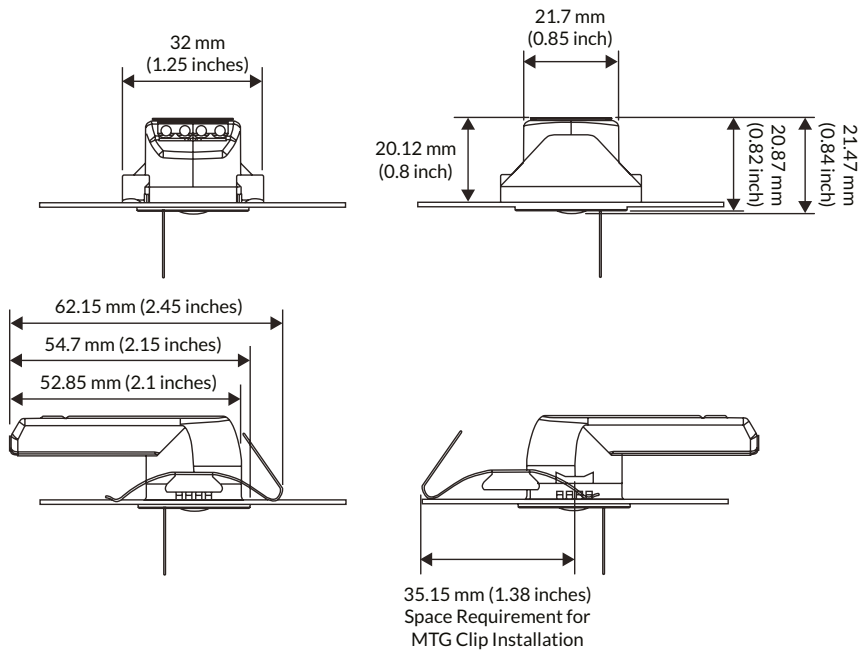
The SensiLUM Wireless Integrated Sensor allows luminaires to be wirelessly controlled. The Encelium X Wireless Manager sends dedicated commands wirelessly to each SensiLUM Sensor enabling individually controlled luminaires.



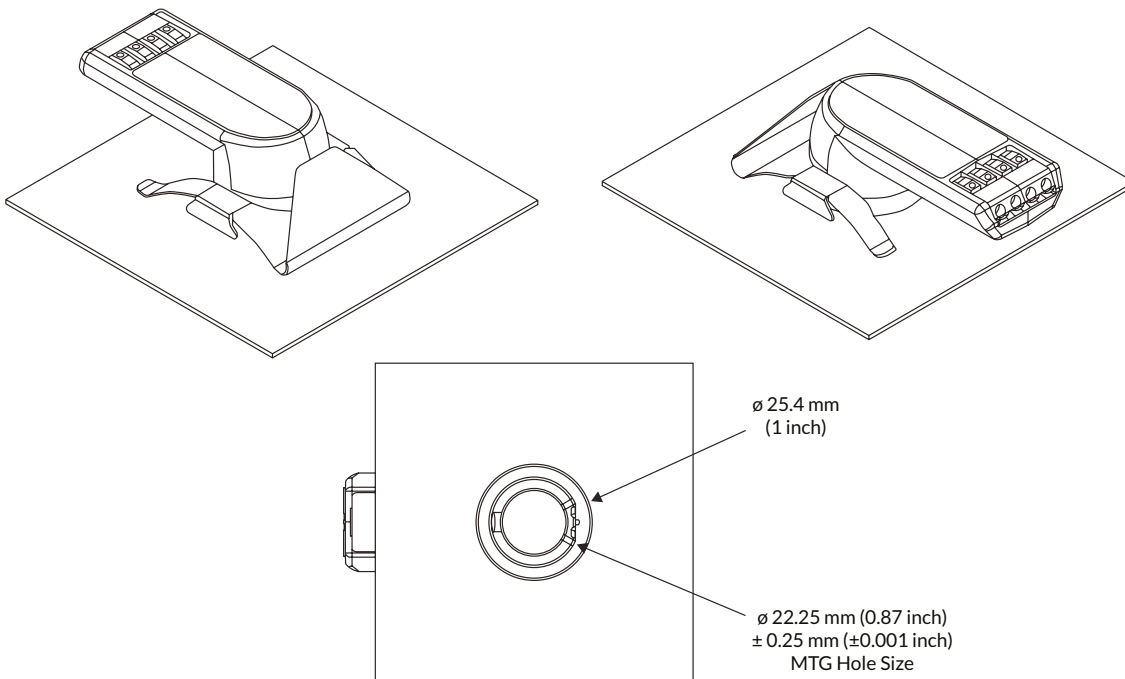
Sensor Coverage



Dimensions



Installation Diagrams



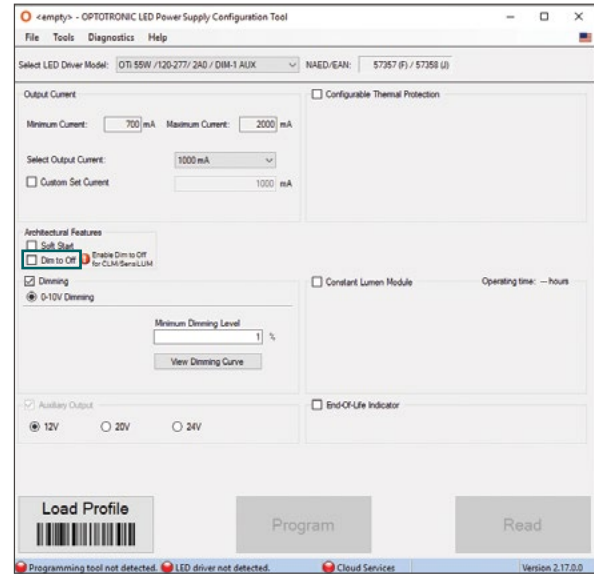
LED Driver Configuration

Important: The LED driver must possess Dim-to-OFF capability, and it must be enabled when using with CLM DIM.

If Dim-to-OFF is not enabled, then the CLM DIM will not be able to turn the light fixture ON/OFF.

If using DALI based LED Power Supplies, the dim-to-off feature must be enabled in the programming software. The default state of dim-to-off feature is disabled for out-of-the-box products.

Note: Ensure the Auxiliary output is set to 12V. If set above 12V the device may not perform its end of line testing.



8, / 121752 / 6 < 67 (06
 PSEHOOJHHN0YG
 5LFKDUGVRQ7HDV6
 7HO
 ZZZHQFHOLXPERP
 HUDQG05LKWV5HVHUYHGE