



OEVHP-LED Series

LED TROFFER

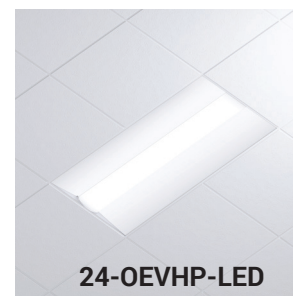
- 14-OEVHP-LED SERIES 1'x4' Troffer
- 22-OEVHP-LED SERIES 2'x2' Troffer
- 24-OEVHP-LED SERIES 2'x4' Troffer

SIZE	1'X4'	2'X2'	2'X4'
LUMEN	2000/3000/4000	2000/3000/4000	3000/4000/5000
CCT	35K/40K/50K		
COLOR QUALITY	3-Step MacAdam Ellipse		
CRI	85+		
MOUNTING	Recessed(Standard)		
DIMMING	0-10V Flicker Free 10% Dimming Standard (DIM10)		
LIFE TIME	L70 at 60,000 Hours		

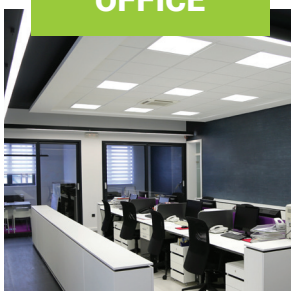
The OEVHP LED architectural center basket troffer provides a modern look, high output, and visual comfort. Easily adjust output and color temperatures in the field with multi-lumen and multi-CCT selector switches. Energy efficiency and high optical performance make it ideal for offices, schools, healthcare, hospital, and retail applications.

MULTI LUMEN
SELECTOR

EASY 3 COLORS
SELECTOR
3500K • 4000K • 5000K



OFFICE



EDUCATION



HEALTHCARE



RETAIL



OEVHP-LED Series

ORACLE
LIGHTING
WWW.IUSEELITE.COM
by Elite Lighting

LED Architectural Center Basket Troffer Multi-Lumen, Multi-CCT Easy-to-use and install, cost-effective design.

Lumen and CCT selector switches are clearly visible and identifiable on the back of the fixture for easy adjustability. No need to remove the lens to access the two switches.

One switch controls CCT and another switch operates lumens, allowing the contractor to easily mix and match intensity and color temperature combinations in the field.

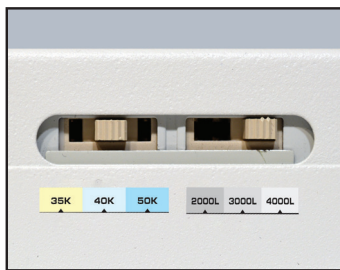


Easily change lumens in the field using the 3-lumen selector switch:

- 1'x4': 2000/3000/4000 lumens
- 2'x2': 2000/3000/4000 lumens
- 2'x4': 3000/4000/5000 lumens



Adjust CCT levels in the field by using the 3-Color SeleCCTor switch located on the side of the fixture.



Lumen and CCT selector switches are clearly visible and identifiable on side of fixture for easy adjustability. One switch controls CCT and another switch operates lumens, allowing the contractor to easily mix and match intensity and color temperature combinations in the field.

LED diodes are evenly spaced and individually covered with a patented LED optical system that disperses light in all directions for even distribution, which guarantees a fully luminous appearance.

Curved lens has a micro-ribbed pattern that distributes the lights from the LEDs in a wavelike distribution, sending light evenly in all directions, allowing the lens to be fully-lit and free of dark spots.

The center acrylic diffuser is secured tightly to the body with screws, so the lens will not detach from the fixture when undergoing cleaning, in multi-storied spaces, or in high-vibration and high-movement areas.

WWW.IUSEELITE.COM

+1 (323) 888-1973

WWW.IUSEELITE.COM

OEVHP-LED Series

ORACLE
LIGHTING
WWW.IUSEELITE.COM
by Elite Lighting

ADDITIONAL FEATURES

OPTICAL SYSTEM

LED diodes are evenly, closely spaced and cover fixture from end-to-end, ensuring no dark spots at both ends of the fixture.

Curved lens has a micro-ribbed pattern that distributes the light from the LEDs in a wavelike distribution, sending light evenly in all directions for a fully luminous look free of dark spots.

Lens is engineered for zero pixilation, regardless of the viewing angle.

MAINTENANCE

The center acrylic diffuser is secured tightly to the body with screws, so the lens will not detach from the fixture when undergoing cleaning, in multi-storied spaces, or in high-vibration and high-movement areas.

The center acrylic diffuser can be removed, allowing easy access to LED boards and driver.

CONSTRUCTION/FINISH

The LED light engine is secured to the body of the luminaire, with the body acting as a heat sink.

Body is constructed of heavy-duty 18-gauge cold rolled steel, post-painted with a 93% reflective white coat to improve luminaire efficacy, and engineered for maximum strength and extended life. All corners rounded to remove sharp edges for safe handling.

MOUNTING

Accommodates lay-in ceilings, Slot T, and T-bar suspension systems for 5/8" and 3/8" ceiling widths. Shipped standard with four corner tie points and built-in earthquake clips.

Luminaire is supplied with multiple wiring entrances for easy daisy chain of luminaires, to add whips or other accessories in the field, or for continuous row mounting.

OPTIONS

Options for flange kits, surface mount kits, and more. Available with factory-installed 90-min. emergency battery.

DIMMING AND DRIVER ELECTRICAL INFORMATION

DIM10 - Flicker Free <10% Dimming Standard (DIM10) 0-10V dimming on either 120 or 277V. Integrated driver powered by high-quality constant-current power LED drivers which are rated for 50 to 60Hz at 120/277V input and produce less than 20% THD, and have a power factor of .90 to 1.00.

WARRANTY

Five-year warranty for parts and components. (Labor not included)

LISTINGS

c-UL-us - Listed for Feed Through Wiring
c-UL-us Damp location listed
DLC-listed, California Title 24 compliant

WWW.IUSEELITE.COM

+1 (323) 888-1973

WWW.IUSEELITE.COM

OEVHP-LED Series

ORACLE
LIGHTING
WWW.IUSEELITE.COM
by Elite Lighting

ORDERING GUIDE

Example: 24-OEVHP-LED-3000/4000/5000L-DIM10-MVOLT-35K/40K/50K-85

FIXTURE SIZE	SERIES	TYPE	LUMENS	DIMMING	VOLTAGE	CCT	CRI	EMERGENCY	OTHER OPTIONS
22 - 2' X 2' 24 - 2' X 4' 14 - 1' X 4'	OEVHP LED Flat Panel Backlit	LED	1X4 2000/3000/4000L 2X2 2000/3000/4000L 2X4 3000/4000/5000L	DIM10 - 0-10V Dimming	MVOLT	35K/40K/50K	85	0-EMG-LED-10W 0-EMG-LED-20W	USA - Made in America Compliance FK22, FK14, FK24 - Flange Kit 22-OEVHP-LED-SMK - Surface Mount Kit 14-OEVHP-LED-SMK 24-OEVHP-LED-SMK



MOUNTING OPTIONS

SURFACE MOUNT KIT OPTIONS

1'X4'



14-OEVHP-LED-SMK

2'X4'



24-OEVHP-LED-SMK

2'X2'



22-OEVHP-LED-SMK

FLANGE KIT OPTIONS

1'X4'



FK14

2'X4'



FK24

2'X2'



FK22

WWW.IUSEELITE.COM

+1 (323) 888-1973

WWW.IUSEELITE.COM

OEVHP-LED Series

ORACLE
LIGHTING
WWW.IUSEELITE.COM
by Elite Lighting

SURFACE MOUNT KIT OPTIONS

1'X4'



14-OEVHP-LED-SMK

2'X4'



24-OEVHP-LED-SMK

2'X2'



22-OEVHP-LED-SMK

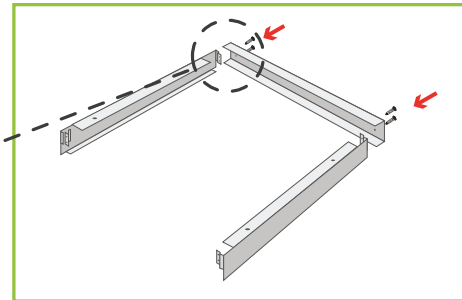
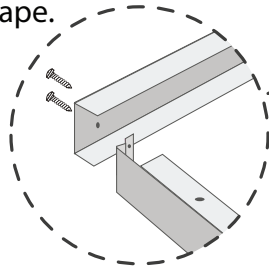
INSTALLATION

SURFACE MOUNT INSTALLATION

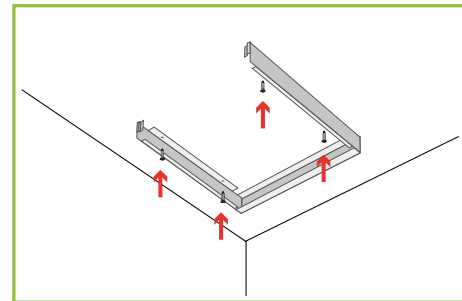
Wall/ceiling mount:

1. Arrange 3 side frames together in a U shape.

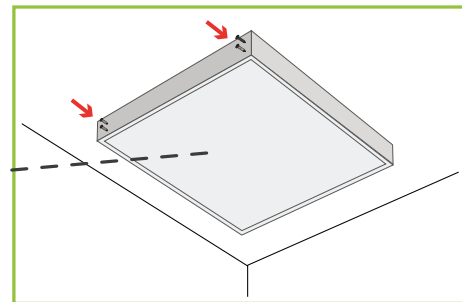
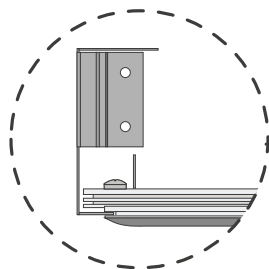
Connect three pieces together with screws (included)



2. Connect these 3 pieces of the frame to the ceiling using four screws.
3. Connect the panel wires.



Insert the panel into the frame.



4. Attach the 4th piece and secure with screws.
5. Turn on the main power. Installation is complete.

WWW.IUSEELITE.COM

+1 (323) 888-1973

WWW.IUSEELITE.COM

OEVHP-LED Series

FLANGE KIT OPTIONS

1'X4'



FK14

2'X4'



FK24

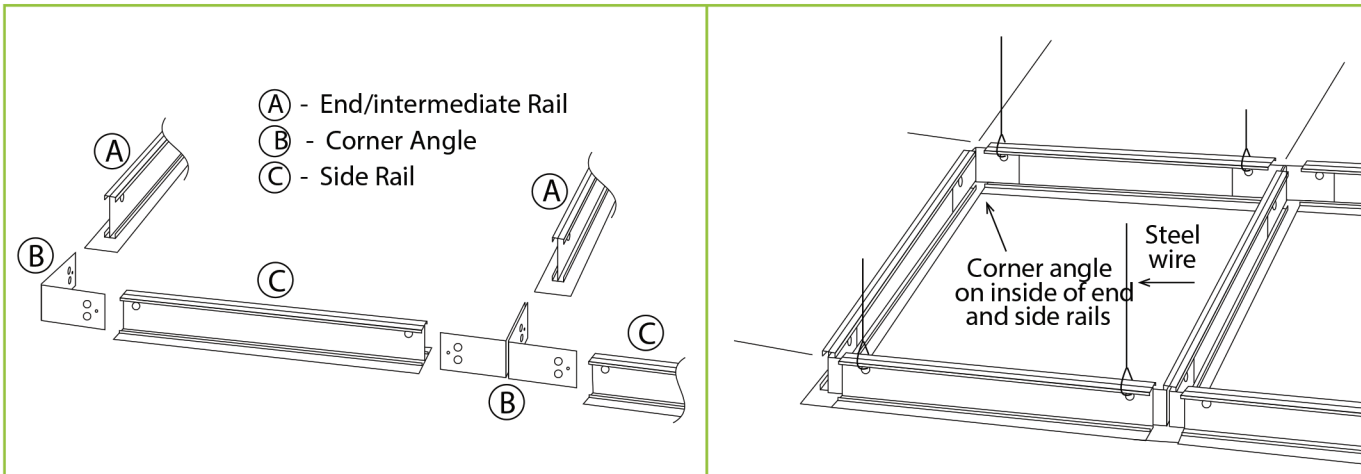
2'X2'



FK22

INSTALLATION

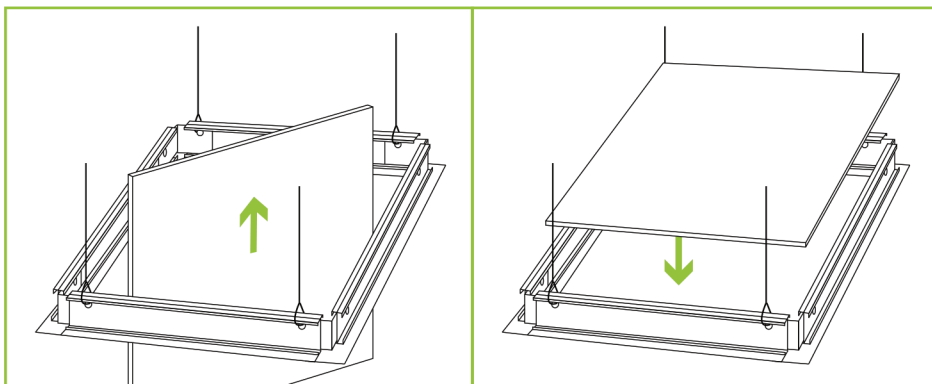
DRYWALL FLANGE KIT INSTALLATION



1. Following the picture above, slide part B into the inboard side of parts C and A as shown.
2. Place assembled frame into a ceiling opening and add steel wires for support as pictured below.

Note:

For best results, attach supporting steel wires going into the ceiling to sides of frame after assembly.
End rail can be used as intermediate rail for tandem row.



After wiring fixture, carefully slide it through ceiling opening, rotate and drop fixture into place.