

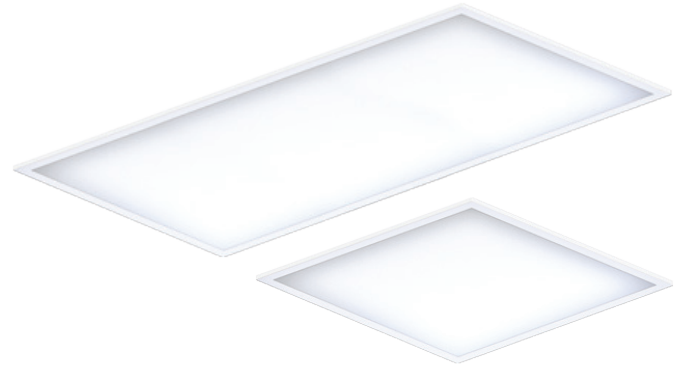


FPL-BL-LED Series

Back-lit LED Plat Panel

SIZE	1'X4'	2'X2'	2'X4'
LUMEN	2000/3000/4000	2000/3000/4000	3000/4000/5000
CCT	35K/40K/50K		
COLOR QUALITY	3-Step MacAdam Ellipse		
CRI	85+		
MOUNTING	Recessed(Standard) Suspended, Surface Mount (Optional)		
DIMMING	0-10V Flicker Free 10% Dimming Standard (DIM10)		
LIFE TIME	L70 at 60,000 Hours		

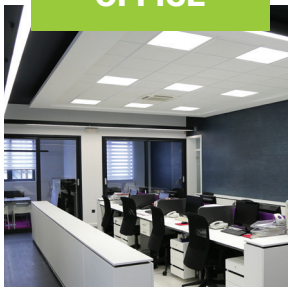
The FPL-BL LED back-lit flat panel is a cost-effective solution for general illumination in most interior environments. Features two field-adjustable multi-lumen and multi-CCT selector switches, making it easy to switch between different intensity and color temperature combinations in the field. One luminaire, multiple possibilities, perfect for offices, schools, healthcare, and retail applications.



MULTILUMEN
SELECTOR

EASY 3 COLORS
SELECTOR
3500K • 4000K • 5000K

OFFICE



EDUCATION



HEALTHCARE



RETAIL



Example: 24-FPL-BL-LED-3000/4000/5000L-DIM10-MVOLT-35K/40K/50K-85

FIXTURE SIZE	SERIES	TYPE	LUMENS	DIMMING	VOLTAGE	CCT	CRI	EMERGENCY	OTHER OPTIONS
22 - 2' X 2'	FPL-BL LED Flat Panel Backlit	LED	1X4	DIM10 - 0-10V Dimming	MVOLT	35K/40K/50K	85	0-EMG-LED-10W 0-EMG-LED-20W	USA - Made in America Compliance FK22, FK14, FK24 - Flange Kit 22-FPL1-LED-SMK - Surface Mount Kit 14-FPL1-LED-SMK 24-FPL1-LED-SMK
24 - 2' X 4'			2X2						
14 - 1' X 4'			2X4						
			3000/4000/5000L						



FPL-BL-LED Series

ORACLE
LIGHTING
WWW.IUSEELITE.COM
by Elite Lighting

Multi-Lumen + Multi-CCT selectors SWITCHES in one LED Luminaire Easy-to-use and install, cost-effective design.

Lumen and CCT selector switches are clearly visible and identifiable on side of fixture for easy adjustability. One switch controls CCT and another switch operates lumens, allowing the contractor to easily mix and match intensity and color temperature combinations in the field.



Easily change lumens in the field using the 3-lumen selector switch:

- 1'x4': 2000/3000/4000 lumens
- 2'x2': 2000/3000/4000 lumens
- 2'x4': 3000/4000/5000 lumens

35K

40K

50K

Easy 3-Color SeleCCTor in 35K/40K/50K makes it easy to achieve multiple environments with one luminaire. Adjust CCT levels in the field by using the 3-Color SeleCCTor switch.



Lumen and CCT selector switches are clearly visible and identifiable on side of fixture for easy adjustability. One switch controls CCT and another switch operates lumens, allowing the contractor to easily mix and match intensity and color temperature combinations in the field.

LED diodes are evenly spaced and individually covered with a patented LED optical system that disperses light in all directions for even distribution, which guarantees a fully luminous appearance.

Lightweight PMMA lens provides UV-resistance for non-yellowing and impact resistance. PMMA lens is secured tightly to frame with screws and doesn't shift or bend in high-impact environments.

Option for Flange Kits, Surface Mount and more.

WWW.IUSEELITE.COM

+1 (323) 888-1973

WWW.IUSEELITE.COM

FPL-BL-LED Series

ORACLE
LIGHTING
WWW.IUSEELITE.COM
by Elite Lighting

ADDITIONAL FEATURES

OPTICAL SYSTEM

LED diodes are evenly spaced and individually covered with a patented LED optical system that disperses light in all directions for even distribution, which guarantees a fully luminous appearance.

MAINTENANCE

The center acrylic diffuser is secured tightly to the body with screws, so the lens will not detach from the fixture when undergoing cleaning, in multi-storied spaces, or in high-vibration and high-movement areas. The center acrylic diffuser can be removed, allowing easy access to LED boards and driver.

CONSTRUCTION

Durable, post-painted 18-gauge long-lasting aluminum frame. Lightweight PMMA lens provides UV-resistance for non-yellowing and impact resistance. PMMA lens is secured tightly to frame with screws and doesn't shift or bend in high-impact environments. Utilizing screws is much more durable than glue, which is typically used with LED flat panels and overheats and dries out. LEDs are wired in parallel, allowing all LED diodes to continue to illuminate in case 1 LED diode burns out.

MOUNTING

Accommodates lay-in ceilings, Slot T, and T-bar suspension systems for 5/8" and 3/8" ceiling widths. Mounting hardware included. Shipped standard with four corner tie points and built-in earthquake clips.

OPTIONS

Luminaires can be shipped pre-installed with whips and modular wiring systems. Consult factory for details. Available with factory-installed 90-min. battery backup. Options for flange kits, surface mount kits, and more.

DRIVER ELECTRICAL INFORMATION

Powered by high-quality constant-current power LED drivers which are rated for 50 to 60Hz at 120/277V input, produce less than 20% THD, and have a power factor of .90 to 1.00.

DIMMING & DRIVER INFORMATION

DIM10 Flicker Free 10% Dimming Standard (DIM10) 0-10V dimming on either MVOLT 120 or 277V.

WARRANTY

Five-year warranty for parts and components. (Labor not included)

LISTINGS

c-UL-us - Listed for Feed Through Wiring. Listed for DLC, California Title 24 compliant.

WWW.IUSEELITE.COM

+1 (323) 888-1973

WWW.IUSEELITE.COM

FPL-BL-LED Series

ORACLE
LIGHTING
WWW.IUSEELITE.COM
by Elite Lighting

FLANGE KIT OPTIONS

1'X4'



FK14

2'X4'



FK24

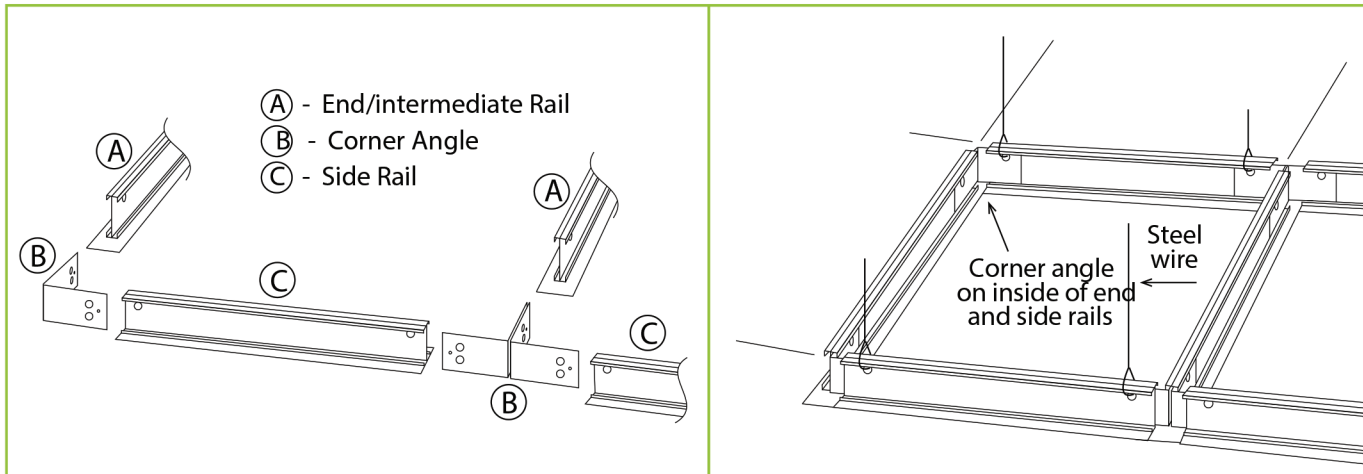
2'X2'



FK22

INSTALLATION

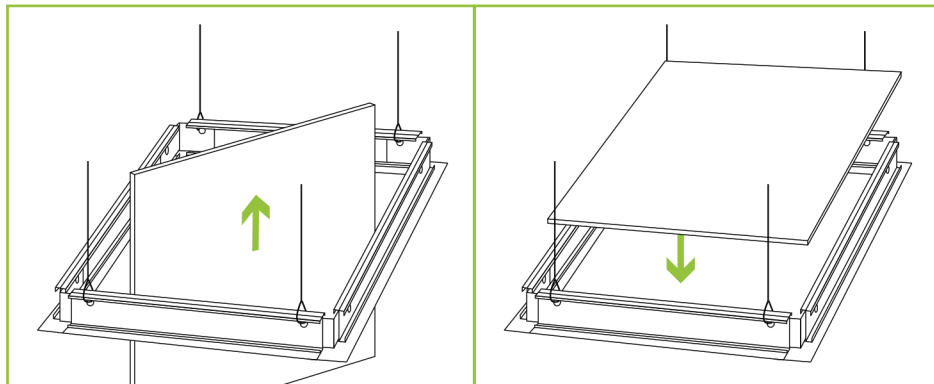
DRYWALL FLANGE KIT INSTALLATION



1. Following the picture above, slide part B into the inboard side of parts C and A as shown.
2. Place assembled frame into a ceiling opening and add steel wires for support as pictured below.

Note:

For best results, attach supporting steel wires going into the ceiling to sides of frame after assembly.
End rail can be used as intermediate rail for tandem row.



After wiring fixture, carefully slide it through ceiling opening, rotate and drop fixture into place.

WWW.IUSEELITE.COM

+1 (323) 888-1973

WWW.IUSEELITE.COM

FPL-BL-LED Series

ORACLE
LIGHTING
WWW.IUSEELITE.COM
by Elite Lighting

SURFACE MOUNT KIT OPTIONS

1'X4'



14-FPL1-LED-SMK

2'X4'



24-FPL1-LED-SMK

2'X2'



22-FPL1-LED-SMK

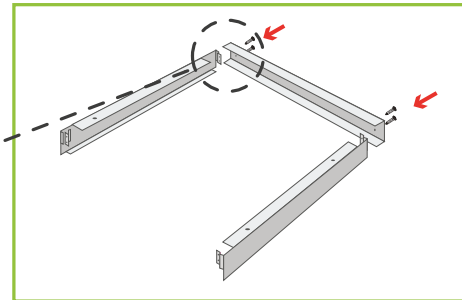
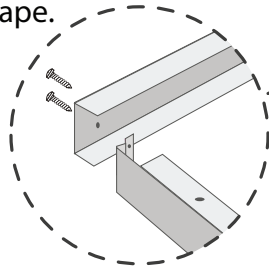
INSTALLATION

SURFACE MOUNT INSTALLATION

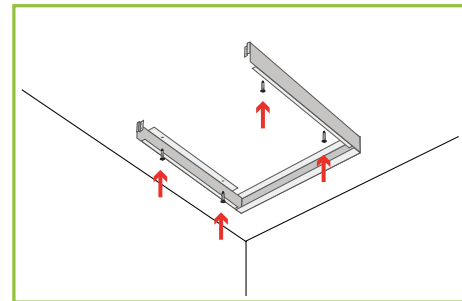
Wall/ceiling mount:

1. Arrange 3 side frames together in a U shape.

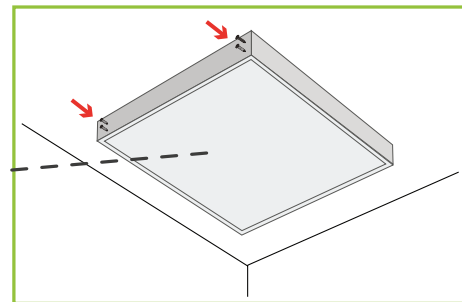
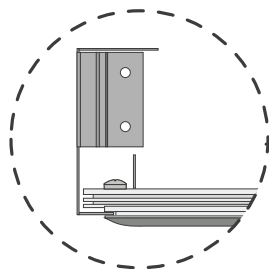
Connect three pieces together with screws (included)



2. Connect these 3 pieces of the frame to the ceiling using four screws.
3. Connect the panel wires.



Insert the panel into the frame.



4. Attach the 4th piece and secure with screws.
5. Turn on the main power. Installation is complete.

WWW.IUSEELITE.COM

+1 (323) 888-1973

WWW.IUSEELITE.COM