



SAFETY INSTRUCTIONS

1. Do not use outdoors. 2. Equipment should be mounted securely in locations and at heights where it will not be readily subjected to tampering by unauthorized personnel. 3. Do not mount near gas or electric heaters. 4. Cap unused wires with enclosed wire nuts or other approved method. 5. Do not use this equipment for anything other than its intended use. 6. The use of accessory equipment not recommended by the manufacturer will void product listing and warranty and may cause an unsafe condition. 7. Use caution when servicing batteries. 8. Any service on this equipment should be performed by qualified personnel only. 9. Make sure wire terminations are secure and leads are properly tucked in appropriate wire channels.

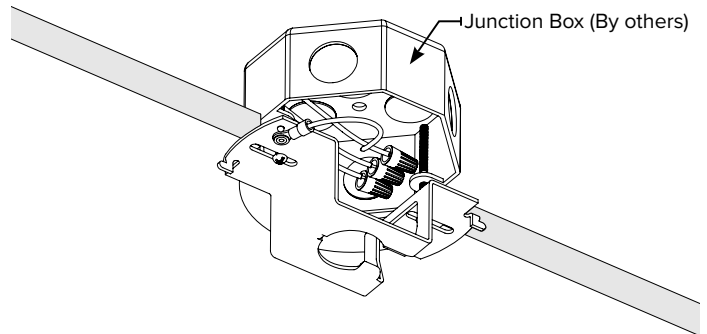


Caution:

Disconnect AC power before servicing and installation. All electrical connections must be in accordance with NEC/CEC or your local code.

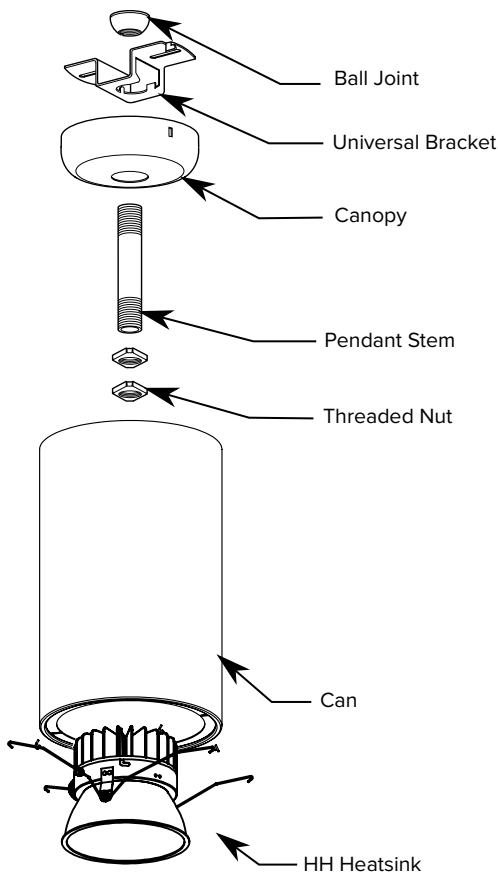
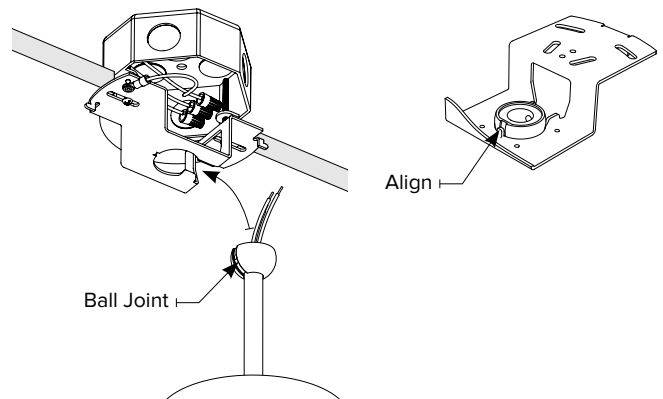
2.

Attach universal mounting bracket to junction box (by others) using hardware supplied.



3.

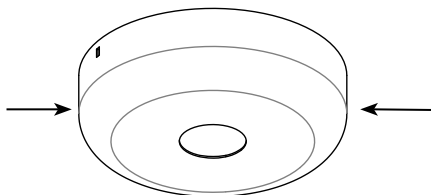
Insert ball joint through opening on universal mounting bracket and then align the groove on the ball joint with the tab on the universal mounting bracket..



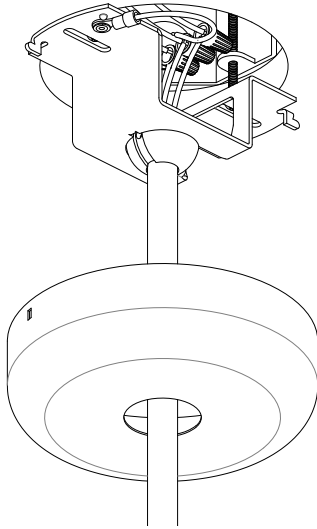
INSTALLATION

1.

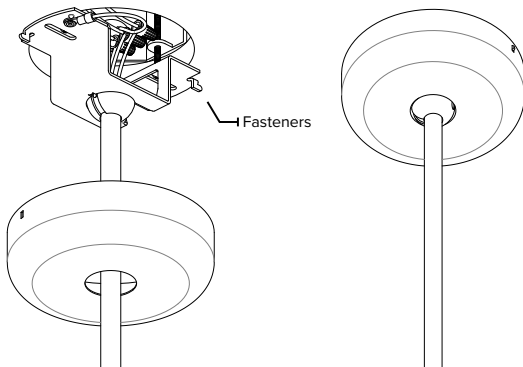
Squeeze the sides of the canopy to slide the canopy off the universal mounting bracket and remove it



- 4.**
Make electrical connections inside of universal mounting bracket.
Use wiring diagram as reference

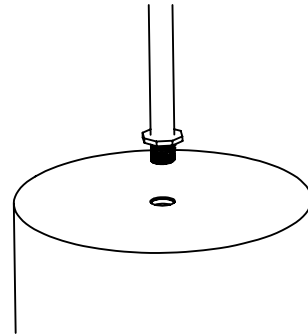


- 5.**
Slide canopy up and align with the fasteners on the universal mounting bracket. Ensure canopy fastens over both mounting bracket fasteners.



*Maximum swivel degree: 40 degrees vertically

- 6.**
Screw threaded nut to threaded pendant stem, and then feed it through the hole and screw the second threaded nut inside the can.



- 7.**
Squeeze the torsion springs and insert them into the slot bracket. Push up the recessed downlight.

