



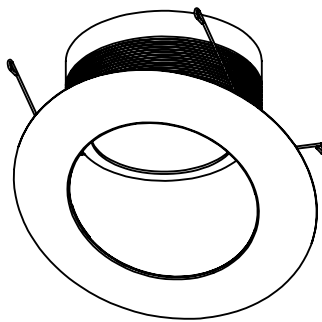
SAFETY INSTRUCTIONS

1. Do not use outdoors. 2. Equipment should be mounted securely in locations and at heights where it will not be readily subjected to tampering by unauthorized personnel. 3. Do not mount near gas or electric heaters. 4. Cap unused wires with enclosed wire nuts or other approved method. 5. Do not use this equipment for anything other than its intended use. 6. The use of accessory equipment not recommended by the manufacturer will void product listing and warranty and may cause an unsafe condition. 7. Use caution when servicing batteries. 8. Any service on this equipment should be performed by qualified personnel only. 9. Make sure wire terminations are secure and leads are properly tucked in appropriate wire channels. **CONSULT A QUALIFIED ELECTRICIAN BEFORE INSTALLING**

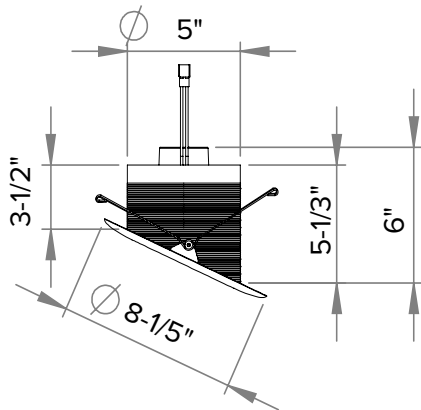


Caution:

Disconnect AC power before servicing and installation. All electrical connections must be in accordance with NEC/CEC or your local code.



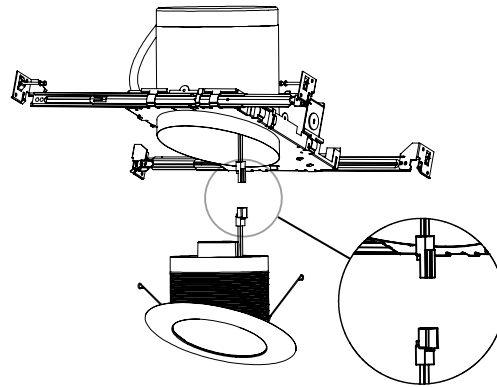
DIMMENSION



INSTRUCTION STEPS

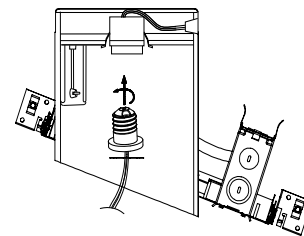
1. Remove existing trim installed in recessed housing (if necessary).

2. Connect the orange connectors together.

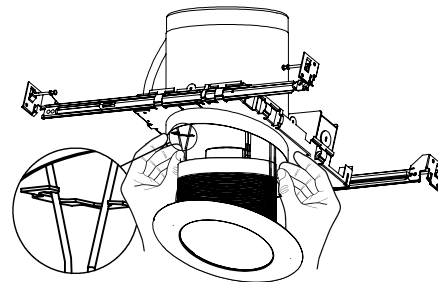


EDISON BASE (IF NEEDED)

2A. Install adapter into edison base socket and then connect the orange connectors.



3. Insert torsion springs into fixture brackets.



4. Gently push up trim and torsion springs so they begin to expand.