



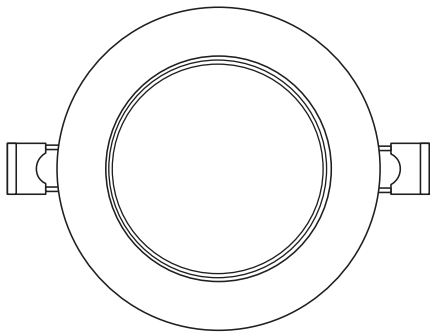
SAFETY INSTRUCTIONS

1. Do not use outdoors. 2. Equipment should be mounted securely in locations and at heights where it will not be readily subjected to tampering by unauthorized personnel. 3. Do not mount near gas or electric heaters. 4. Cap unused wires with enclosed wire nuts or other approved method. 5. Do not use this equipment for anything other than its intended use. 6. The use of accessory equipment not recommended by the manufacturer will void product listing and warranty and may cause an unsafe condition. 7. Use caution when servicing batteries. 8. Any service on this equipment should be performed by qualified personnel only. 9. Make sure wire terminations are secure and leads are properly tucked in appropriate wire channels. **CONSULT A QUALIFIED ELECTRICIAN BEFORE INSTALLING**



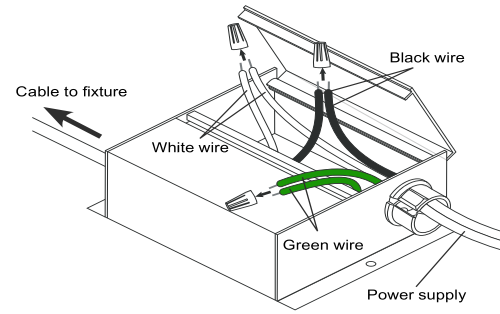
Caution:

Disconnect AC power before servicing and installation. All electrical connections must be in accordance with NEC/CEC or your local code.

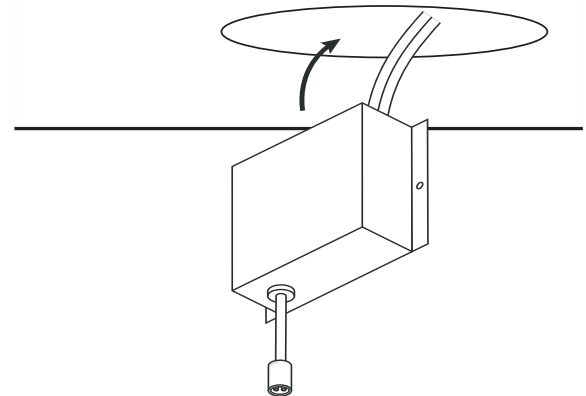


Cutout Size

Fixture	Hole Size
RL475-5CCT	4-1/4" (108 mm)
RL575-5CCT	5-1/4" (132mm)



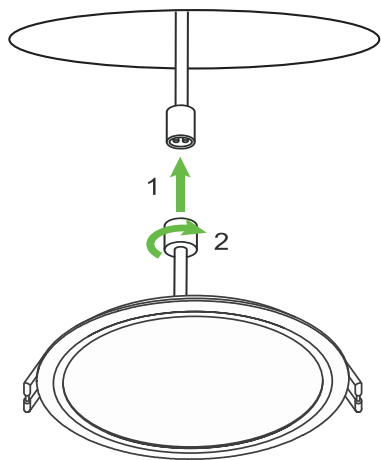
4. Place all wiring and connections back into the box and close the cover. Once you have done this insert the driver through the mounting hole. (The driver can be installed off to the side or it can be secured to a joist,stud, etc...)



5. Connect the fixture to the hardwire box by inserting and twisting the male/female connectors

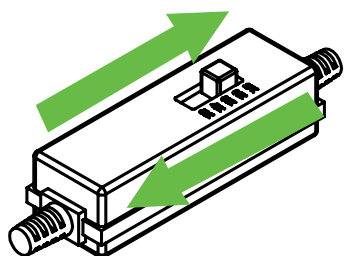
INSTALLATION STEPS

- 1.** Open the hardwire box swing cover and remove the appropriate knockout(s).
- 2.** Insert the electrical supply cable through the knockout and secure with a cable connector (sold separately).
- 3.** Using wire nuts, connect Load to Black, Neutral to White and Ground to Green.



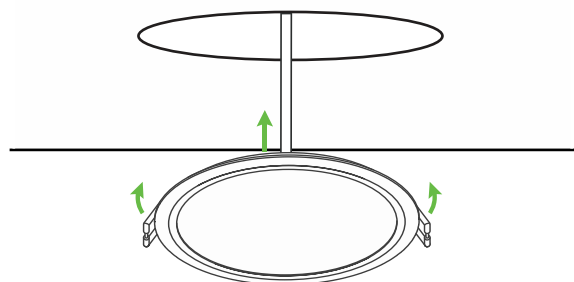
6.

Select the desired Color Temperature by using the CCT switch



7.

Push spring loaded clips on the fixture upwards and insert fixture base into the mounting hole. Release the clips and fixture will be pulled flush to the ceiling



8.

Once assembly is complete; turn the power on to confirm fixture is working properly.