



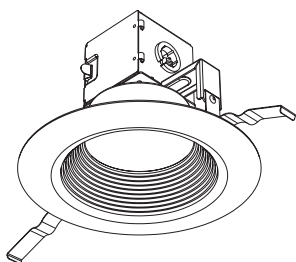
SAFETY INSTRUCTIONS

1. Do not use outdoors. 2. Equipment should be mounted securely in locations and at heights where it will not be readily subjected to tampering by unauthorized personnel. 3. Do not mount near gas or electric heaters. 4. Cap unused wires with enclosed wire nuts or other approved method. 5. Do not use this equipment for anything other than its intended use. 6. The use of accessory equipment not recommended by the manufacturer will void product listing and warranty and may cause an unsafe condition. 7. Use caution when servicing batteries. 8. Any service on this equipment should be performed by qualified personnel only. 9. Make sure wire terminations are secure and leads are properly tucked in appropriate wire channels.



Caution:

Disconnect AC power before servicing and installation. All electrical connections must be in accordance with NEC/CEC or your local code.

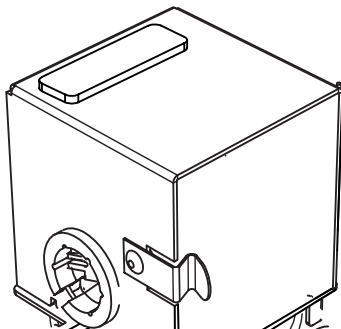


FIXTURE INSTRUCTIONS

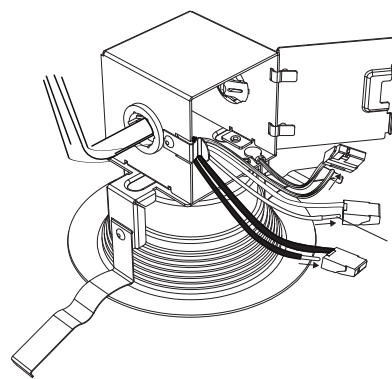
1. Turn off all the power before install the fixture, this fixture can be installed in IC.
2. Using the template or reference dimensions provided below, draw a circular pattern of holes in the ceiling according to the lighting layout requirements.

PRODUCT MODEL NUMBER	CUTOUT DIMMENSION
RJL437	4-1/2"
RJL537	5-1/4"
RJL637	6-1/2"

3. Use a suitable saw to cut a circular pattern on the ceiling.
4. Adjust switch for desired color temperature.

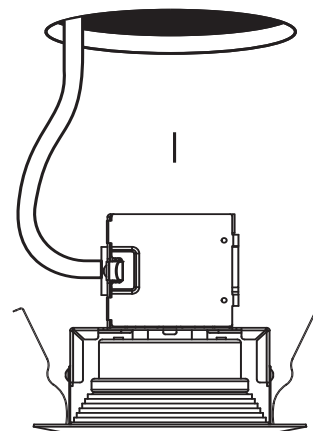


5. Connect the power cord to the junction box through the cable buckle, and then connect all connections in the junction. Carefully push the wire back to the junction ox, close the cover, make sure it is in the proper position.



Note: 90° C wires are allowed in the junction box, up to 4 12AWG wires.

6. Pinch the springs together and clip them through the ceiling hole. Release the spring clip and gently push the lamp into the ceiling hole until it fits the ceiling.



7. Check the installation and confirm whether the lamp is safe.